

INSTRUCTIONS

FIELD-ADJUSTABLE YBLED® INSTALLATION

RAB®

RAB Lighting is committed to creating high-quality, affordable, well-designed and energy-efficient LED lighting and controls that make it easy for electricians to install and end users to save energy. We'd love to hear your comments. Please call the Marketing Department at 888-RAB-1000 or email: marketing@rablighting.com



IMPORTANT

READ CAREFULLY BEFORE INSTALLING FIXTURE. RETAIN THESE INSTRUCTIONS FOR FUTURE REFERENCE.

RAB fixtures must be wired in accordance with the National Electrical Code and all applicable local codes. Proper grounding is required for safety. THIS PRODUCT MUST BE INSTALLED IN ACCORDANCE WITH THE APPLICABLE INSTALLATION CODE BY A PERSON FAMILIAR WITH THE CONSTRUCTION AND OPERATION OF THE PRODUCT AND THE HAZARDS INVOLVED.

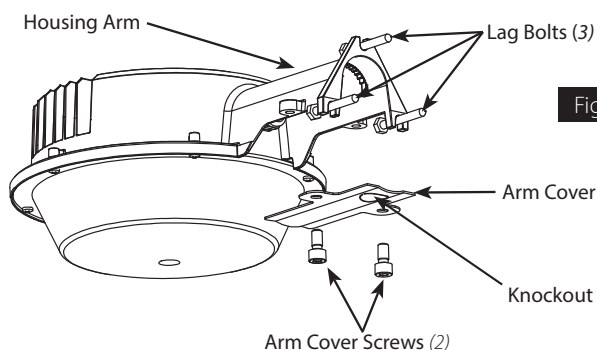
WARNING: Make certain power is OFF before installing or maintaining fixture. No user serviceable parts inside.
The fixture is suitable for wet locations as a downlight only.

LOCATION

Select a location on a structurally sound, flat wall or pole. Fixture should be located on wall or pole at least 18" below any overhang or other structural detail. Fixture must not be recessed.

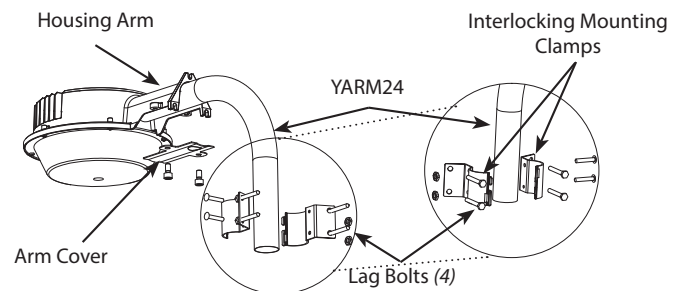
MOUNTING TO WALL

1. Secure the fixture to a sturdy wall. Using the **Housing Arm** as a guide, mark the 3 mounting holes. Drill 3/16" pilot holes and use (3) provided **Lag Bolts** to mount to wooden surface or use appropriate mounting hardware (*not supplied*) suitable for the mounting surface.
2. Install the 2 bottom **Lag Bolts** first. Screw in the **Lag Bolts** so that there is about 3/8" of space under the head (*Fig. 1*).
3. Place the fixture on these 2 bottom **Lag Bolts**. Install the top **Lag Bolt** then tighten the other 2 bolts.
4. Loosen **Arm Cover Screws** (2) and remove the **Arm Cover**.
5. If using conduit, remove **Knockout** on the **Arm Cover** to route input conduit. Use appropriate conduit connectors as required by code. Connect wires as shown in wiring diagram (*Fig. 6*). Push all wires back into the **Housing Arm**. Be careful not to pinch wires.
6. Secure the **Arm Cover** and tighten **Screws** (2).
7. Apply weatherproof silicone sealant around the edge of the **Housing Arm** where it meets the wall. This is especially important with an uneven wall surface.



YARM24 MOUNTING

1. Secure the **Interlocking Mounting Clamps** around the **YARM24** using the provided clamp screws, lock washers and hex-nuts (*Fig. 2*).
2. Mount the **YARM24** to a sturdy wall. Using the **YARM24** mounting plate as a guide, mark the 4 mounting holes. Drill 3/16" pilot holes and use provided **Lag Bolts** (4) to mount to wooden surface or use appropriate mounting hardware (*not supplied*) suitable for the mounting surface.
3. Make the necessary wiring connections in the **Housing Arm**. Connect wires as shown in wiring diagram. Push all wires back into the **Housing Arm**. Be careful not to pinch wires.
4. Secure **Arm Cover** and tighten the (2) **Screws**.



INSTRUCTIONS

FIELD-ADJUSTABLE YBLED® INSTALLATION



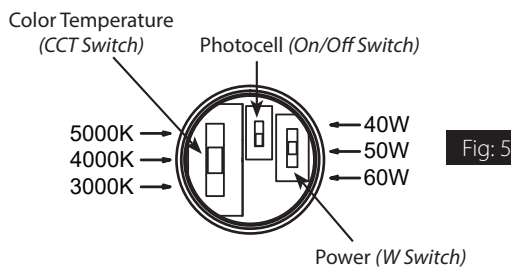
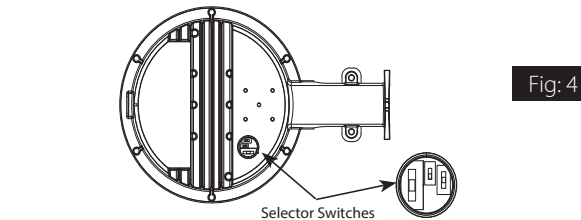
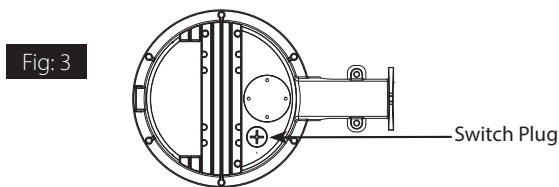
RAB Lighting is committed to creating high-quality, affordable, well-designed and energy-efficient LED lighting and controls that make it easy for electricians to install and end users to save energy. We'd love to hear your comments. Please call the Marketing Department at 888-RAB-1000 or email: marketing@rablighting.com

FIELD ADJUSTMENT

Follow instructions below to change Power (W), Color Temperature (CCT) and/or Photocell operation,

Factory Settings: 60W / 4000K, Photocell is set to the OFF position.

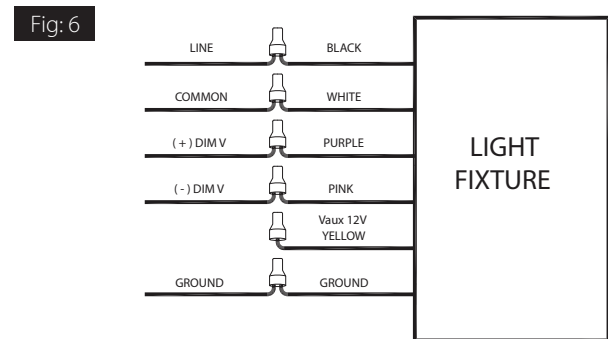
1. Using a flathead screwdriver remove the **Switch Plug** located on the back of the housing (Fig. 3).
2. Locate the **Selector Switches** (Fig. 4).
3. Select **Power (W)**, **Color Temperature (CCT)** and/or **Photocell** option by sliding the respective switch to the desired value as shown in Fig. 5.



0-10V DIMMABLE WIRING

Universal voltage driver permits operation at 120V through 277V, 50 or 60 Hz. For 0-10V dimming follow the wiring directions as shown in Fig. 6.

1. Connect the black fixture lead to the LINE supply lead.
2. Connect the white fixture lead to the **COMMON** supply lead.
3. Connect the **GROUND** wire from fixture to supply **GROUND**.
4. Connect the purple fixture lead to the (V+) DIM lead.
5. Connect the pink fixture lead to the (V-) DIM lead.
6. Cap the yellow fixture lead if present. Do NOT connect.



CLEANING & MAINTENANCE

CAUTION: Be sure fixture temperature is cool enough to touch. Do not clean or maintain while fixture is energized.

1. Clean polycarbonate refractor with non-abrasive cleaning solution.
2. Do not open the fixture to clean the LED. Do not touch the LED.

TROUBLESHOOTING

1. Check that the line voltage at the fixture is correct. Refer to wiring directions.
2. Is the fixture grounded properly?
3. Be sure the photocell is functioning properly?

ACCESSORIES

24" Yardblaster Arm: **YARM24**

Note: These instructions do not cover all details or variations in equipment nor do they provide for every possible situation during installation, operation or maintenance.



Easy Answers

rablighting.com
Visit our website for product info

Tech Help Line
Call our experts: 888 722-1000

e-mail
Answered promptly - sales@rablighting.com

Free Lighting Layouts
Answered online or by request