

STEEL-LOCKNUTS



Application

- For use in dry locations on threaded Rigid/IMC conduit to secure conduit to a box or enclosure

Product Features

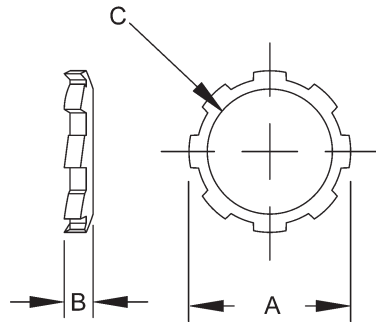
- All steel construction insures mechanical protection
- Zinc electro plated for corrosion protection

Compliances

-  – Standard 514B
-  – C22.2 #18



Locknuts
Steel



A = O.D.
B = Thickness
C = Thread size

ORDERING INFORMATION - DIMENSIONS

LOCKNUTS - STEEL

CATALOG NUMBER	TRADE SIZE	UNIT CTN. QTY.	SHIP CTN. QTY.	UPC BAR CODE
1001	3/8"	100	1000	—
1002	1/2"	100	1000	—
1003	3/4"	100	1000	—
1004	1"	—	100	—
1005	1-1/4"	—	50	—
1006	1-1/2"	—	50	—
1008	2"	—	50	—
1010	2-1/2"	—	30	—
1012	3"	—	25	—
1014	3-1/2"	—	15	—
1016	4"	—	10	—
1020	5"	—	8	—
1024	6"	—	8	—

DIMENSIONS

CATALOG NUMBER	A	B	C THD. SPEC.
1001	7/8"	5/32"	3/8"-18 NPT
1002	1-9/64"	5/32"	1/2"-14 NPT
1003	1-27/64"	11/64"	3/4"-14 NPT
1004	1-49/64"	13/64"	1"-11-1/2 NPT
1005	2-9/32"	7/32"	1-1/4"-11-1/2 NPT
1006	2-19/32"	7/32"	1-1/2"-11-1/2 NPT
1008	3-11/64"	15/64"	2"-11-1/2 NPT
1010	3-9/16"	3/8"	2-1/2"- 8 NPT
1012	4-1/4"	3/8"	3"- 8 NPT
1014	4-13/16"	3/8"	3-1/2"- 8 NPT
1016	5-13/32"	3/8"	4"- 8 NPT
1020	6-43/64"	1/2"	5"- 8 NPT
1024	7-15/16"	9/16"	6"- 8 NPT