



Products

- › Index
- › Featured Products
- › Cross Reference
- › UPC Search

Product Datasheet

[Catalog Home](#) [Home Page](#)

[Search](#)

1201 -- Lightweight Conduit Locknut 4" Trade Size



Product Specifications

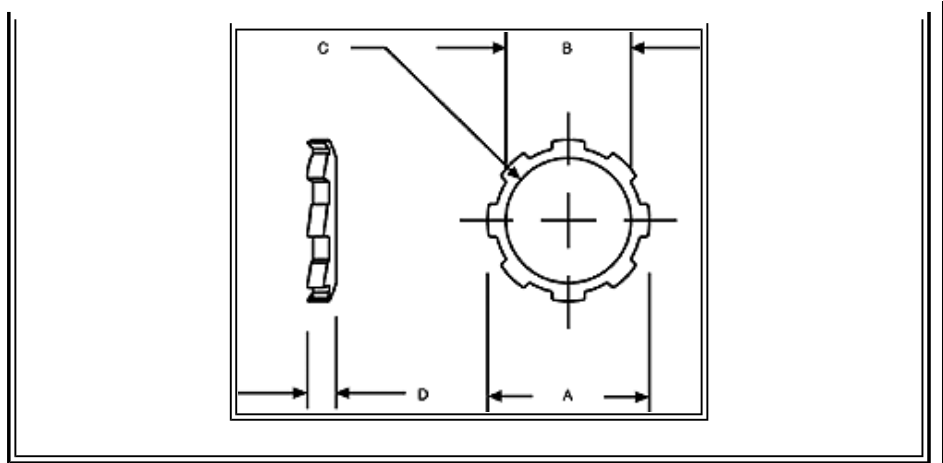
Family	Rigid and IMC Fittings
Fittings Classification	Locknuts
Trade Size	4"
Standard Packaging	Carton
Ship Carton Length	5.75
Ship Carton Width	5.75
Ship Carton Height	4.5
WT. PER HU.	25.6
Dimension A	5-1/4"
Dimension B	4-3/8"
Thread Spec. C	4-8 NPSM
Dimension D	5/16"
Unit Carton Quantity	10
Ship Carton Quantity	10
UPC Number	050169012017
Product UPC-A Labeled	No
Catalog PDF Page	PDF Catalog Page

Applications

- For use in dry locations on threaded rigid/IMC conduit to secure conduit to a box or enclosure

Product Features

- All steel construction insures mechanical protection
- Zinc electro plated for corrosion protection



[Login](#) | [Privacy](#) | [Site Map](#)

© 2003 RACO - a hubbell company. All right reserved.