

OCTAGON AND ROUND COVERS

RACO STEEL BOXES & COVERS

Applications

- Covers are used to close an outlet box
- Switches or receptacles may be installed into octagon boxes by using covers 729 or 731
- Raised covers are used for mounting lighting fixtures
- 5" Round closure plates are designed for use in dry locations for closure at unused ceiling outlets

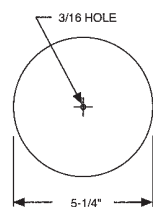
Product Features

- 5" Round covers feature state-of-the-art powder coat paint finish which provides a light texture finish and scratch resistance
- Swivel cover restricted to 20° swing from vertical
- KWIK-HANG® allows easy installation of high bay lighting fixtures. Fixture nests in cover while wiring is completed

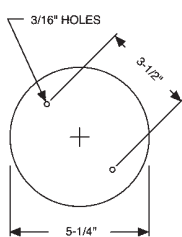


ROUND CLOSURE PLATES

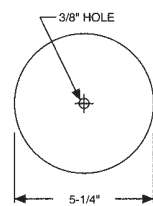
CAT. NO. 5652-1



CAT. NO. 5653-1



CAT. NO. 5654-1



Compliance

- UL – File E195978
- SF – File LR-1082 (722, 729, 731)

ORDERING INFORMATION - DIMENSIONS

4" OCTAGON AND ROUND COVERS						
CATALOG NUMBER	DESCRIPTION	CU. IN.	STD. PKG.	UPC BAR CODE	RECOMMENDED MAX. SUPPORT LOADS	
					CEILING FAN (DYNAMIC) LBS.	FIXTURE (STATIC) LBS.
722	Flat, blank	—	50	—	No	No
8722-5	Flat, blank	—	50*		No	No
724	Flat, 1/2" KO	—	50		No	No
8724-5	Flat, 1/2" KO	—	50*		No	No
729	Flat, toggle switch	—	50		No	No
731	Flat, duplex receptacle	—	25		No	No
8731-5	Flat, duplex receptacle	—	50*		No	No
737	Raised 1/2", open, ears 2-3/4" O.C.	3.3	25		No	50
727	Raised 5/8", open, ears 2-3/4" O.C.	3.8	25		No	50
732	Raised 1", open, ears 2-3/4" O.C.	6.5	25	—	No	50

*5 Bundles of 10

SWIVEL FIXTURE, SUPPORT COVERS						
CATALOG NUMBER	DESCRIPTION	STD. PKG.	UPC BAR CODE	RECOMMENDED MAX. SUPPORT LOADS		
				CEILING FAN (DYNAMIC) LBS.	FIXTURE (STATIC) LBS.	
894	KWIK-HANG®, For 3-1/2" or 4" octagon boxes, 1/2" or 3/4" conduit	25		No	50	
895	For 3-1/2" or 4" octagon boxes, 1/2" or 3/4" conduit	25		No	50	

5" ROUND STEEL CLOSURE PLATES					
CATALOG NUMBER	COLOR	DESCRIPTION TYPE	PKG. PKG.	STD. BAR CODE	UPC
5652-1	Off-white	Screw & universal mount strap	Shrink	10	—
5653-1	Off-white	(2) 8-32 screws, direct mount to fixture outlet box	Shrink	10	—
5654-1	Off-white	Fixture stud & universal mount strap	Shrink	10	—



Applications


- Boxes are installed in walls or ceilings for lighting fixtures, switches or receptacles
- Square boxes are used where multiple conductor runs are split into two or more directions to bring power to a number of electrical devices
- Drawn boxes are ideal for exposed work applications

Product Features

- Combination screw heads provide for faster installation
- Thru-the-wall box is designed for shallow wall applications and allows for attachment of wall plate to both faces of box
- TKO® knockouts offer greater flexibility with RACO® patented combination 1/2" and 3/4" knockout
- TKO® knockouts allow for design and installation flexibility
- UBS Support - Welded to box, preset bend points to work with wall thickness 2-1/2" to 6"
- Red boxes, covers and extensions for dedicated life safety alarm circuits

Compliances

-  – File E195978

 All RACO® single gang, two gang, 4" square, and single gang gangable U.L. listed steel boxes are acceptable for use in 2-hour fire rated walls. For additional information, consult U.L. "Fire Resistance Directory" or the U.L. website at www.ul.com

600V Per U.L. 514-A, suitable for use without a bonding jumper in circuits up to 600 volts



ORDERING INFORMATION - DIMENSIONS

4" SQUARE – 1-1/4" DEEP (INSIDE) – DRAWN WITH CONDUIT KO'S – 18.0 CUBIC INCHES

CATALOG NUMBER	UBS FAR SIDE SUPPORT	KNOCKOUTS		STD. PKG.	RAISED GROUND PROVISION	PIG-TAIL	UPC BAR CODE
		SIDES COND.	BOTTOM COND.				
185	—	10-1/2"	5-1/2"	50	No	No	

4" SQUARE – 1-1/2" DEEP (INSIDE) – DRAWN WITH CONDUIT KO'S – 21.0 CUBIC INCHES

CATALOG NUMBER	UBS FAR SIDE SUPPORT	KNOCKOUTS		STD. PKG.	RAISED GROUND PROVISION	PIG-TAIL	UPC BAR CODE
		SIDES	BOTTOM				
		COND.	COND.				
190	—	12-1/2"	4-1/2"	50	Yes	No	
8190	—	12-1/2"	4-1/2"	50	Yes	No	
191	—	8-3/4"	1-1/2", 3-3/4"	50	Yes	No	
8191	—	8-3/4"	1-1/2", 3-3/4"	25	Yes	No	
192	—	8-1/2", 4-3/4"	2-1/2", 2-3/4"	50	Yes	No	
8192	—	8-1/2", 4-3/4"	2-1/2", 2-3/4"	50	Yes	No	
192SM	—	8-1/2", 4-3/4"	2-1/2", 2-3/4"	50	Yes	Yes	

4" SQUARE – 1-1/2" DEEP (INSIDE) – WELDED WITH CONDUIT KO'S – 21.0 CUBIC INCHES

CATALOG NUMBER	UBS FAR SIDE SUPPORT	KNOCKOUTS		STD. PKG.	RAISED GROUND PROVISION	PIG-TAIL	UPC BAR CODE
		SIDES COND.	BOTTOM COND.				
181	—	8-3/4"	1-1/2", 4-3/4"	50	No	No	—
600V 189	—	8-1/2", 4-TKO®	2-1/2", 2-TKO®	50	Yes	No	—
600V 8189	—	8-1/2", 4-TKO®	3-1/2", 2-TKO®	50	No	No	
600V 189SM	—	8-1/2", 4-TKO®	2-1/2", 2-TKO®	50	Yes	Yes	—
600V 189F	Yes	8-1/2", 4-TKO®	2-1/2", 2-TKO®	50	Yes	Yes	—
600V 911-9	—	8-1/2", 4-TKO®	3-1/2", 2-TKO®	50	No	No	—

4" SQ. – THRU-THE-WALL BOX – 1-1/2" DEEP (INSIDE) – DRAWN WITH CONDUIT KO'S – 22.5 CU. IN.

CATALOG NUMBER	UBS FAR SIDE SUPPORT	KNOCKOUTS		CU. IN.	STD. PKG.	PIG-TAIL	UPC BAR CODE
		SIDES COND.	BOTTOM COND.				
204	—	8-1/2", 4-3/4"	—	22.5	50	No	—

 4714, THE INSIDER® will secure nonmetallic sheathed cable in 1/2" KO (See pg. B87)

4" SQUARE BOXES

1-1/2" DEEP/CONDUIT

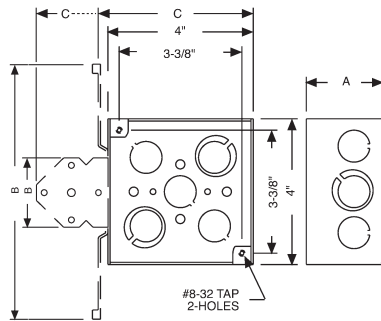
Applications

- Boxes are installed in walls or ceilings for lighting fixtures, switches or receptacles
- Square boxes are used where multiple conductor runs are split into two or more directions to bring power to a number of electrical devices

Product Features

- Reference Box Selection section in the front of this catalog for complete description of bracket types and features
- BOX-LOC® (MS) Bracket Box is a snap to install. Place the bracket on the open side of the stud first. Slots in the bracket engage the lip of the stud and actually crimp it as you press the bracket on the stud. Barbed hooks dig into the flat side of the stud, quickly locking it in place
- TKO® knockouts offer greater flexibility with RACO® patented combination 1/2" and 3/4" knockout
- UBS Support - Welded to box, preset bend points to work with wall thickness 2-1/2" to 6"

4" SQUARE BOXES

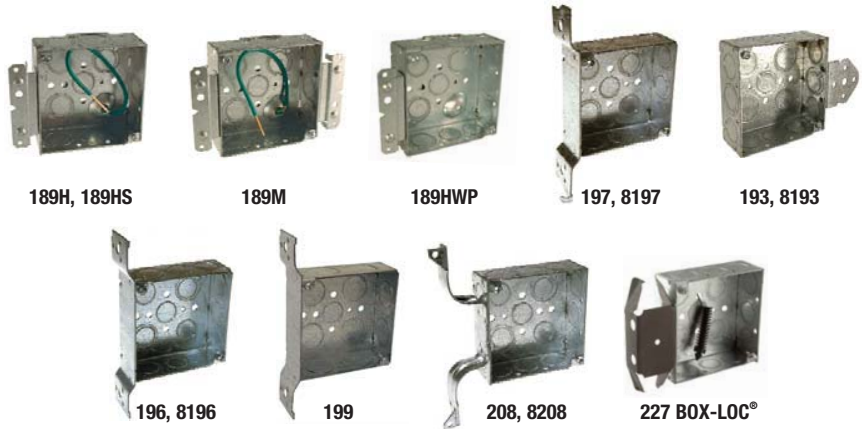


Compliances

- UL – File E195978

All RACO® single gang, two gang, 4" square, and single gang gangable U.L. listed steel boxes are acceptable for use in 2-hour fire rated walls. For additional information, consult U.L. "Fire Resistance Directory" or the U.L. website at www.ul.com

600V Per U.L. 514-A, suitable for use without a bonding jumper in circuits up to 600 volts



RACO STEEL BOXES & COVERS

ORDERING INFORMATION - DIMENSIONS

4" SQUARE BRACKETED BOXES – 1-1/2" DEEP – WELDED WITH CONDUIT KO'S – 21.0 CUBIC INCHES

CATALOG NUMBER	DESCRIPTION BRACKET & SETBACK	KNOCKOUTS		STD. PKG.	UBS SUP-PORT	PIG-TAIL	RSD. GRND. PRVSN.	UPC BAR CODE
		SIDES	BOTTOM					
		COND.	COND.					
600V 189H	HM	6-1/2", 3 – TKO®	2-1/2", 2 – TKO®	20	Yes	Yes	Yes	—
600V 189HS*	HM	6-1/2", 3 – TKO®	2-1/2", 2 – TKO®	20	Yes	Yes	Yes	—
600V 189M	HM	4-1/2", 2 – TKO®	2-1/2", 2 – TKO®	20	Yes	Yes	Yes	—
600V 189HWP	HM	6-1/2", 3 – TKO®	2-1/2", 2 – TKO®	20	Yes	No	Yes	—
600V 193	B, flush	6-1/2", 3 – TKO®	3-1/2", 2 – TKO®	25	—	No	—	—
600V 8193	B, flush	6-1/2", 3 – TKO®	3-1/2", 2 – TKO®	10	—	No	—	
600V 196	FM, flush	6-1/2", 3 – TKO®	3-1/2", 2 – TKO®	25	—	No	—	—
600V 8196	FM, flush	6-1/2", 3 – TKO®	3-1/2", 2 – TKO®	25	—	No	—	
600V 197	FH, flush	6-1/2", 3 – TKO®	3-1/2", 2 – TKO®	25	—	No	—	—
600V 8197	FH, flush	6-1/2", 3 – TKO®	3-1/2", 2 – TKO®	25	—	No	—	
600V 199	FM, flush	6-3/4"	1-1/2", 4-3/4"	25	—	No	—	—
600V 208	W, flush	6-1/2", 3 – TKO®	3-1/2", 2 – TKO®	25	—	No	—	—
600V 8208	W, flush	6-1/2", 3 – TKO®	3-1/2", 2 – TKO®	25	—	No	—	
600V 227	BOX-LOC® (MS) flush	6-1/2", 3 – TKO®	3-1/2", 2 – TKO®	25	Plastic	No	—	

*Box has stranded pigtail assembled

DIMENSIONS

CATALOG NUMBER	A (INSIDE)	B	C
189H	1-1/2"	3-1/8"	4-5/16"
189HS	1-1/2"	3-1/8"	4-5/16"
189M	1-1/2"	3-1/8"	4-5/16"
189HWP	1-1/2"	3-1/8"	4-5/16"
193, 8193	1-1/2"	1-31/32"	6"
196, 8196	1-1/2"	6-7/8"	4-3/8"
197, 8197	1-1/2"	7-3/8"	4-3/8"
199	1-1/2"	6-7/8"	4-3/8"
208, 8208	1-1/2"	6-13/16"	5-15/16"
227	1-1/2"	4-5/8"	5-1/2"



4714, THE INSIDER® will secure nonmetallic sheathed cable in 1/2" KO (See pg. B87)



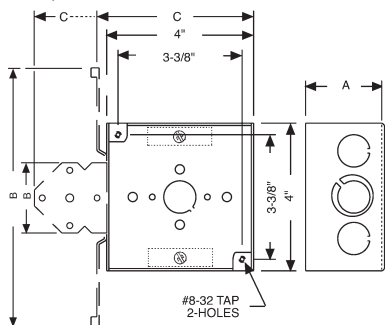
Applications

- Boxes are installed in walls or ceilings for lighting fixtures, switches or receptacles
- Square boxes are used where multiple conductor runs are split into two or more directions to bring power to a number of electrical devices

Product Features

- Reference Box Selection section in the front of this catalog for complete description of bracket and clamp types and features
- BOX-LOC® (MS) Bracket Box is a snap to install. Place the bracket on the open side of the stud first. Slots in the bracket engage the lip of the stud and actually crimp it as you press the bracket on the stud. Barbed hooks dig into the flat side of the stud, quickly locking it in place
- Combination screw heads provide for faster installation
- TKO® knockouts offer greater flexibility with RACO® patented combination 1/2" and 3/4" knockout

4" SQUARE BOXES

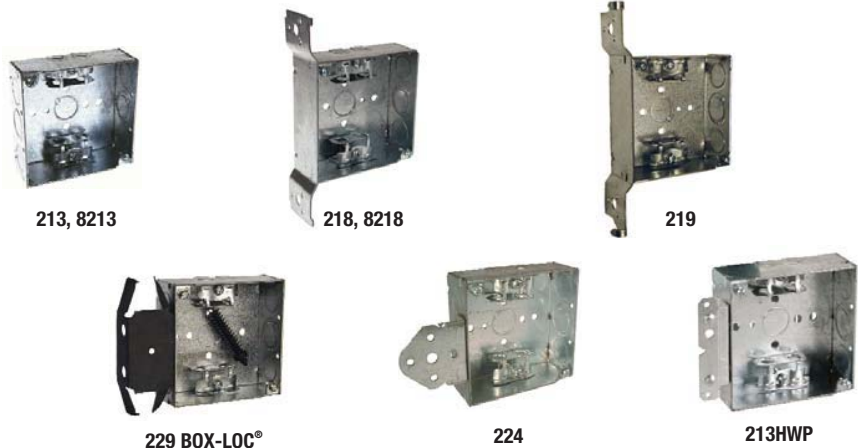


Compliances

- – File E195978

All RACO® single gang, two gang, 4" square, and single gang gangable U.L. listed steel boxes are acceptable for use in 2-hour fire rated walls. For additional information, consult U.L. "Fire Resistance Directory" or the U.L. website at www.ul.com

600V Per U.L. 514-A, suitable for use without a bonding jumper in circuits up to 600 volts



ORDERING INFORMATION - DIMENSIONS

4" SQUARE – 1-1/2" DEEP – WELDED WITH ARMORED CABLE/METAL CLAD/FLEX CLAMPS – 21.0 CUBIC INCHES							
CATALOG NUMBER	DESCRIPTION BRACKET & SETBACK	KNOCKOUTS			UBS SUP-PORT	STD. PKG.	UPC BAR CODE
		SIDES		BOTTOM COND.			
		CABLE	COND.				
600V 213	—	4	4-1/2", 2 – TKO®	1-1/2"	—	50	—
600V 8213	—	4	4-1/2", 2 – TKO®	1-1/2"	—	50	
600V 219	FH, flush	4	2-1/2", 1 – TKO®	1-1/2"	—	25	—
600V 224	B, flush	4	2-1/2", 1 – TKO®	1-1/2"	—	25	—
600V 218	FM, flush	4	2-1/2", 1 – TKO®	1-1/2"	—	25	—
600V 8218	FM, flush	4	2-1/2", 1 – TKO®	1-1/2"	—	25	
600V 229*	BOX-LOC® (MS) flush	4	2-1/2", 1 – TKO®	1-1/2"	Plastic	25	
600V 213HWP	HM Bracket	4	2-1/2", 1 – TKO®	1-1/2"	Yes	20	—

*Provided w/far-side support (part #978)

DIMENSIONS			
CATALOG NUMBER	A (INSIDE)	B	C
213, 8213	1-1/2"	—	—
218, 8218	1-1/2"	6-7/8"	4-3/8"
219	1-1/2"	7-3/8"	4-3/8"
224	1-1/2"	1-31/32"	6"
229	1-1/2"	4-5/8"	5-1/2"

4" SQUARE BOXES

1-1/2" DEEP WITH NONMETALLIC CABLE CLAMPS

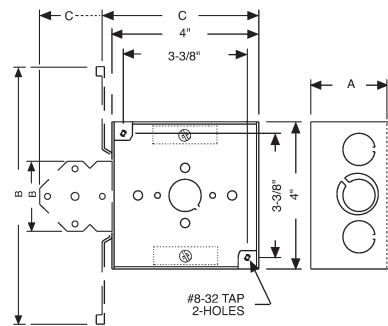
Applications

- Boxes are installed in walls or ceilings for lighting fixtures, switches or receptacles
- Square boxes are used where multiple conductor runs are split into two or more directions to bring power to a number of electrical devices

Product Features

- Reference Box Selection section in the front of this catalog for complete description of bracket and clamp types and features
- BOX-LOC® (MS) Bracket Box is a snap to install. Place the bracket on the open side of the stud first. Slots in the bracket engage the lip of the stud and actually crimp it as you press the bracket on the stud. Barbed hooks dig into the flat side of the stud, quickly locking it in place
- Combination screw heads provide for faster installation
- TKO® knockouts offer greater flexibility with RACO® patented combination 1/2" and 3/4" knockout

4" SQUARE BOXES



Compliances

- UL – File E195978

All RACO® single gang, two gang, 4" square, and single gang gangable U.L. listed steel boxes are acceptable for use in 2-hour fire rated walls. For additional information, consult U.L. "Fire Resistance Directory" or the U.L. website at www.ul.com

600V Per U.L. 514-A, suitable for use without a bonding jumper in circuits up to 600 volts



RACO STEEL BOXES & COVERS

ORDERING INFORMATION - DIMENSIONS

4" SQUARE – 1-1/2" DEEP – WELDED WITH NONMETALLIC SHEATHED CABLE CLAMPS – 21.0 CUBIC INCHES

CATALOG NUMBER	DESCRIPTION BRACKET & SETBACK	KNOCKOUTS			UBS SUP-PORT	STD. PKG.	UPC BAR CODE
		SIDES		BOTTOM COND.			
		CABLE	COND.				
600V 211	—	4	4-1/2", 2 – TKO®	1-1/2"	—	50	—
600V 8211	—	4	4-1/2", 2 – TKO®	1-1/2"	—	50	
600V 220	FH, flush	4	2-1/2", 1 – TKO®	1-1/2"	—	25	—
600V 8220	FH, flush	4	2-1/2", 1 – TKO®	1-1/2"	—	25	
600V 223	FM, flush	4	2-1/2", 1 – TKO®	1-1/2"	—	25	
600V 225	B, flush	4	2-1/2", 1 – TKO®	1-1/2"	—	25	—
600V 228*	BOX-LOC® (MS) flush	4	2-1/2", 1 – TKO®	1-1/2"	Plastic	25	

*Provided w/far-side support (part #978)

DIMENSIONS

CATALOG NUMBER	A (INSIDE)	B	C
211, 8211	1-1/2"	—	—
220, 8220	1-1/2"	7-3/8"	4-3/8"
223	1-1/2"	6-7/8"	4-3/8"
225	1-1/2"	1-31/32"	6"
228	1-1/2"	4-5/8"	5-1/2"



4" SQUARE EXTENSION RINGS AND 4" SQUARE PLENUM BOXES

1-1/2" AND 2-1/8" DEEP/CONDUIT

RACO STEEL BOXES & COVERS

Application

- Extension rings provide a means for adding additional cubic capacity or as an outlet box for surface conduit

Product Feature

- Combination screw heads provide for faster installation
- Red boxes, covers and extensions for dedicated life safety alarm circuits
- RACO 187 can be positioned to accommodate one or two switch boxes

Compliance

-  – File E195978



ORDERING INFORMATION - DIMENSIONS

4" SQUARE EXTENSION RINGS – 1-1/2" DEEP (INSIDE) – DRAWN WITH CONDUIT KO'S – 22.5 CUBIC INCHES

CATALOG NUMBER	DESCRIPTION BRACKET & SETBACK	KNOCKOUTS		STD. PKG.	UPC BAR CODE
		SIDES COND.	BOTTOM COND.		
201	—	12-1/2"	—	50	—
8201	—	12-1/2"	—	25	
202	—	8-3/4"	—	50	—
203	—	8-1/2", 4-3/4"	—	50	—
8203	—	8-1/2", 4-3/4"	—	50	
187	Attaches to switch boxes	8-1/2", 4-3/4"	—	25	
911-6	Painted Red	8-1/2", 4-3/4"	—	50	—

Applications

- Plenum boxes are used in above-ceiling applications where air-tight enclosures are required

Product Features

- To maintain plenum seal, both RACO® 226 and 239 do not provide ground screw holes
- Cover gasket is PVC foam material

Compliance

-  – File E195978



ORDERING INFORMATION - DIMENSIONS

4" SQUARE PLENUM BOXES & COVER – 1-1/2" & 2-1/8" DEEP (INSIDE) – DRAWN WITH CONDUIT KO'S

CATALOG NUMBER	DESCRIPTION BRACKET & SETBACK	KNOCKOUTS		CU. IN.	STD. PKG.	UPC BAR CODE
		SIDES	BOTTOM			
226	1-1/2" Deep	8-1/2", 4-3/4"	3-1/2", 2-3/4"	21.0	50	—
239	2-1/8" Deep	8-1/2", 4-3/4"	3-1/2", 2-3/4"	30.3	25	—
762	Gasketed cover for 4" square boxes	—	—	—	50	—

4" SQUARE BOXES

2-1/8" DEEP/CONDUIT

Applications


- Boxes are installed in walls or ceilings for lighting fixtures, switches or receptacles
- Square boxes are used where multiple conductor runs are split into two or more directions to bring power to a number of electrical devices

Product Features

- Combination screw heads provide for faster installation
- TKO® knockouts offer greater flexibility with RACO® patented combination 1/2" and 3/4" knockout
- Red boxes, covers and extensions for dedicated life safety alarm circuits

Compliances

- UL – File E195978

 All RACO® single gang, two gang, 4" square, and single gang gangable U.L. listed steel boxes are acceptable for use in 2-hour fire rated walls. For additional information, consult U.L. "Fire Resistance Directory" or the U.L. website at www.ul.com

600V Per U.L. 514-A, suitable for use without a bonding jumper in circuits up to 600 volts



231, 8231

232, 8232

232F

232SM

233, 8233

911-3

RACO STEEL BOXES & COVERS

ORDERING INFORMATION - DIMENSIONS

4" SQUARE – 2-1/8" DEEP (INSIDE) – WELDED WITH CONDUIT KO'S – 30.3 CUBIC INCHES

CATALOG NUMBER	UBS FARMSIDE SUPPORT	KNOCKOUTS		STD. PKG.	RAISED GROUND PROVISION	PIGTAIL	UPC BAR CODE
		SIDES	BOTTOM				
		COND.	COND.				
231	—	8-3/4"	1-1/2", 4-3/4"	25	No	No	—
8231	—	8-3/4"	1-1/2", 4-3/4"	25	No	No	
600V 232	—	8-1/2", 4-TKO®	2-1/2", 2-TKO®	25	Yes	No	—
600V 8232	—	8-1/2", 4-TKO®	3-1/2", 2-TKO®	25	No	No	
600V 232F	Yes	8-1/2", 4-TKO®	2-1/2", 2-TKO®	25	Yes	Yes	—
600V 232SM	—	8-1/2", 4-TKO®	2-1/2", 2-TKO®	25	Yes	Yes	
233	—	8-1"	3-1/2", 2-3/4"	25	No	No	—
8233	—	8-1"	3-1/2", 2-3/4"	25	No	No	
600V 911-3	—	8-1/2", 4-TKO®	3-1/2", 2-TKO®	25	No	No	—



4714, THE INSIDER® will secure nonmetallic sheathed cable in 1/2" KO (See pg. B87)

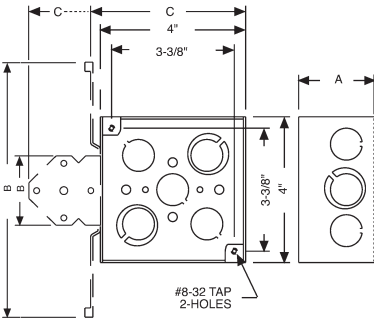
Applications

- Boxes are installed in walls or ceilings for lighting fixtures, switches or receptacles
- Square boxes are used where multiple conductor runs are split into two or more directions to bring power to a number of electrical devices

Product Features

- Reference Box Selection section in the front of this catalog for complete description of bracket types and features
- BOX-LOC® (MS) Bracket Box is a snap to install. Place the bracket on the open side of the stud first. Slots in the bracket engage the lip of the stud and actually crimp it as you press the bracket on the stud. Barbed hooks dig into the flat side of the stud, quickly locking it in place
- Combination screw heads provide for faster installation
- TKO® knockouts offer greater flexibility with RACO® patented combination 1/2" and 3/4" knockout
- UBS Support - Welded to box, preset bend points to work with wall thickness 2-1/2" to 6"
- Red boxes, covers and extensions for dedicated life safety alarm circuits

4" SQUARE BOXES



Compliances

- **UL** – File E195978

All RACO® single gang, two gang, 4" square, and single gang gangable U.L. listed steel boxes are acceptable for use in 2-hour fire rated walls. For additional information, consult U.L. "Fire Resistance Directory" or the U.L. website at www.ul.com

600V Per U.L. 514-A, suitable for use without a bonding jumper in circuits up to 600 volts



ORDERING INFORMATION - DIMENSIONS

4" SQUARE – 2-1/8" DEEP – WELDED WITH CONDUIT KO'S – 30.3 CUBIC INCHES

CATALOG NUMBER	DESCRIPTION BRACKET & SETBACK	KNOCKOUTS		STD. PKG.	UBS SUP-PORT	RSD. GRND. PRVSN.	PIG-TAIL	UPC BAR CODE
		SIDES COND.	BOTTOM COND.					
232H	HM Brkt	8-1/2", 4-TKO®	2-1/2", 2-TKO®	25	Yes	Yes	Yes	—
232HS*	HM Brkt	8-1/2", 4-TKO®	2-1/2", 2-TKO®	25	Yes	Yes	Yes	—
232HWP	HM Brkt	8-1/2", 4-TKO®	2-1/2", 2-TKO®	25	Yes	Yes	No	—
600V 232M	HM Brkt	8-1/2", 4-TKO®	2-1/2", 2-TKO®	25	Yes	Yes	Yes	—
600V 235	TS, flush	6-1/2", 3-TKO®	3-1/2", 2-TKO®	25	—	—	No	—
8235	TS, flush	6-1/2", 3-TKO®	3-1/2", 2-TKO®	25	—	—	No	
600V 236	FM, flush	6-3/4"	1-1/2", 4-3/4"	25	—	—	No	
600V 237	FM, flush	6-1/2", 3-TKO®	3-1/2", 2-TKO®	25	—	—	No	
238	BOX-LOC® (MS) flush	6-1/2", 3-TKO®	3-1/2", 2-TKO®	25	Plastic	—	No	
251	B Brkt	6-1/2", 3-TKO®	3-1/2", 2-TKO®	25	—	—	No	—
911-4	FM, flush	6-1/2", 3-TKO®	3-1/2", 2-TKO®	25	—	—	No	—

*Box has stranded pigtail assembled

DIMENSIONS

CATALOG NUMBER	A (INSIDE)	B	C
232H, 232HS	2-1/8"	3-1/4"	4-5/16"
232HWP	2-1/8"	3-1/4"	4-5/16"
232M	2-1/8"	3-1/4"	4-5/16"
235, 8235	2-1/8"	7"	4-5/16"
236	2-1/8"	7-5/8"	4-3/8"
237	2-1/8"	7-5/8"	4-3/8"
238	2-1/8"	4-5/8"	5-1/2"
251	2-1/8"	1-31/32"	6"
911-4	2-1/8"	7-5/8"	4-3/8"



4714, THE INSIDER® will secure nonmetallic sheathed cable in 1/2" KO (See pg. B87)