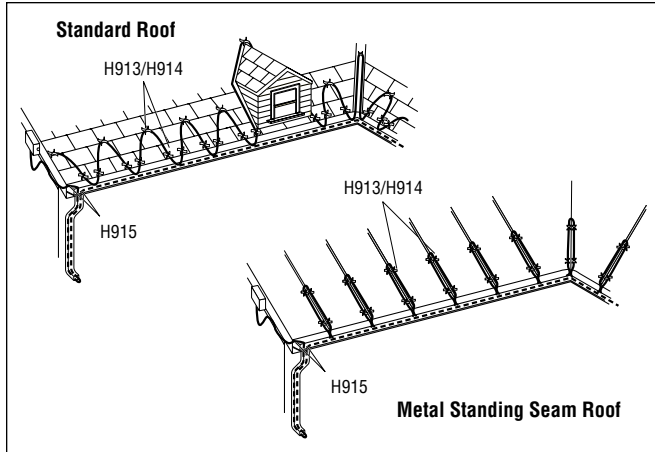


H913 WinterGard Wet Roof Clip (10) H914 WinterGard Wet Roof Clip (50) H915 WinterGard Wet Hanger Bracket Clip



Installation Instructions

Description

The H913 and H914 Roof Clip Kits and the H915 Hanger Bracket Kit are for use with Raychem® WinterGard™ Wet and Raychem Gardian™ heating cables. Carefully follow these instructions. Do not use other hardware or techniques which may damage the heating cable and create an electrical hazard, risk of fire, or poor performance.

H913/H914

The H913 and H914 roof clips are used to secure WinterGard Wet and Gardian heating cables to shingle and metal seam roofs and gutters. For applications where nails and screws will be used to install clips, go to page 2. For applications where adhesive will be used to install clips, go to page 3. The H913 is a bag of 10 clips and the H914 is a box of 50 clips.

H915

The H915 hanger bracket is used to provide mechanical protection to the WinterGard Wet and Gardian heating cables as it goes over sharp edges and to hold the heating cable in place at the top of downspouts. Refer to page 4 for instruction on how to install the H915 hanger bracket.

Tools Required

- Hammer
- Pliers
- Caulking Gun
- Recommended Adhesives for Metal Roofs
 - SpeedBonder® H3300 (Methacrylate Adhesive)
 - SpeedBonder H4800 (Methacrylate Adhesive)
 - Plexus® MA300 (Methacrylate Adhesive)
 - Plexus MA310 (Methacrylate Adhesive)
 - GE® Grey RTV 167 Adhesive (Neutral-cure Silicone Adhesive)

Approvals



877Z De-icing and Snow Melting Equipment

H913 Contents:

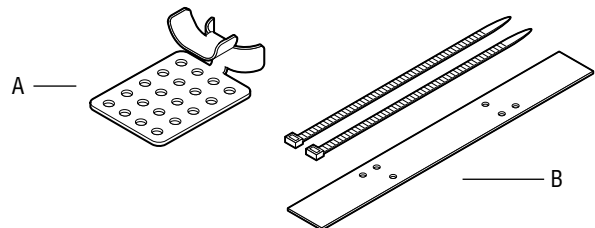
Item	Qty	Description
A	10	Roof clips

H914 Contents:

Item	Qty	Description
A	50	Roof clips

H915 Contents:

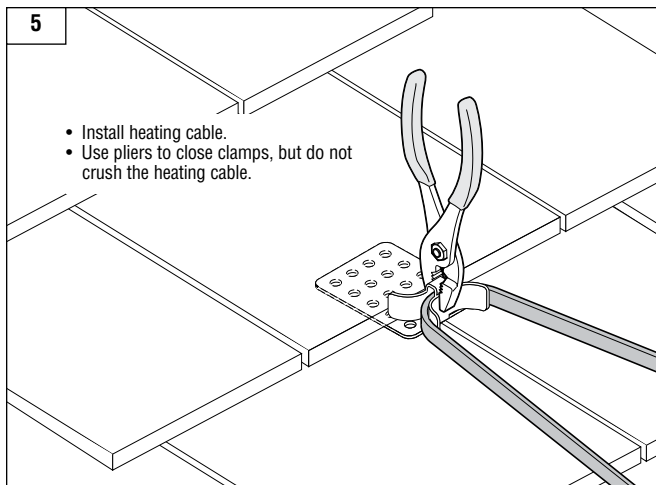
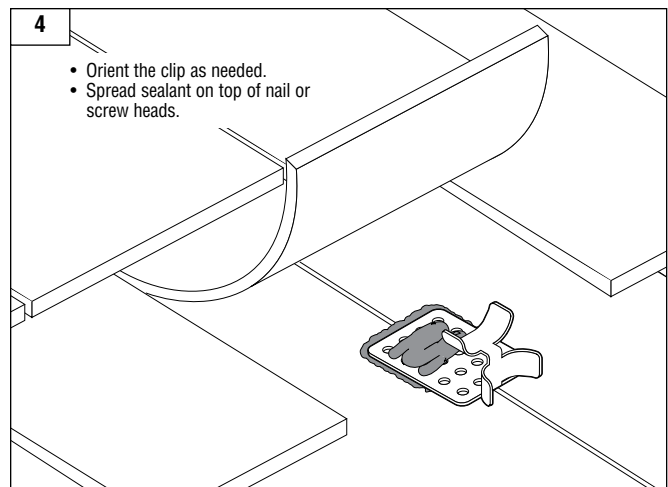
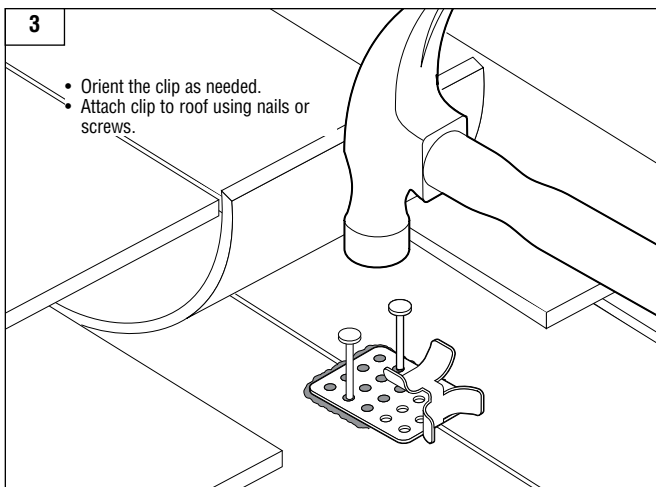
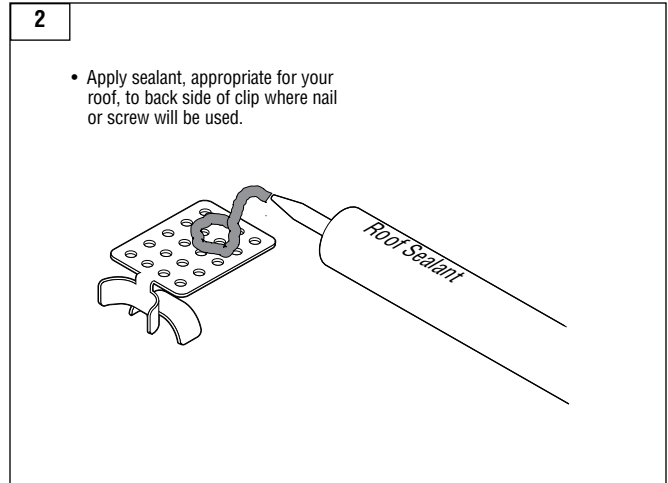
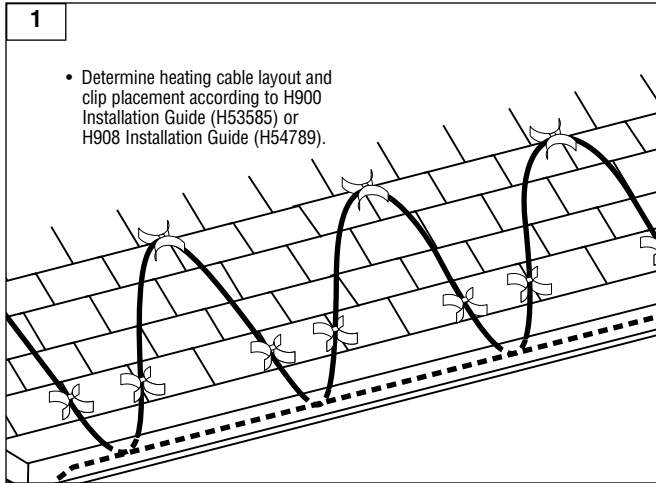
Item	Qty	Description
B	1	Hanger bracket



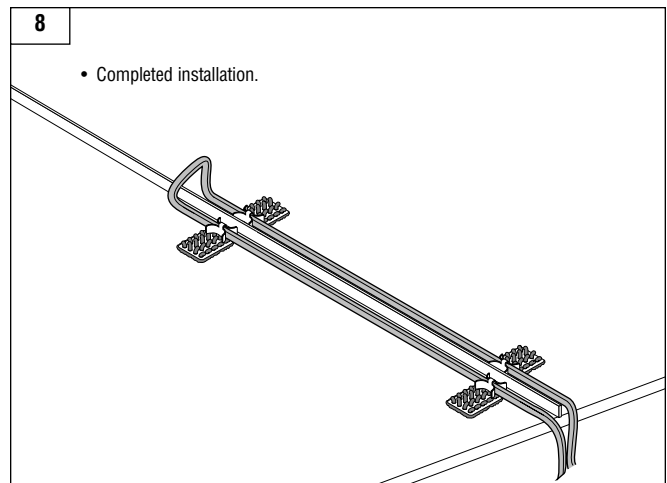
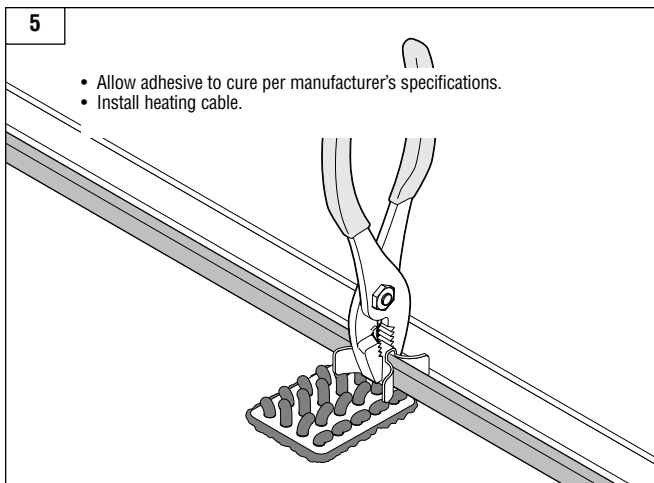
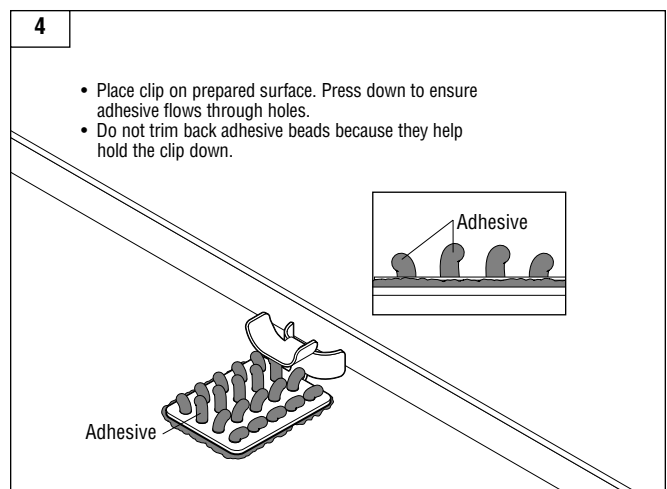
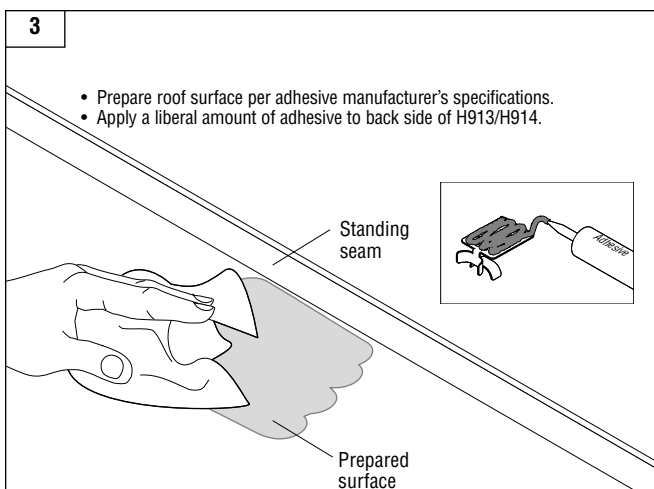
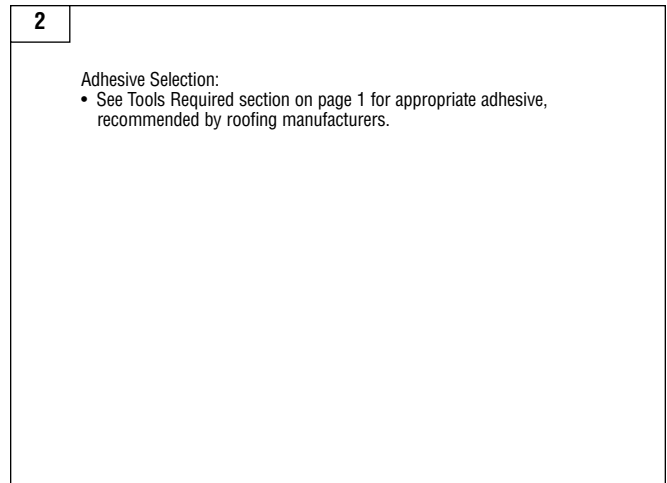
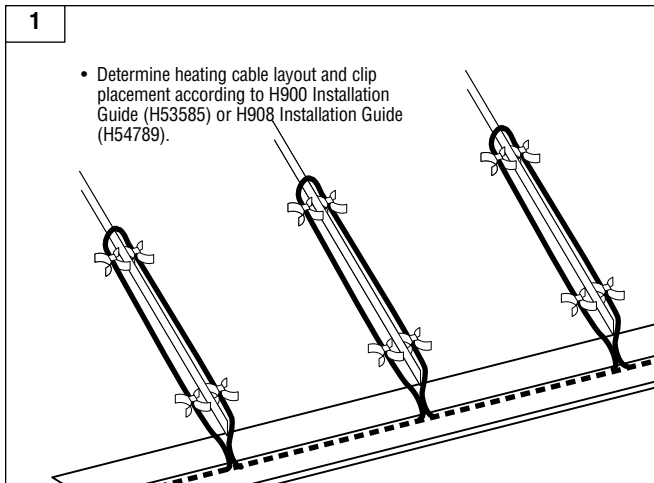
⚠ WARNING:

- WinterGard™ Wet Roof Clips and Hanger Brackets must be installed properly to ensure proper operation and to prevent the risk of electrical hazard or fire. Follow all design, installation, assembly, and test instructions carefully.
- To minimize the danger of fire from sustained electrical arcing if the heating cable is damaged or improperly installed, and to comply with the requirements of Tyco Thermal Controls and national electrical codes, ground-fault equipment protection must be used on each heating cable branch circuit. Arcing may not be stopped by conventional circuit protection.
- Do not use WinterGard Wet Roof Clip and Hanger Bracket for installation on slate or tile roofs as damage may occur to roof material. Consult roofing manufacturer for components approved for use on specific roof material.
- Damaged heating cable can cause arcing or fire. Do not energize damaged heating cable. Repair or replace damaged heating cable prior to applying power.
- While using pliers to close clamps on heating cable, heating cable should not be crushed or altered structurally in any way.

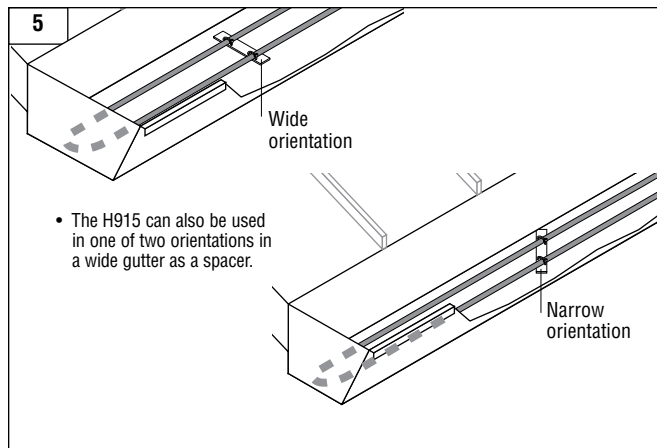
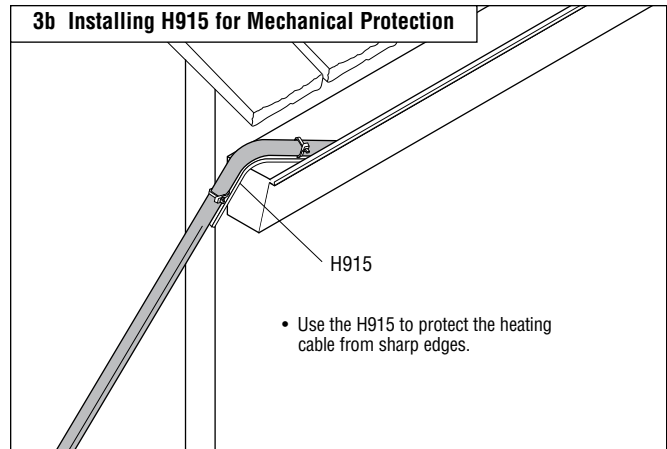
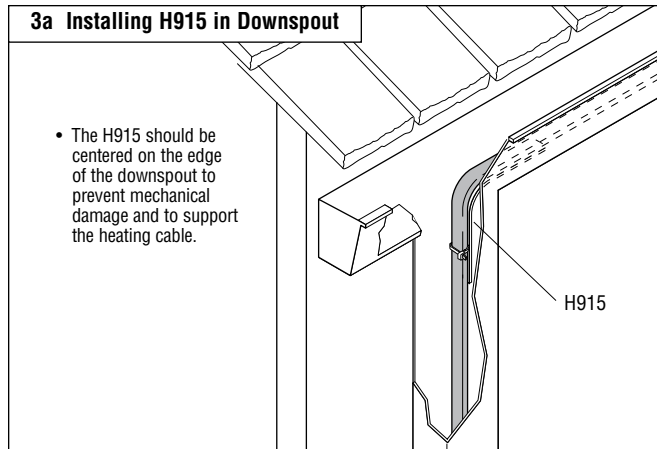
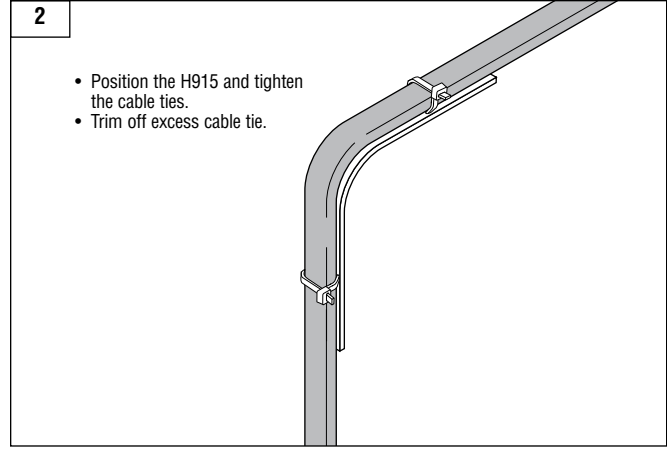
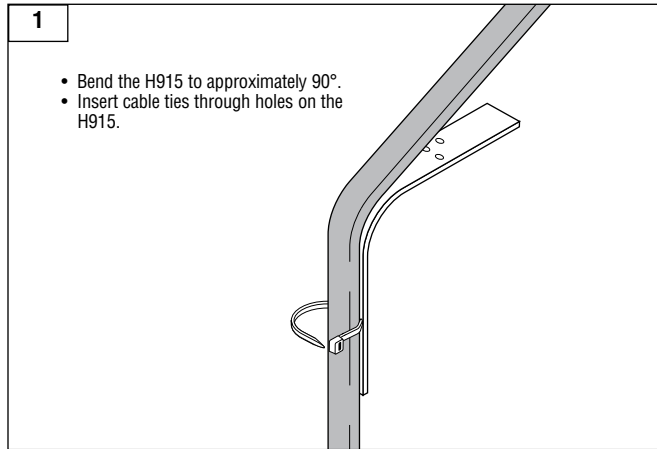
H913, H914 and H915 Installation Instructions



H913, H914 and H915 Installation Instructions



H913, H914 and H915 Installation Instructions



Tyco, Raychem, and WinterGard are trademarks of Tyco Thermal Controls LLC or its affiliates. Speedbonder is a trademark of Henkel Technologies. Plexus is a trademark of Illinois Tool Works. GE is a trademark of General Electric Company.

Worldwide Headquarters
Tyco Thermal Controls
 2415 Bay Road
 Redwood City, CA 94063-3032
 USA
 Tel: (800) 545-6258
 Tel: (650) 216-1526
 Fax: (800) 527-5703
 Fax: (650) 474-7711
 info@tycothermal.com
 www.tycothermal.com

Canada
Tyco Thermal Controls
 250 West St.
 Trenton, Ontario
 Canada K8V 5S2
 Tel: (800) 545-6258
 Fax: (800) 527-5703

Important: All information, including illustrations, is believed to be reliable. Users, however, should independently evaluate the suitability of each product for their particular application. Tyco Thermal Controls makes no warranties as to the accuracy or completeness of the information, and disclaims any liability regarding its use. Tyco Thermal Controls' only obligations are those in the Tyco Thermal Controls Standard Terms and Conditions of Sale for this product, and in no case will Tyco Thermal Controls or its distributors be liable for any incidental, indirect, or consequential damages arising from the sale, resale, use, or misuse of the product. Specifications are subject to change without notice. In addition, Tyco Thermal Controls reserves the right to make changes — without notification to Buyer — to processing or materials that do not affect compliance with any applicable specification.