



Gutter de-icing controller

The ETI® GIT-3A automatic gutter de-icing controller operates roof and gutter de-icing heating cables, providing energy efficiency and low operating costs. A GIT-3A consists of a gutter-mounted sensor and a control enclosure connected by a 12' 6" (3.8 m) cable. If the distance between the sensor and control needs to be changed, please contact your Tyco Thermal Controls representative.

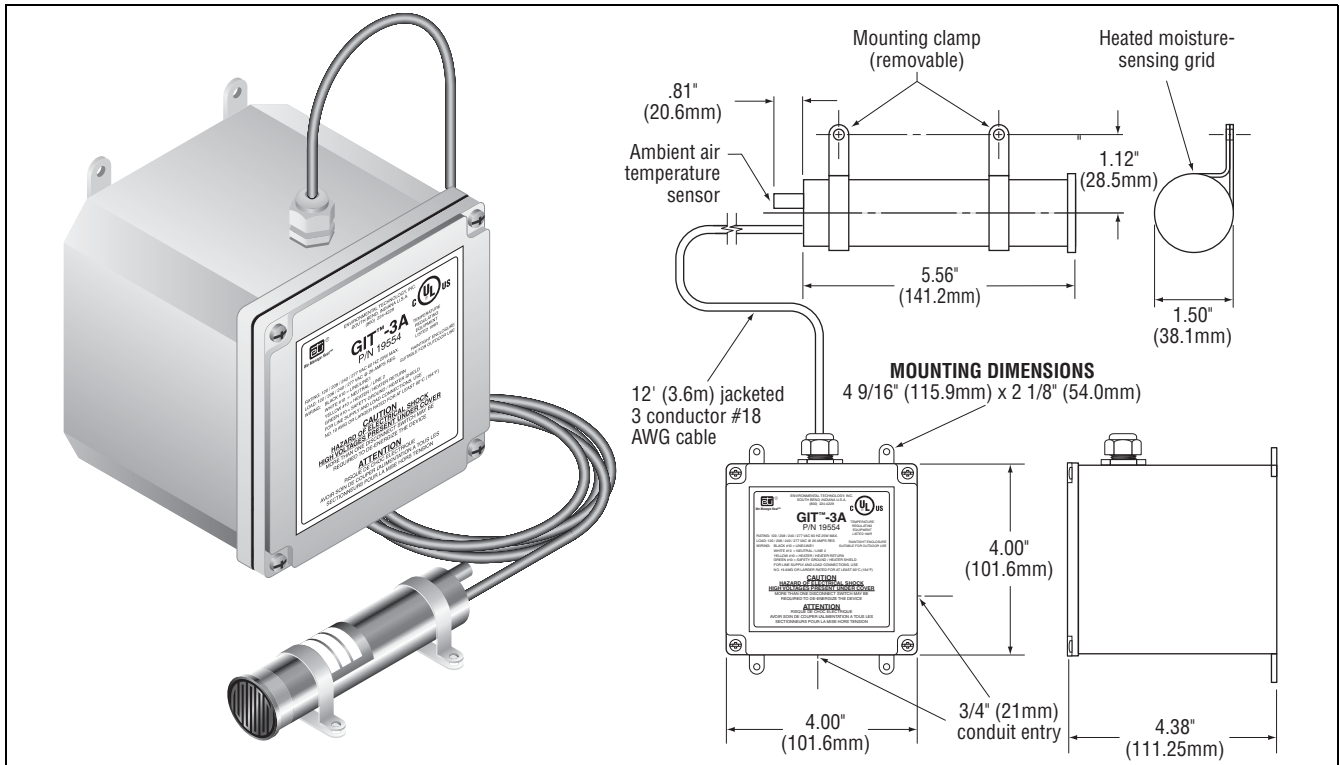
Snow and ice on a roof cause a variety of expensive problems including gutter and down spout breakage and interior water damage. In addition, falling ice can endanger

pedestrians. Using heating cables for ice melting can eliminate these problems. However, uncontrolled heating is expensive and not energy efficient.

The GIT-3A senses both moisture and temperature conditions in the gutter or down spout thus assuring optimum control. Roof and gutter de-icing heating cables operate at temperatures at or below 38°F (3.3°C) while moisture is present. Operation continues a period of time thereafter to ensure complete melting.

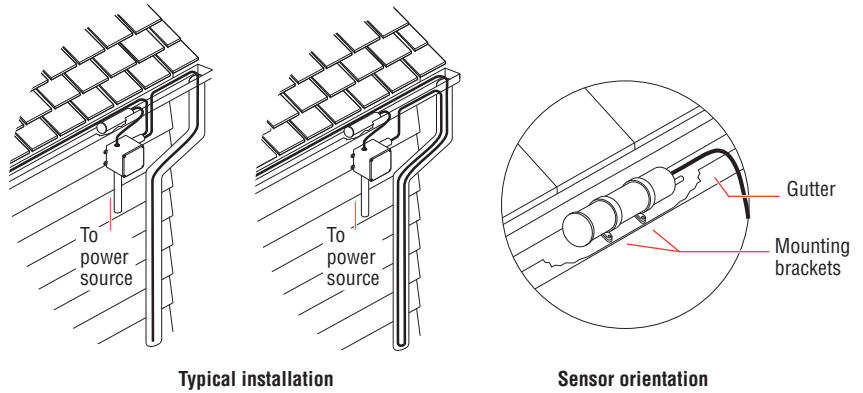
Line voltage and ice melting heater connections are located in the control enclosure. The GIT-3A operates from single-phase 120, 208/240, or 277 V supply selected by an internal jumper connection that is set during installation. It controls single phase ice melting heater loads of up to 26 A. The GIT-3A meets the new NEC Class 2 low voltage requirement for wet locations.

GIT-3A does not provide ground fault protection for the heating cable system. This protection is required and must be provided by other devices such as ground-fault circuit breakers or other control methods.



Typical Installations

Simplified drawings of installations using both constant wattage and self-limiting heating cables are shown. These show typical heating cable placement along with GIT-3A sensor and control enclosure locations. Refer to the GIT-3A instruction manual for more detailed information.



Approvals



Ordering Details

Catalog number	Part number	Description
GIT-3A	373764-000	GIT-3A Gutter de-icing controller

Limited Warranty

ETI's two-year limited warranty covering defects in workmanship and materials applies.

**Worldwide Headquarters
Tyco Thermal Controls**
307 Constitution Drive
Menlo Park, CA 94025-1164
USA
Tel: (800) 545-6258
Tel: (650) 216-1526
Fax: (800) 527-5703
Fax: (650) 474-7711
info@tycothermal.com
www.tycothermal.com

**Canada
Tyco Thermal Controls**
250 West St.
Trenton, Ontario
Canada K8V 5S2
Tel: (800) 545-6258
Fax: (800) 527-5703

**Latin America
Tyco Thermal Controls**
7433 Harwin Drive
Houston, TX 77036
United States
Tel: (713) 868-4800
Tel: (713) 735-8645
Fax: (713) 868-2333

**Europe, Middle East, Africa
Tyco Thermal Controls**
Romeinse Straat 14
3001 Leuven
België / Belgique
Tel: (32) 16/213 511
Fax: (32) 16/213 603

**North Asia
Tyco Thermal Controls**
20F, Innovation Building,
1009 Yi Shan Rd,
Shanghai 200233,
P.R.China
Tel: 86-21-2412-1688
Fax: 86-21-5426-2937 / 5426-3167

Tyco and other trademarks are the property of Tyco Thermal Controls or its affiliates

tyco

Thermal Controls

Important: All information, including illustrations, is believed to be reliable. Users, however, should independently evaluate the suitability of each product for their particular application. Tyco Thermal Controls makes no warranties as to the accuracy or completeness of the information, and disclaims any liability regarding its use. Tyco Thermal Controls' only obligations are those in the Tyco Thermal Controls Standard Terms and Conditions of Sale for this product, and in no case will Tyco Thermal Controls or its distributors be liable for any incidental, indirect, or consequential damages arising from the sale, resale, use, or misuse of the product. Specifications are subject to change without notice. In addition, Tyco Thermal Controls reserves the right to make changes—without notification to Buyer—to processing or materials that do not affect compliance with any applicable specification.