

PLASTI-BOND REDH₂O_T KNOCKOUT HUBS

KNOCKOUT HUBS

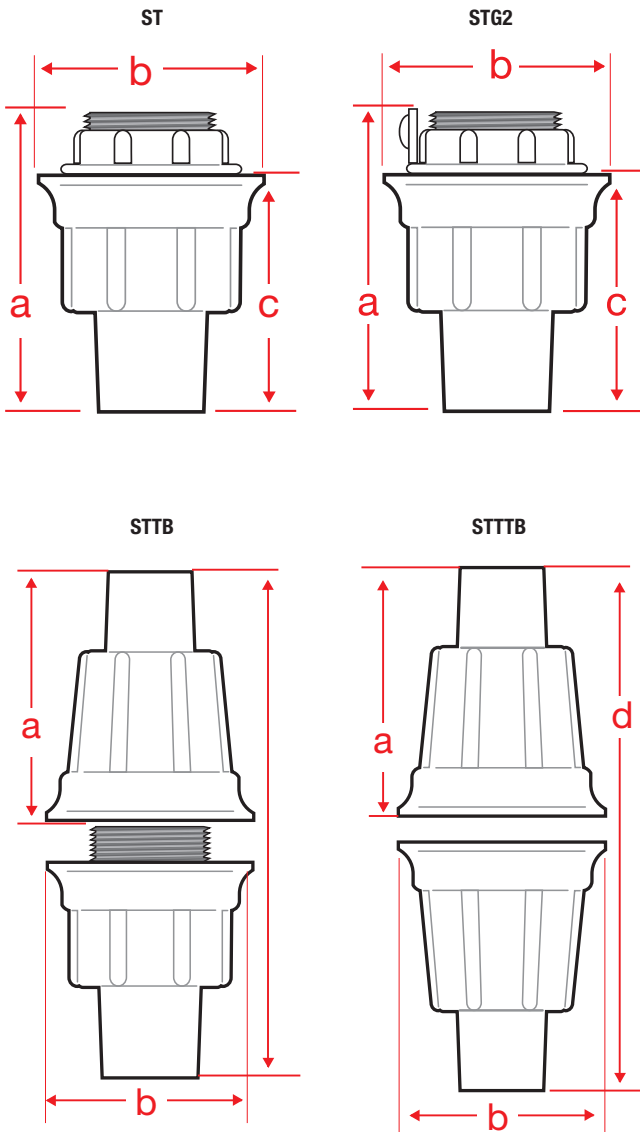


PRST2



PRSTG2

Knockout Hubs Configurations



APPLICATION

PLASTI-BOND REDH₂O_T ST style knockout hubs are used to terminate conduit runs through the wall of a sheet metal electrical enclosure. They are available with or without grounding lug. STTB style hubs are "Through-Bulkhead" fittings used to pass conduit runs through firewalls or bulkheads up to 1/8" thick. STTTB style hubs perform the same function for unlimited wall thicknesses, (furnished without nipples).

FEATURES

- 40 mil gray PVC exterior coating
- 2 mil red urethane interior coating
- ST and STTB available in 12 trade sizes from 1/2" through 6"
- STTTB in 6 trade sizes from 1/2" through 2".
- Sealing sleeves on conduit side of hub
- Molded PVC gasket seals flush with enclosure wall.
- O-ring gasket provides additional seal

COMPLIANCES

- UL
- CSA

NOTE:

- All Screw-tight Hubs are listed for NEMA type enclosures 2, 3, 3R, 4, 4x, 11 and 12
- Grounding and Bonding Hubs are listed for NEMA Enclosures 2, 3, 3R, 4 and 12

APPROVAL STAMP

(See online product submittal guide at www.plastibond.com)

Knockout Hubs Technical Data

ST

Pipe Size	Catalog #	Nominal Weight	A	B	C	MAX WALL THICK	Aluminum Catalog #
1/2"	PRST1	0.2	1.84	2.00	1.31	0.125	PRSTA1
3/4"	PRST2	0.3	2.22	2.25	1.66	0.125	PRSTA2
1"	PRST3	0.4	2.66	2.50	2.03	0.125	PRSTA3
1-1/4"	PRST4	0.4	2.94	3.25	2.28	0.125	PRSTA4
1-1/2"	PRST5	0.6	3.19	3.50	2.53	0.125	PRSTA5
2"	PRST6	1.2	3.75	4.25	3.09	0.125	PRSTA6
2-1/2"	PRST7	1.5	4.22	4.75	3.28	0.125	PRSTA7
3"	PRST8	2.1	4.31	5.25	3.38	0.125	PRSTA8
3-1/2"	PRST9	3.0	4.38	5.50	3.44	0.125	PRSTA9
4"	PRST10	3.5	4.44	6.25	3.50	0.125	PRSTA10
5"	PRST11	5.4	4.94	7.50	4.00	0.125	PRSTA11
6"	PRST12	6.9	5.00	8.50	4.00	0.125	PRSTA12

STG

Pipe Size	Catalog #	Nominal Weight	A	B	C	MAX WALL THICK	Aluminum Catalog #
1/2"	PRSTG1	0.2	1.84	2.00	1.31	0.125	PRSTAG1
3/4"	PRSTG2	0.3	2.22	2.25	1.66	0.125	PRSTAG2
1"	PRSTG3	0.4	2.66	2.50	2.03	0.125	PRSTAG3
1-1/4"	PRSTG4	0.4	2.94	3.25	2.28	0.125	PRSTAG4
1-1/2"	PRSTG5	0.6	3.19	3.50	2.53	0.125	PRSTAG5
2"	PRSTG6	1.2	3.75	4.25	3.09	0.125	PRSTAG6
2-1/2"	PRSTG7	1.5	4.22	4.75	3.28	0.125	PRSTAG7
3"	PRSTG8	2.1	4.31	5.25	3.38	0.125	PRSTAG8
3-1/2"	PRSTG9	3.0	4.38	5.50	3.44	0.125	PRSTAG9
4"	PRSTG10	3.5	4.44	6.25	3.50	0.125	PRSTAG10
5"	PRSTG11	5.4	4.94	7.50	4.00	0.125	PRSTAG11
6"	PRSTG12	6.9	5.00	8.50	4.00	0.125	PRSTAG12

STTB

Pipe Size	Catalog #	Nominal Weight	A	B	D	MAX WALL THICK	Aluminum Catalog #
1/2"	PRSTTB1	0.5	1.84	2.00	3.68	0.19	PRSTTTBA1
3/4"	PRSTTB2	0.5	2.22	2.25	4.44	0.19	PRSTTTBA2
1"	PRSTTB3	0.7	2.66	2.50	5.32	0.25	PRSTTTBA3
1-1/4"	PRSTTB4	1.0	2.94	3.25	5.88	0.25	PRSTTTBA4
1-1/2"	PRSTTB5	1.2	3.19	3.50	6.38	0.25	PRSTTTBA5
2"	PRSTTB6	1.7	3.75	4.25	7.50	0.25	PRSTTTBA6
2-1/2"	PRSTTB7	2.5	4.22	4.75	8.44	0.25	PRSTTTBA7
3"	PRSTTB8	3.0	4.31	5.25	8.62	0.25	PRSTTTBA8
3-1/2"	PRSTTB9	4.2	4.38	5.50	8.76	0.25	PRSTTTBA9
4"	PRSTTB10	5.9	4.44	6.25	8.88	0.25	PRSTTTBA10

STTTB

Pipe Size	Catalog #	Nominal Weight	A	B	D	MAX WALL THICK	Aluminum Catalog #
1/2"	PRSTTTB1	1.0	1.84	2.00	3.68	*	PRSTTTBA1
3/4"	PRSTTTB2	1.0	2.22	2.25	4.44	*	PRSTTTBA2
1"	PRSTTTB3	1.4	2.66	2.50	5.32	*	PRSTTTBA3
1-1/4"	PRSTTTB4	2.0	2.94	3.25	5.88	*	PRSTTTBA4
1-1/2"	PRSTTTB5	2.4	3.19	3.50	6.38	*	PRSTTTBA5
2"	PRSTTTB6	3.4	3.75	4.25	7.50	*	PRSTTTBA6

* Unlimited wall thickness – determined by nipple used.



REDH₂OT PRODUCT FLASH

Proper Product Performance Depends On Proper Installation... And We Can Help!

We support proper installation of Plasti-Bond REDH₂OT in many ways. **First:** we make available to you, at no charge, a comprehensive installation manual plus an installation video (available in English and Spanish). **Second,** we recommend Corrosion College, an intense, two day educational experience that covers installation procedures in addition to topics related to corrosion theory and prevention.

Third: we provide specialized tools to ensure that installation can be performed quickly, easily, and without damage. **Fourth:** we provide an installer certification program that teaches proper installation techniques for maximum conduit performance.