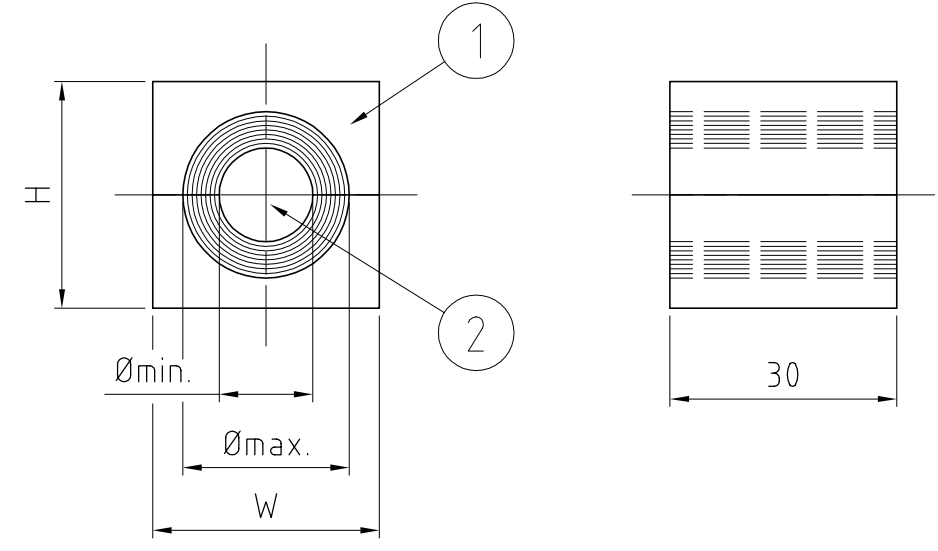


We reserve all rights in this document and in the information contained therein. Reproduction, use or disclosure to third parties without express authority is strictly forbidden. ©ROXTEC INTERNATIONAL AB

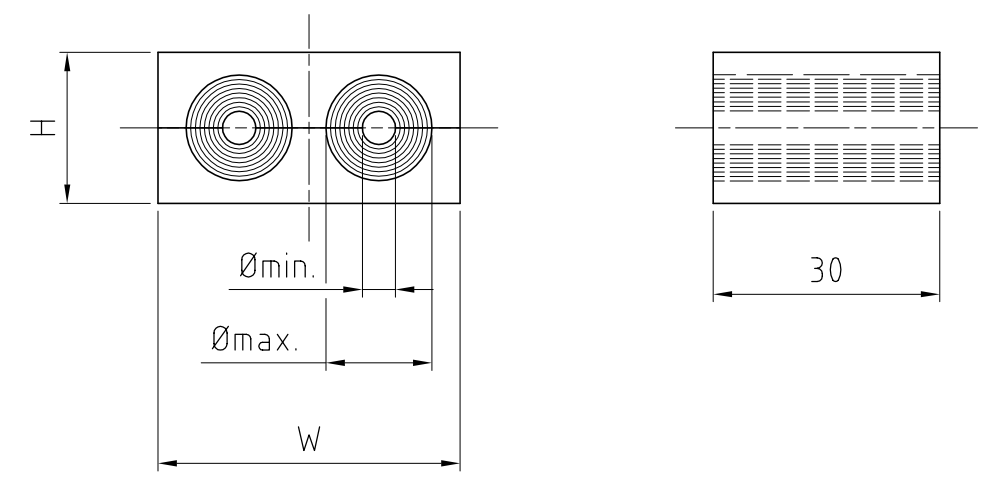
TYPE	H (MM)	W (MM)	Ømin. (MM)	Ømax. (MM)														
CM 15	15	15	3	11														
CM 15w40	15	40	3.5	10.5														
CM 20	20	20	4	14.5														
CM 20w40	20	40	3.5	16.5														
CM 30	30	30	10	25														
CM 30w40	30	40	25	CM 40	40	40	21.5	34.5	CM 40 10-32	40	40	9.5	32.5	CM 50	50	50	28	44
CM 40	40	40	21.5	34.5														
CM 40 10-32	40	40	9.5	32.5														
CM 50	50	50	28	44														



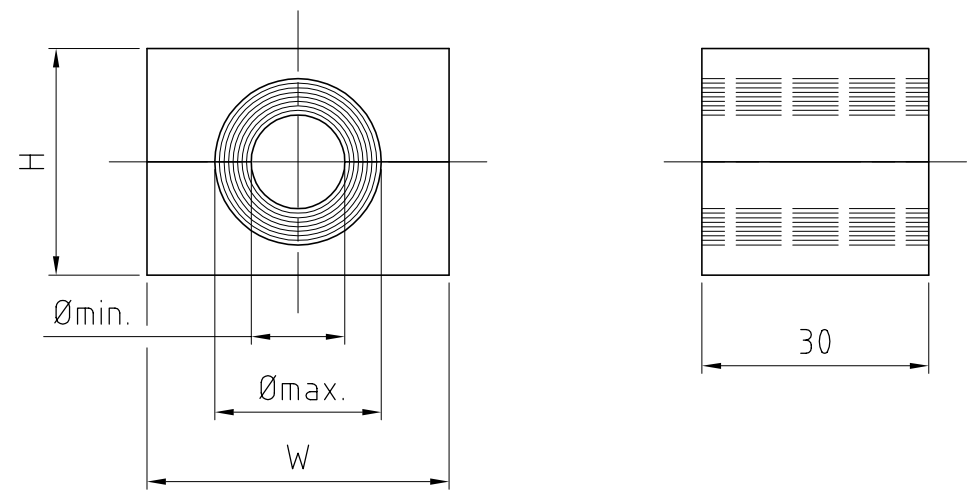
CM 30
CM 40 10-32
CM 50



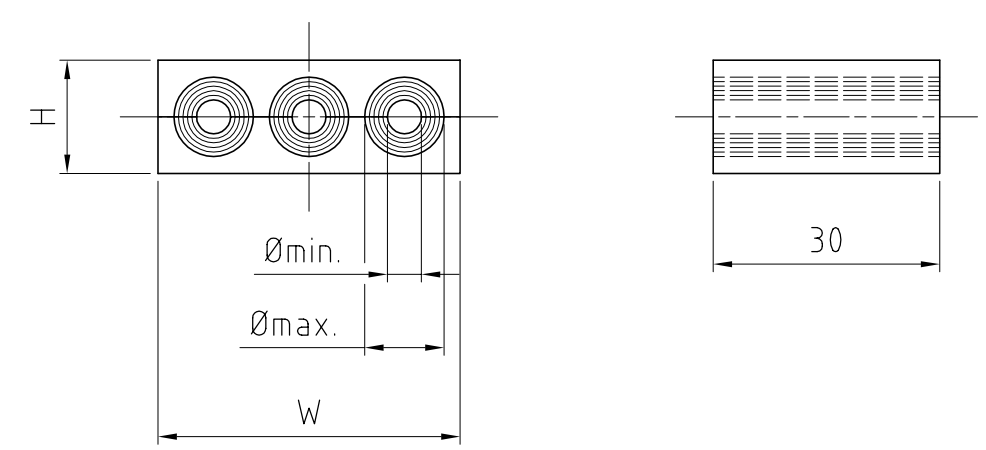
CM 20w40
2 CABLES/MODULE



CM 30w40



CM 15w40
3 CABLES/MODULE



C	SIZE 50 ADDED.	2009-11-17	AN KARLSSON
Rev	Type of revision	Date	Sign

2	-	CORE	ROXYLON	-	
1	-	RUBBER	ROXYLON	-	
Item	Qty	Designation	Specification	Net Weight	
ROXTEC INTERNATIONAL AB BOX 540 S-371 23 Karlskrona TEL: +46 455 366700 FAX: +46 455 82012		Designed by J HELLKVIST Checked by JE BOHLIN Approved by JE BOHLIN	Date 2003-12-29 Format A3 Scale 1:1	General tolerance DIN ISO 2768-1/2-m/K DIN ISO 13920-BF Welded details EN ISO 5817-B EN ISO 10042-B General surface roughness, Ra 12,5	Tot Weight -
		Title CM MODULES ASSEMBLY		Projection method 	
Restricted due to INFORMATION DRAWING			Drawing number S1005784	Rev C	