

DRAWING NO.
SC087708-01

4

3

2

1

REV	DATE	DESCRIPTION	ECO	BY	C'H'K.
F	12/21/2010 12:00:00 AM	ASSURES WAS ASSURED IN DESCRIPTION CORRECTED SERVICE TEMPERATURE RANGE.	22983	KS	JG

D

D

C

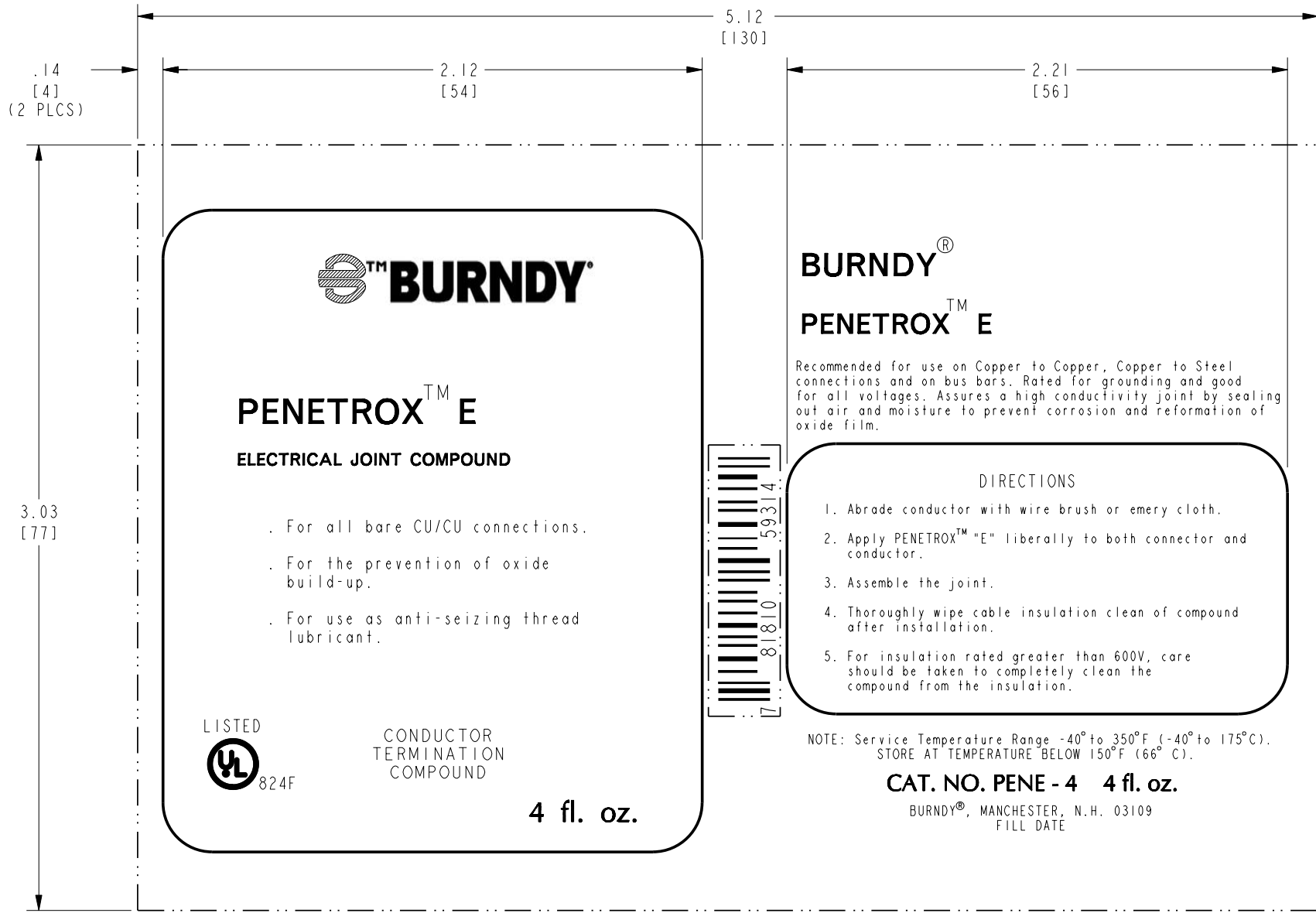
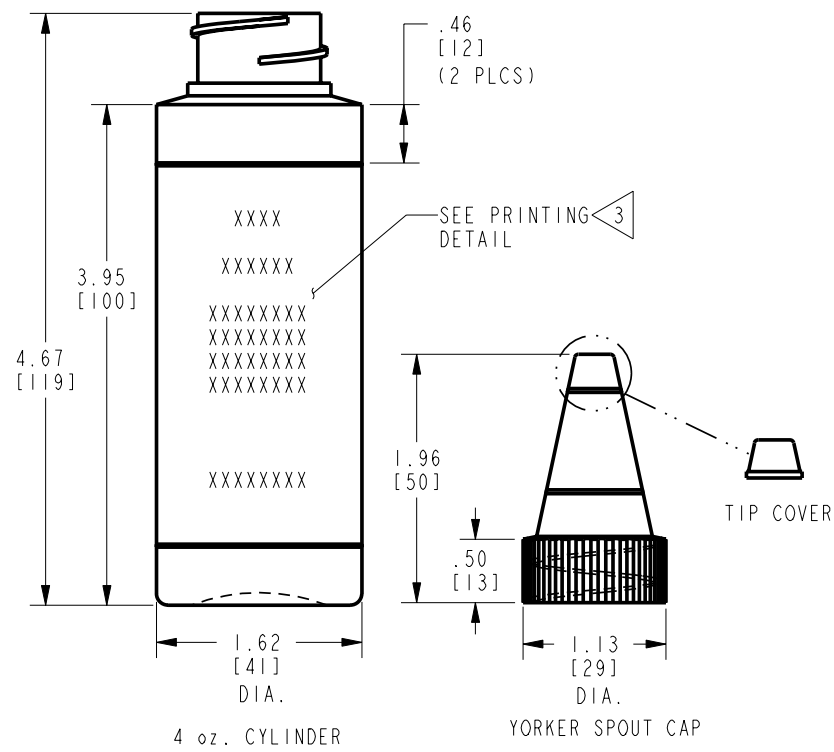
C

B

B

A

A



ENLARGED VIEW OF PRINTING DETAIL

NOTES:

- MATERIAL: POLYETHYLENE
COLOR: BOTTLE: OPAQUE WHITE
CAP: CLEAR
- ALL DIMENSIONS ARE REFERENCE.
- PRINTING TO APPEAR CIRCUMFERENTIALLY ON BOTTLE.
- CONTENTS: 4 oz. OF PENETROX™ E.
- DIMENSIONS IN BRACKETS [] ARE IN MILLIMETERS ROUNDED OFF TO THE NEAREST MILLIMETER, UNLESS OTHERWISE NOTED, AND ARE FOR REFERENCE ONLY.

TO ORDER BURNDY® PRODUCTS CALL
UNITED STATES:
1-800-346-4175 (LONDONDERRY, NH)
CANADA:
1-800-361-6975 (QUEBEC)
1-800-387-6487 (ALL OTHER PROVINCES)
FOR PRODUCT INFO: <http://www.burndy.com>

PENETROX™ E 4 oz. BOTTLE	
ITEM NO:	547045
CAT. NO:	PENE-4
DRAWN BY:	C. RACCANO 08/10/83
CHECKER:	A. J. M. 08/12/83
DSN APPVL:	--
MFG APPVL:	--
QA APPVL:	--
MKT APPVL:	--
PROD FAM:	--
PROJECT #:	--
DOCUMENT TYPE:	Sales
REL LEVEL:	Released
SCALE:	1:1
DRAWING NO:	SC087708-01
REV:	F
SHEET	1 OF 1



REV: PE0200

4

3

2

1