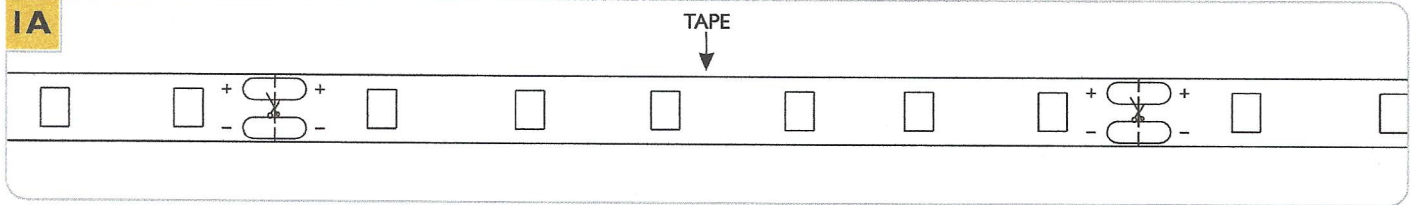


Prepare for Installation

1A



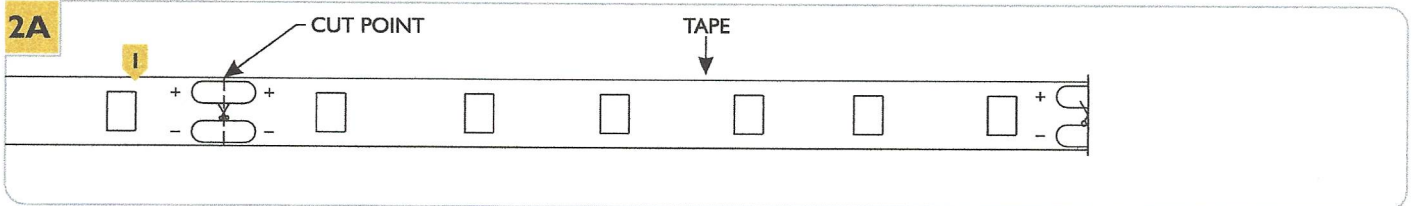
- 1 It is important to determine the proper wattage needed, location of the transformer, and fixture layout before beginning the following installation and modifications.
- 2 Do not exceed 40 feet on any continuous run of tape light. For large projects use a larger power supply or multiple power supplies separately. Do not exceed the wattage of any components or power supply.

Jane 100 Power Consumption: 4.9 W/Meter or 1.5 W/Foot

Jane 200 Power Consumption: 7.2 W/Meter or 2.2W/Foot

Cut Tape to Length

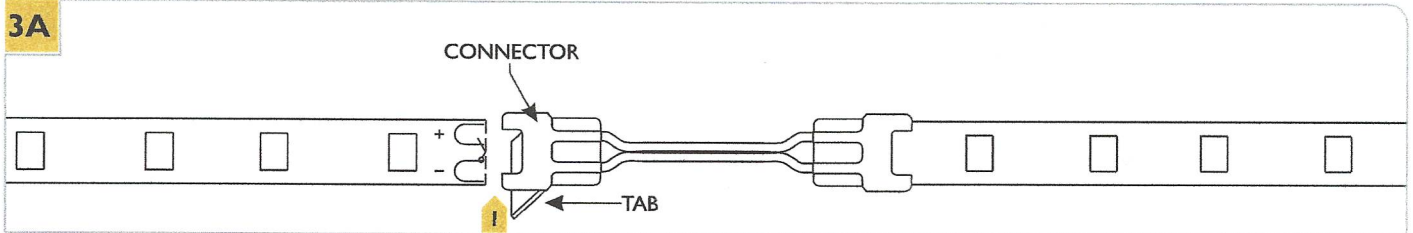
2A



- 1 Determine the length of tape required ensuring that space is left for the power cord to attach to the end of the tape.
- 2 Make a clean cut at the designated cut points to shorten the tape.

Connecting to Other Tapes (optional)

3A

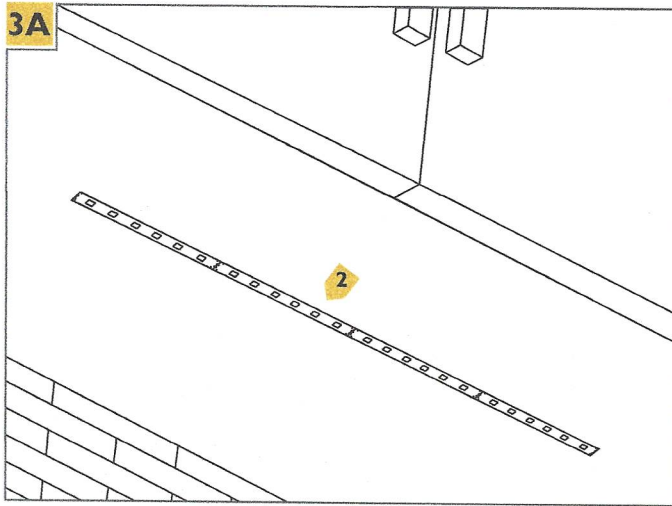


CAUTION: Make sure to orient the connecting tape to the same polarity by matching the symbols on the end of the tape.

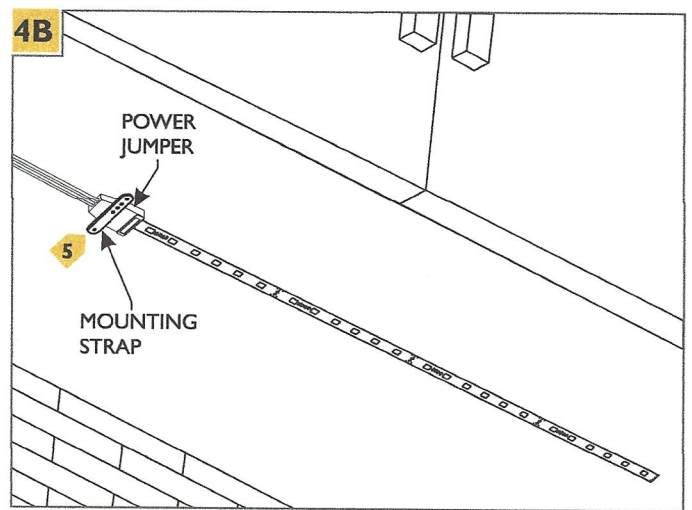


- 1 Remove the first inch of paper backing, then open the tabs on the connector and push the tape into the connector, ensuring that the pins on the connector are touching the contacts on the tape, then close the tab to secure in place.

Install the Tape

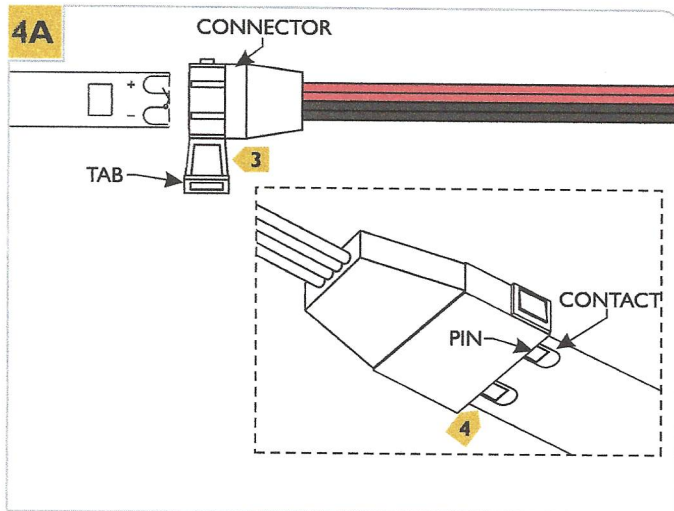


- 1 Place, level, and mark the location of the tape.
- 2 Peel the paper backing and mount the tape to the marked surface.



- 5 Use a mounting strap to secure the power jumper.

Install the Power Jumper



- 1 Align the red wires from the power feed connector to the positive symbol on the tape.
- 2 Open the tab on the power feed connector,
- 3 Push the tape into the connector ensuring that the pins on the connector are touching the contacts on the tape.
- 4 Close the tabs on the connector.