

Combination Couplings

For Rigid Conduit, IMC and E.M.T.

Application:

To join E.M.T. to Rigid or IMC

Features:

- Threaded rigid and IMC to compression E.M.T.
- Concrete tight
- NPT female hub

Standard Materials:

Steel

Standard Finish:

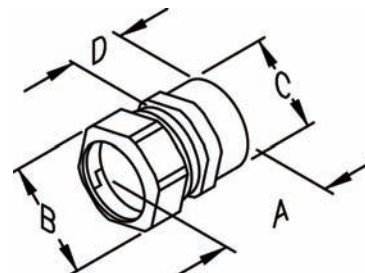
Zinc Plated

 **UL Listed:**
E198258

For EMT Steel Compression to Threaded Rigid Couplings



Type ERC-23



CATALOG NUMBER	TRADE SIZE	DIM A	DIM B	DIM C	DIM D	UNIT PACK	STANDARD PACK	WEIGHT (LBS.) PER 100 PCS.	NAED MFG #78-5994 UPC/DCI #
ERC-22	1/2"	1.313	1.125	0.875	0.688	25	250	14	47322
ERC-23	3/4"	1.438	1.375	1.125	0.750	25	250	25	47323
ERC-24	1"	1.500	1.688	1.375	0.813	25	250	34	47324

Application:

A combination coupling to provide a transition from EMT to unthreaded rigid conduit or IMC.

Features:

- Pre-set and staked Robertson head screws
- Concrete tight when taped

Standard Materials:

Steel

Standard Finish:

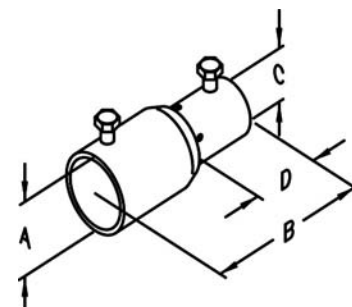
Zinc Plated

 **UL Listed:**
E198258

For EMT Steel Set-Screw to Rigid Set-Screw Couplings



Type S18ES



CATALOG NUMBER	TRADE SIZE	DIM A	DIM B	DIM C	DIM D	UNIT PACK	STANDARD PACK	WEIGHT (LBS.) PER 100 PCS.	NAED MFG #78-5994 UPC/DCI #
S16ES	1/2"	1.000	2.375	0.875	0.938	50	500	14	23016
S17ES	3/4"	1.250	2.813	1.125	1.125	25	250	28	23017
S18ES	1"	1.500	3.000	1.188	1.188	-	25	36	23018