

Self Contained - Non Lever Bypass

125 & 200 Amp Continuous - 600 VAC



EN20L43GRST
shown open & closed



Application

- Single meter position
- Designed for watt hour meters that meet ANSI C12.10
- Overhead or underground feed
- Surface mount

Construction

- Ringless cover
- Type 3R construction
- 16 Ga. galvaneal/galvanized steel
- 5th jaw provision at nine (9) o'clock

Standards

- UL 414 listed
- Complies with ANSI C12.7

Finish

- ANSI 61 gray painted finish

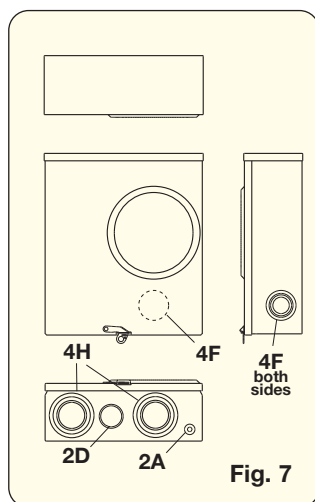
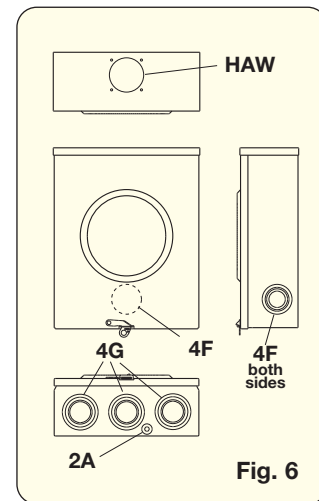
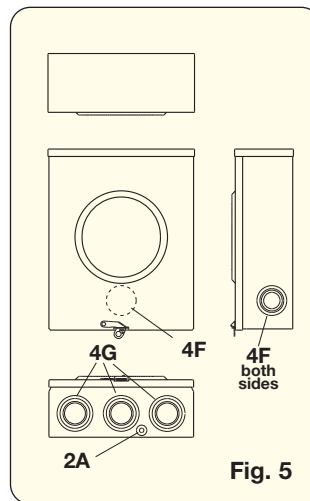
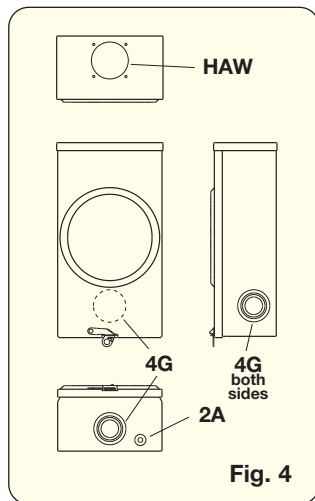
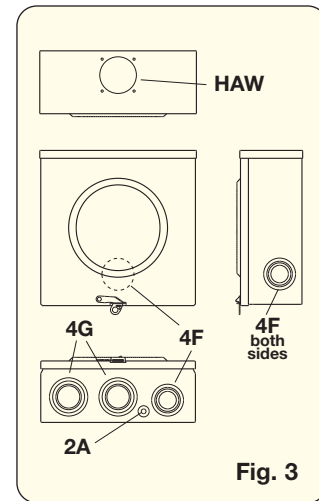
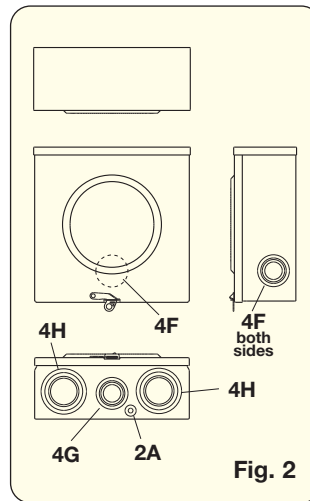
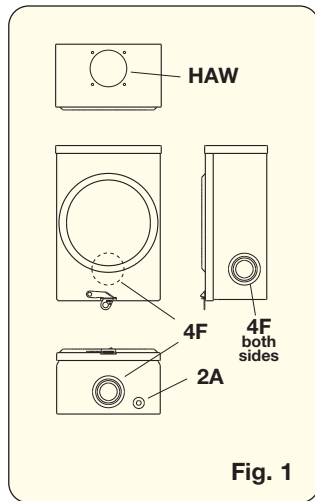
Accessories

- Replacement sockets
- AW hub assemblies
- Cap setscrew assemblies
- Horn bypass cap assemblies
- 5th jaw terminal kits
- Lug kits
- Jumper links
- Closing plates
- Touch-up paint

Part/UPC Number	Catalog Number	Service	Top Provision	Service Type	No. of Terminals	Bypass	Conductors Line/Load	Ground Prov. (Qty)	Overall Dimensions			Knockout Layout
Height	Width	Depth										
125 Amp - Continuous (AIC Rated per Table RL1 on page 42)												
78205131419	EN12L41GRST	OH	AW Opening	1Ø/3W	4	None	#14 AWG-2/0 AWG #14 AWG-2/0 AWG	(1) #10 AWG-#2 AWG	12 ¹ / ₈ "	8 ¹ / ₄ "	5 ¹ / ₄ "	Fig. 1
78205158677	EN12L41GRST MS76	OH	AW125	1Ø/3W	4	None	#14 AWG-2/0 AWG #14 AWG-2/0 AWG	(1) #10 AWG-#2 AWG	12 ¹ / ₄ "	8 ¹ / ₄ "	5 ¹ / ₄ "	Fig. 1
78205131429	EN12L42GRST	UG	None	1Ø/3W	4	None	#14 AWG-2/0 AWG #14 AWG-2/0 AWG	(1) #10 AWG-#2 AWG	12 ¹ / ₄ "	12 ¹ / ₄ "	5 ¹ / ₄ "	Fig. 2
78205131439	EN12L43GRST	OH/UG	AWCAP	1Ø/3W	4	None	#14 AWG-2/0 AWG #14 AWG-2/0 AWG	(1) #10 AWG-#2 AWG	12 ¹ / ₈ "	12 ¹ / ₄ "	5 ¹ / ₄ "	Fig. 3
200 Amp - Continuous (AIC Rated per Table RL1 on page 42)												
78205131451	EN20L41GRST	OH	AW Opening	1Ø/3W	4	None	#6 AWG-350 KCMIL #6 AWG-350 KCMIL	(1) #10 AWG-#2 AWG	15 ¹ / ₈ "	8 ¹ / ₄ "	5 ¹ / ₄ "	Fig. 4
78205131466	EN20L42GRST	UG	None	1Ø/3W	4	None	#6 AWG-350 KCMIL #6 AWG-350 KCMIL	(1) #10 AWG-#2 AWG	15 ¹ / ₈ "	12 ¹ / ₄ "	5 ¹ / ₄ "	Fig. 5
78205131487	EN20L43GRST	OH/UG	AWCAP	1Ø/3W	4	None	#6 AWG-350 KCMIL #6 AWG-350 KCMIL	(1) #10 AWG-#2 AWG	15 ¹ / ₈ "	12 ¹ / ₄ "	5 ¹ / ₄ "	Fig. 6
78205132561	EN20L44GRST	UG - Bussed Offset	None	1Ø/3W	4	None	#6 AWG-350 KCMIL #6 AWG-350 KCMIL	(1) #10 AWG-#2 AWG	15 ¹ / ₈ "	13 ¹ / ₄ "	5 ¹ / ₄ "	Fig. 7

Data subject to change without notice. Consult local utility for area acceptance. All dimensions are in inches.

Knockout Layouts



Knockouts - Conduit Sizes

- 2A = 1/2" - 3/8" dia.
- 2D = 1 1/2" - 1 1/4"
- 4F = 2" - 1 1/2" - 1 1/4" - 1"
- 4G = 2 1/2" - 2" - 1 1/2" - 1 1/4"
- 4H = 3" - 2 1/2" - 2" - 1 1/2"
- HAW = AW Hub Opening (Small)

Data subject to change without notice. Consult local utility for area acceptance. All dimensions are in inches.

Self Contained - Non-Jaw Clamping Lever Bypass

125 Amp Continuous - 600 VAC



EC12L41GR1N



EC12L71GRST

Application

- Single meter position
- Designed for watt hour meters that meet ANSI C12.10
- Overhead or underground feed
- Surface mount

Construction

- Ringless cover
- Type 3R construction
- 16 Ga. galvaneal/galvanized steel

Standards

- UL 414 listed
- Complies with ANSI C12.7

Finish

- ANSI 61 gray painted finish

Accessories

- Replacement sockets
- AW hub assemblies
- Cap setscrew assemblies
- 5th jaw terminal kits
- Lug kits
- Closing plates
- Touch-up paint

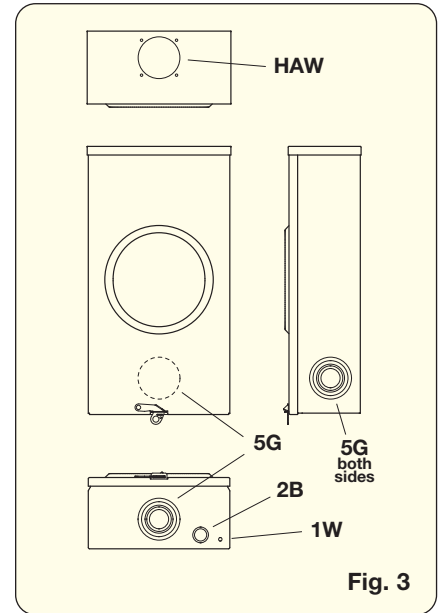
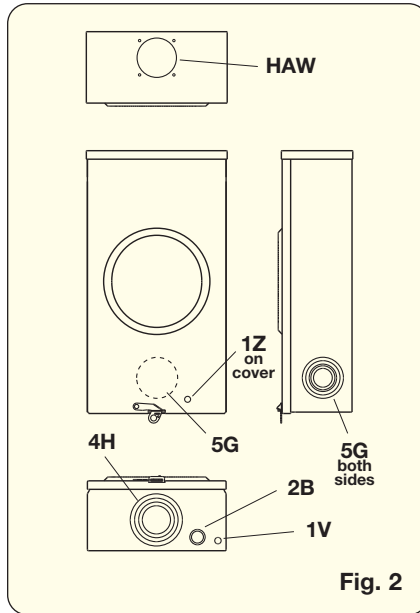
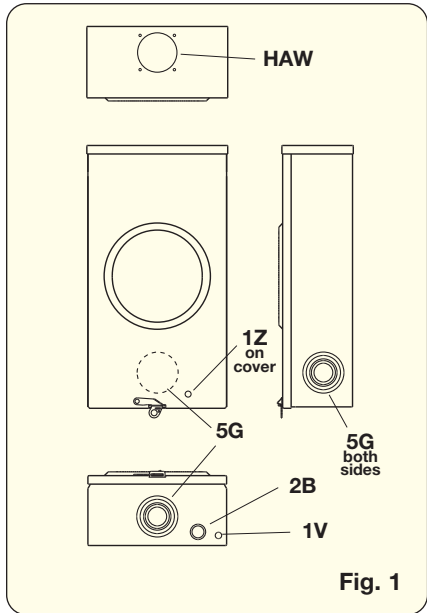
Part/UPC Number	Catalog Number	Service	Top Provision	Service Type	No. of Terminals	Bypass	Conductors Line/Load	Ground Provision (Qty)	Overall Dimensions			Knockout Layout
									Height	Width	Depth	
125 Amp - Continuous (AIC Rated per Table RL1 on page 42)												
78205138492	EC12L41GR1N	OH	AW Opening	1Ø/3W	5††	NJCLB *	#14 AWG-2/0 AWG #14 AWG-2/0 AWG	(1) #10 AWG-#2 AWG	19 ¹ / ₈ "	10 ¹ / ₄ "	5 ⁵ / ₈ "	Fig. 1
78205158366	EC12L43GR2N	OH/UG	AWCAP	1Ø/3W	5††	NJCLB *	#14 AWG-2/0 AWG #14 AWG-2/0 AWG	(2) #14 AWG-2/0 AWG	19 ¹ / ₈ "	10 ¹ / ₄ "	5 ¹ / ₂ "	Fig. 2
78205138491	EC12L71GRST	OH	AW Opening	3Ø/4W	7	NJCLB *	#14 AWG-2/0 AWG #14 AWG-2/0 AWG	(1) #10 AWG-#2 AWG	19 ¹ / ₈ "	10 ¹ / ₄ "	5 ⁵ / ₈ "	Fig. 3

* Bypass lever operates bypass only, non-jaw clamping

†† Includes 5th jaw kit installed at nine (9) o'clock, may be relocated at six (6) o'clock

Data subject to change without notice. Consult local utility for area acceptance. All dimensions are in inches.

Knockout Layouts



Knockouts - Conduit Sizes

- 1V = 1/2" dia.
- 1W = 1/4" dia.
- 1Z = 7/16" dia.
- 2B = 3/4" - 1/2"
- 4H = 3" - 2 1/2" - 2" - 1 1/2"
- 5G = 2 1/2" - 2" - 1 1/2" - 1 1/4" - 1"
- HAW = AW Hub Opening (Small)

Self Contained - Lever Bypass

200 Amp Continuous - 600 VAC



EL20L53GRST



EL20L73GRST

Application

- Single meter position
- Designed for watt hour meters that meet ANSI C12.10
- Overhead or underground feed
- Surface mount

Construction

- Ringless cover
- Type 3R construction
- 16 Ga. galvaneal/galvanized steel

Standards

- UL 414 listed
- Complies with ANSI C12.7

Finish

- ANSI 61 gray painted finish

Accessories

- Replacement sockets
- AW & H-Base hub assemblies
- Cap setscrew assemblies
- 5th jaw terminal kits
- Lug kits
- Closing plates
- Touch-up paint

Part/UPC Number	Catalog Number	Service	Top Provision	Service Type	No. of Terminals	Bypass	Conductors Line/Load	Ground Provision (Qty)	Overall Dimensions			Knockout Layout
									Height	Width	Depth	
200 Amp - Continuous (AIC Rated per Table RL1 on page 42)												
78205138480	EL20L41GR1N	OH	AW Opening	1Ø/3W	5 ††	Lever Bypass	#6 AWG-350 KCMIL #6 AWG-350 KCMIL	(1) #10-#2 AWG	19 ¹ / ₈ "	10 ¹ / ₄ "	5 ⁵ / ₈ "	Fig. 1
78205158361	EL20L41GR2N	OH	H7	1Ø/3W	5 ††	Lever Bypass	#6 AWG-350 KCMIL #6 AWG-350 KCMIL	(2) #14-2/0 AWG	19 ¹ / ₈ "	10 ¹ / ₄ "	5 ⁵ / ₈ "	Fig. 2
78205138490	EL20L43GRST	OH/UG	AWCAP	1Ø/3W	4 †	Lever Bypass	#6 AWG-350 KCMIL #6 AWG-350 KCMIL	(1) #10-#2 AWG	19 ¹ / ₈ "	13 ¹ / ₄ "	5 ⁵ / ₈ "	Fig. 3
78205158367	EL20L43GR2N	OH/UG	H7/ AWCAP	1Ø/3W	4 †	Lever Bypass	#6 AWG-350 KCMIL #6 AWG-350 KCMIL	(2) #14-2/0 AWG	19 ¹ / ₈ "	13 ¹ / ₄ "	5 ¹ / ₂ "	Fig. 4
78205158322	EL20L44GRST	UG Bussed offset	None	1Ø/3W	4 †	Lever Bypass	#6 AWG-350 KCMIL #6 AWG-350 KCMIL	(1) #10-2/0 AWG	19 ¹ / ₈ "	13 ¹ / ₄ "	5 ⁵ / ₈ "	Fig. 5
78205138479	EL20L45GR1N	OH/UG Non-bussed offset	H10	1Ø/3W	5 ††	Lever Bypass	#6 AWG-350 KCMIL #6 AWG-350 KCMIL	(1) #10-#2 AWG	22 ¹ / ₈ "	16 ¹ / ₄ "	6 ⁵ / ₈ "	Fig. 6
78205132601	EL20L51GRST	OH	AW Opening	1Ø/3W or 3Ø/3W	5 †††	Lever Bypass	#6 AWG-350 KCMIL #6 AWG-350 KCMIL	(1) #10-#2 AWG	19 ¹ / ₈ "	10 ¹ / ₄ "	5 ⁵ / ₈ "	Fig. 7
78205158364	EL20L51GR2N	OH	AW Opening	1Ø/3W or 3Ø/3W	5 †††	Lever Bypass	#6 AWG-350 KCMIL #6 AWG-350 KCMIL	(1) #10-#2 AWG	19 ¹ / ₈ "	10 ¹ / ₄ "	5 ¹ / ₂ "	Fig. 8
78205132605	EL20L53GRST	OH/UG	AWCAP	1Ø/3W or 3Ø/3W	5 †††	Lever Bypass	#6 AWG-350 KCMIL #6 AWG-350 KCMIL	(1) #10-#2 AWG	19 ¹ / ₈ "	13 ¹ / ₄ "	5 ⁵ / ₈ "	Fig. 3
78205138487	EL20L71GRST	OH	AW Opening	3Ø/4W	7	Lever Bypass	#6 AWG-350 KCMIL #6 AWG-350 KCMIL	(1) #10-#2 AWG	21 ¹ / ₄ "	10 ¹ / ₄ "	5 ⁵ / ₈ "	Fig. 9
78205138483	EL20L71GR1N	OH	AW Opening	3Ø/4W	7	Lever Bypass	#6 AWG-350 KCMIL #6 AWG-350 KCMIL	(1) #10-#2 AWG	21 ¹ / ₄ "	10 ¹ / ₄ "	5 ⁵ / ₈ "	Fig. 1
78205158359	EL20L71GR2N	OH	H7	3Ø/4W	7	Lever Bypass	#6 AWG-350 KCMIL #6 AWG-350 KCMIL	(2) #10-#2 AWG	21 ¹ / ₈ "	10 ¹ / ₄ "	5 ¹ / ₂ "	Fig. 2
78205138488	EL20L73GRST	OH/UG	AWCAP	3Ø/4W	7	Lever Bypass	#6 AWG-350 KCMIL #6 AWG-350 KCMIL	(1) #10-#2 AWG	21 ¹ / ₄ "	13 ¹ / ₄ "	5 ⁵ / ₈ "	Fig. 3
78205158363	EL20L73GR2N	OH/UG	AWCAP H7	3Ø/4W	7	Lever Bypass	#6 AWG-350 KCMIL #6 AWG-350 KCMIL	(2) #10-#2 AWG	21 ¹ / ₄ "	13 ¹ / ₄ "	5 ¹ / ₂ "	Fig. 10
78205138482	EL20L75GR1N	OH/UG Non-bussed offset	H10	3Ø/4W	7	Lever Bypass	#6 AWG-350 KCMIL #6 AWG-350 KCMIL	(1) #10-#2 AWG	22 ¹ / ₈ "	16 ¹ / ₄ "	6 ⁵ / ₈ "	Fig. 6

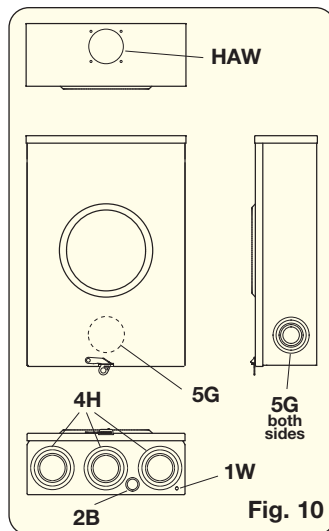
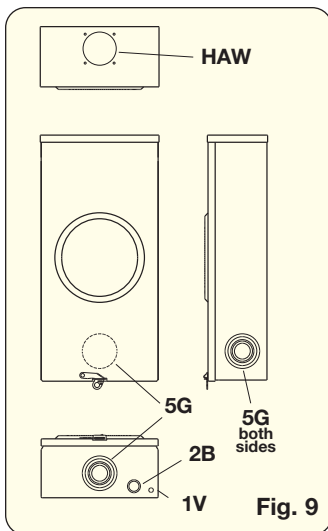
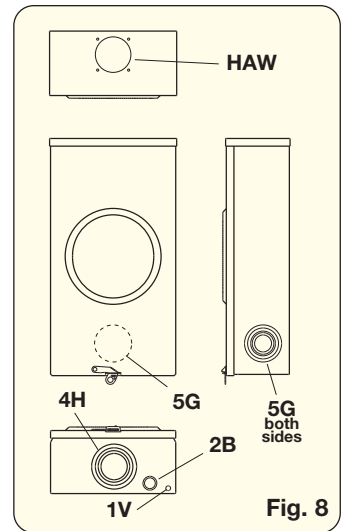
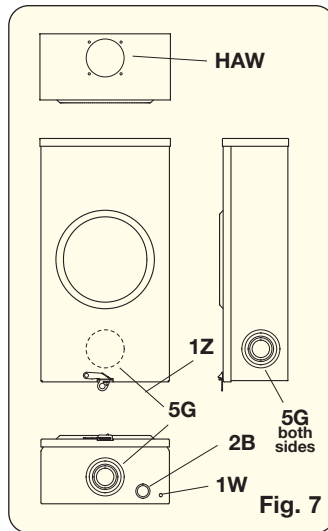
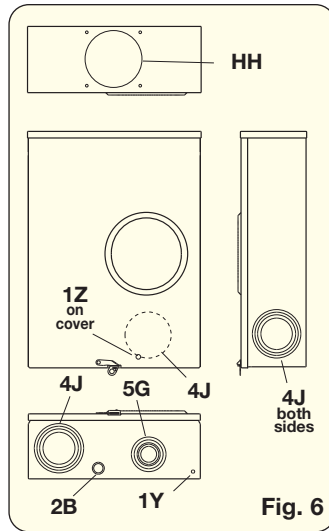
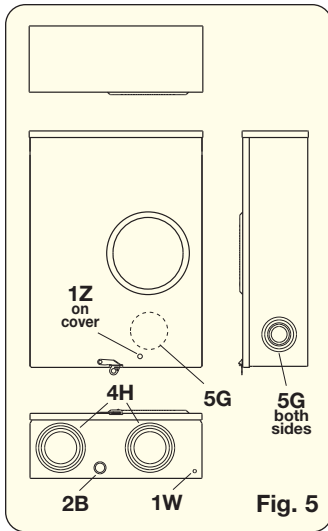
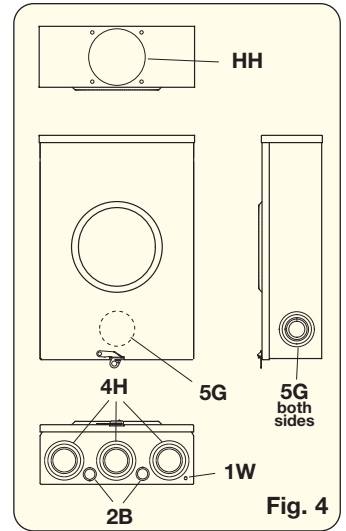
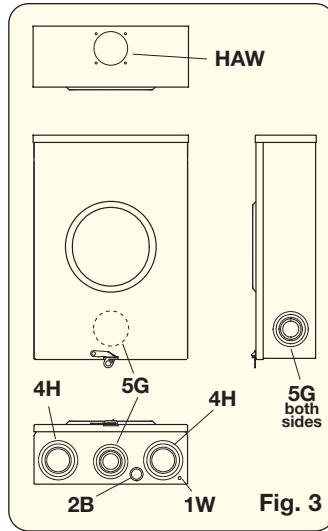
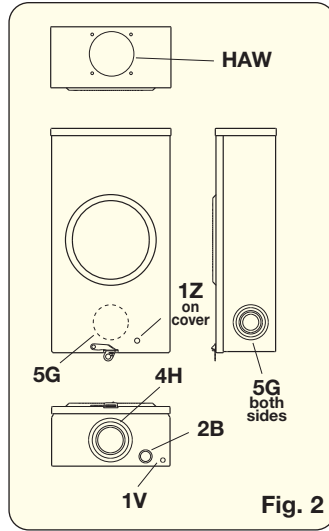
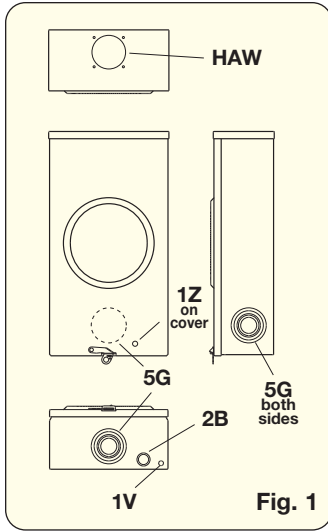
† 5th jaw provisions at six (6) o'clock and nine (9) o'clock †† Includes 5th jaw kit installed at nine (9) o'clock, may be relocated at six (6) o'clock

††† Includes 5th jaw kit installed at six (6) o'clock, may be relocated at nine (9) o'clock

Data subject to change without notice. Consult local utility for area acceptance. All dimensions are in inches.

200 Amp Continuous - 600 VAC

Knockout Layouts



Knockouts - Conduit Sizes

- 1V = 1/2" dia.
- 1W = 1/4" dia.
- 1Y = 5/16" dia.
- 1Z = 7/16" dia.
- 2B = 3/4" - 1/2"
- 4H = 3" - 2 1/2" - 2" - 1 1/2"
- 4J = 3 1/2" - 3" - 2 1/2" - 2"
- 5G = 2 1/2" - 2" - 1 1/2" - 1 1/4" - 1"
- HAW = AW Hub Opening (Small)
- HH = H Hub Opening (Large)

Data subject to change without notice. Consult local utility for area acceptance. All dimensions are in inches.

Self Contained - Lever Bypass

320 Amp Continuous - 600 VAC



EL32T76GRST
shown open & closed



Application

- Single meter position
- Designed for watt hour meters that meet ANSI C12.10
- Overhead or underground feed
- Surface mount

Construction

- Ringless cover
- Type 3R construction
- 16 Ga. galvaneal/galvanized steel

Standards

- UL 414 listed
- Complies with ANSI C12.7

Finish

- ANSI 61 gray painted finish

Accessories

- Replacement sockets
- H-Base hub assemblies
- 5th jaw terminal kits
- Lug kits
- Lug/stud landing pads
- Closing plates
- Touch-up paint

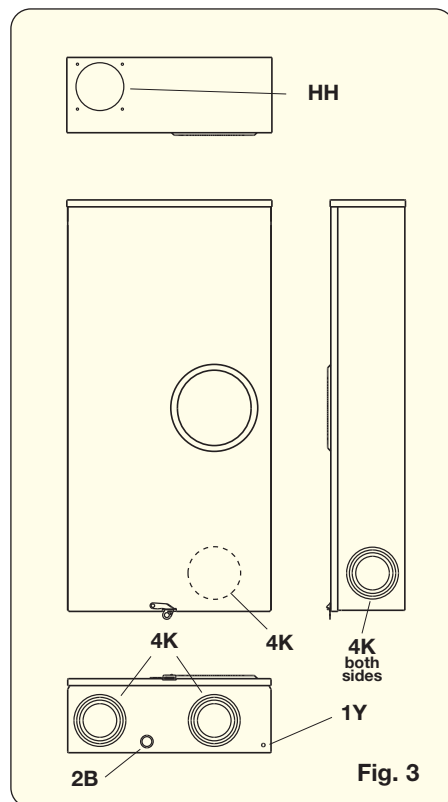
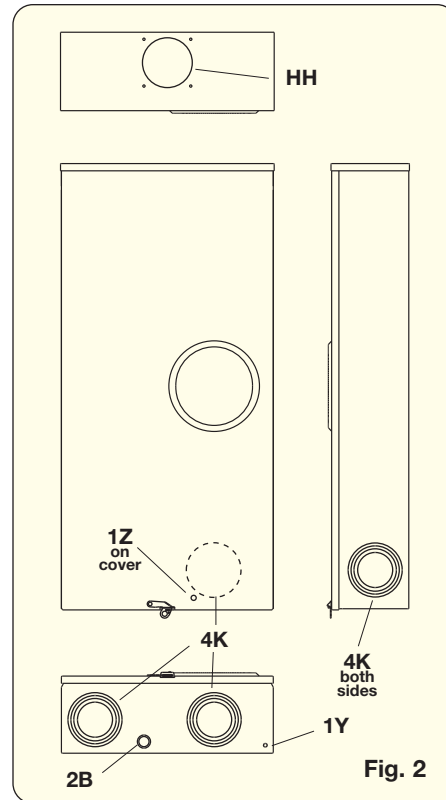
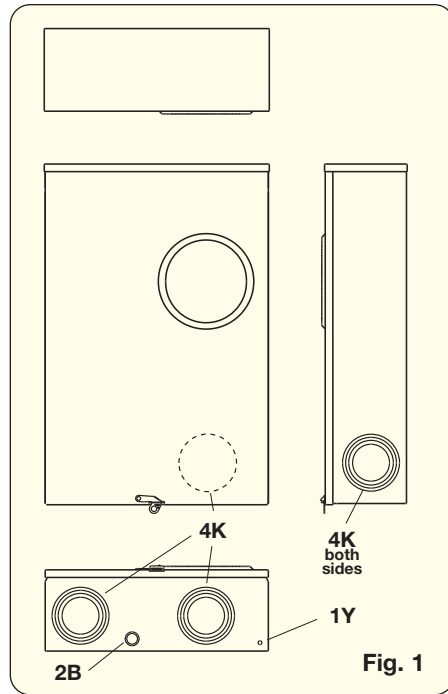
Part/UPC Number	Catalog Number	Service	Top Provision	Service Type	No. of Terminals	Bypass	Conductors Line/Load	Ground Provision (Qty)	Overall Dimensions			Knockout Layout
									Height	Width	Depth	
320 Amp - Continuous (AIC Rated per Table RL9 on page 43)												
78205140883	EL32T44GRST	UG Bussed Offset	None	1Ø/3W	4 †	Lever Bypass	3/8"-16 Stud 3/8"-16 Stud	(1) #10 AWG-1/0 AWG	27 ⁵ / ₈ "	18 ¹ / ₄ "	7 ¹ / ₈ "	Fig. 1
78205138481	EL32T45GR1N	OH/UG Non-Bussed Offset	H10	1Ø/3W	4 †	Lever Bypass	3/8"-16 Stud 3/8"-16 Stud	(1) #10 AWG-1/0 AWG	38 ¹ / ₈ "	18 ¹ / ₄ "	7 ¹ / ₈ "	Fig. 2
78205138485	EL32T46GRST	OH/UG Bussed Offset	H10	1Ø/3W	4 †	Lever Bypass	3/8"-16 Stud 3/8"-16 Stud	(1) #10 AWG-1/0 AWG	36 ⁵ / ₈ "	18 ¹ / ₄ "	7 ¹ / ₈ "	Fig. 3
78205138484	EL32T75GR1N	OH/UG Non-Bussed Offset	H10	3Ø/4W	7	Lever Bypass	3/8"-16 Stud 3/8"-16 Stud	(1) #10 AWG-1/0 AWG	38 ¹ / ₈ "	18 ¹ / ₄ "	7 ¹ / ₈ "	Fig. 2
78205138486	EL32T76GRST	OH/UG Bussed Offset	H10	3Ø/4W	7	Lever Bypass	3/8"-16 Stud 3/8"-16 Stud	(1) #10 AWG-1/0 AWG	39 ¹ / ₈ "	20 ¹ / ₄ "	7 ¹ / ₈ "	Fig. 3

† 5th jaw provisions at six (6) o'clock and nine (9) o'clock

Data subject to change without notice. Consult local utility for area acceptance. All dimensions are in inches.

320 Amp Continuous - 600 VAC

Knockout Layouts



Knockouts - Conduit Sizes

- 1Y = 5/16" dia.
- 1Z = 7/16" dia.
- 2B = 3/4" - 1/2"
- 4K = 4", 3 1/2" - 3" - 2 1/2"
- HH = H Hub Opening (Large)

Data subject to change without notice. Consult local utility for area acceptance. All dimensions are in inches.