

AHL and EHL Incandescent Factory Sealed Luminaires and Handlamps

Explosionproof

Suitable for use in Wet Locations.

AHL

Class I, Division 1 and 2, Groups C, D
Class II, Division 1 and 2, Groups F, G
Class III

EHL

Class I, Division 1 and 2, Groups C, D

Applications

- AHL general purpose explosionproof lighting fixture – an A-51 fixture with handle assembly of hook and cable clamp.
CAUTION: For safe operation, the AHL fixture weight must be supported by the hanger hook, not by the flexible cord, per the National Electrical Code.
- EHL general purpose explosionproof portable handlamp. Only 5"/127 mm in diameter for ease of movement.

Features:

- AHL and EHL
 - Equipped with connection block for ease of wiring and relamping.
 - Cable clamp diameters: AHL – .375" to .625"/9.5 mm to 15.9 mm; EHL – .406"/10.3 mm for 16-3 AWG.
 - Heat- and impact-resistant glass globes.
- AHL
 - Sturdy fixture with rugged hanging hook.
 - Safety grounding – additional terminal furnished to connect to grounding conductor.
- EHL
 - Portability, with phenolic handle and non-sparking guard with hook.
 - Easy relamping – loosen setscrew, unscrew guard, remove globe and insert lamp.
 - Safety grounding – remove cable and clamp and make connections to terminal (including one ground terminal) then tighten clamp.

Standard Materials

- Globes: heat-and impact-resistant glass
- AHL fixture unit, hook and guard: copperfree aluminum
- AHL cable clamp: brass
- EHL fixture body and handle: laminated phenolic
- EHL handle: laminated phenolic
- EHL hook: brass
- EHL guard: copperfree aluminum

Standard Finishes

- AHL fixture unit, guard, handle and hook: two-coat epoxy enamel
- AHL cable clamp: natural finish
- EHL fixture body: laminated phenolic
- EHL handle: phenolic
- EHL guard and hook: guard – natural finish; hook – zinc electroplate and clear chromate
- EHL cable clamp: laminated phenolic

Certifications and Compliances

- UL Standard: UL 1598, UL 844
- EHL UL Listed: E59147
- CSA Certification: LR25428

Related Products

- The EHL handlamp may be used with AE Automatic Take-Up Reelites listed in the *Specialty Products* section and ECC Cord Connector and Plugs and Receptacles in the *Plug and Receptacles* section.



AHL



EHL

❗ To reduce the risk of ignition of hazardous atmospheres, do not use where electrically conductive dusts are present (most coal dusts are not electrically conductive).

AHL and EHL Incandescent Factory Sealed Luminaires and Handlamps

Explosionproof






Suitable for use in Wet Locations.

AHL

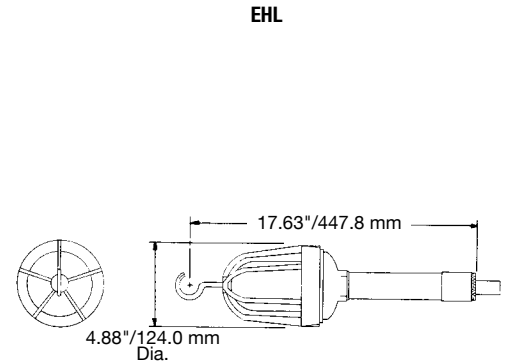
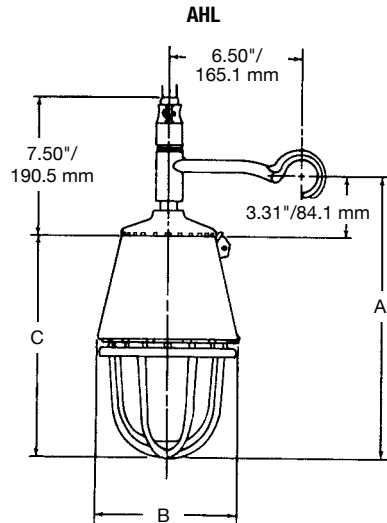
Class I, Division 1 and 2, Groups C, D
Class II, Division 1 and 2, Groups F, G, G
Class III

EHL

Class I, Division 1 and 2, Groups C, D

Description	Cable Diameter (Inches)	"T" Ratings	Catalog Number
AHL – Explosionproof 60 - 300 W Lighting Fixtures			
<i>CAUTION: For safe operation, weight of fixture must be supported by hanger hook, not by the flexible cord, per the National Electrical Code.</i>			
 60-100 W, A-21 (AAU-1N)	.375 to .625	T4	AHL100
 200-300 W, PS-30 (AAU-2NS)	.375 to .625	T4A	AHL200
EHL – Explosionproof 100 W Portable Handlamp Ⓢ			
Laminated Phenolic Handle. Wiring Connection Block takes from #16 to #14 Wire.			
 100 W, A-21	.406	T3A	EHL100N
EHL Replacement Globe and Guard			
 Heat-resistant glass globe			XP419
 Aluminum guard with hook			XP163SA

Dimensions in Inches/Millimeters



Catalog Number	A	B	C
AHL100	14.25/362.0	7.06/179.3	10.94/277.9
AHL200	15.94/404.9	8.81/223.8	12.63/320.8

- Ⓢ To reduce the risk of ignition of hazardous atmospheres, do not use where electrically conductive dusts are present (most coal dusts are not electrically conductive).
- Ⓢ Handlamp accommodates 16-3 SO cable. Contact your sales representative if 14-3 cable is required.