

Areamaster™ LED Flood/High Bay Luminaires

250 W, 400 W, 750 W HID Light Level Equivalent

NEC/CEC:

Class I, Division 2, Groups A, B, C, D
Class I, Zone 2 AEx nA IIC, Ex nA IIC
Type 3R, 4, 4X
IP66/67

NEC:

Marine Outside Type (Salt Water)
Wet Locations

ATEX/IECEX:

⊕ II 3 G
Ex nA IIC T4 Gc
Ta -25 °C to +40 °C (-13 °F to +104 °F)
IP66

Applications

- Typical applications include:
 - Pulp and paper mills
 - Processing plants
 - Chemical plants
 - Oil refineries
 - Foundries
 - Food processing plants
 - Storage areas
 - Waste and sewage treatment
 - Parking garages
 - Other areas where water, dirt and rough usage are a problem

Features

- Compact in size, attractively styled contemporary design, rugged and dependable.
- Easy to install and service.
- One-piece housing.
- One-piece lens in hinged cover. Secured by four M6 captive stainless steel slotted hex-head bolts.
- Thermal shock- and impact-resistant glass lens standard.
- Diffused polycarbonate lens available as an option.
- Heavy duty, high temperature silicone rubber gasket, mechanically secured.
- Universal design for flood and high bay mounting.
- Floodlight Mounting:
 - Yoke mount, zinc plated steel yoke with architectural bronze polyester finish.
- High Bay Mounting:
 - (1) Conduit entry on back of luminaire with locking set screw.
 - Rotate yoke up or remove.
- Chain Mounting:
 - Mounts via eyebolts threaded into the corners of the fixture.
 - Available with chain mounting, or as an accessory.
 - Rotate yoke up or remove.
- Cool operating temperatures translate into long luminaire life.
- NEC/CEC versions available with a total of three (3) 3/4" NPT entries with integral bushings.
- ATEX version provided with one (1) 3/4" NPT/M20 adapter and two (2) close up plugs.
- Two (2) 3/4" NPT aluminum close up plugs provided.
- Electrical:
 - NEC/CEC: 120-277 Vac, 50/60 Hz; 347-480 Vac, 50/60 Hz.; 250 Vdc available on AMLED67YBC and AMLED77YBC.
 - ATEX/IECEX: 220-240 Vac, 50/60 Hz.
- Terminal block (screw type for secure connection) can accept UL/CSA 24-10AWG and IEC 0.2 - 4 mm².

Standard Materials

- Housing and lens door: copperfree (4/10 of 1% max.) aluminum
- Gasket: silicone rubber
- Reflector: metallized high reflectance finish
- Yoke mount: zinc plated steel
- Bolts: stainless steel
- Close up plugs: (2) aluminum provided

Standard Finishes

- Housing, lens cover and yoke mount: architectural bronze polyester



Floodlight



High Bay

NEC/CEC Certifications and Compliances

- UL Standard: UL 1598, UL 1598A, UL 8750, UL 844
- UL Listed: E10794
- CSA Standards: C22.2 No. 250.0, C22.2 No. 137

ATEX/IECEX Certifications and Compliances

- Gas
 - Conforming to ATEX 94/9/EC: ⊕ II 3 G
 - ATEX Protection: Ex nA IIC
 - T Rating: T4 (Ta < +40 °C) (Ta < +104 °F)
 - Ambient Temperature: -25 °C < Ta < 40 °C (-13 °F < Ta < 104 °F)
 - ATEX Certificate: DEMKO 12 ATEX 1225382
 - Index of Protection: IP66
 - CE Declaration of Conformity: 12-01
 - Ex Standards: EN / IEC 60079-0 2009; 60079-15:2010
 - Product Standards: EN / IEC 60598-1; 60598-2-22
 - EMC Standards: EN / IEC 55015; 61547
 - Other Standards: EN / IEC 60529; 1991/A1 2000 (IP)

Areamaster™ LED Flood/High Bay Luminaires

250 W, 400 W, 750 W HID Light Level Equivalent

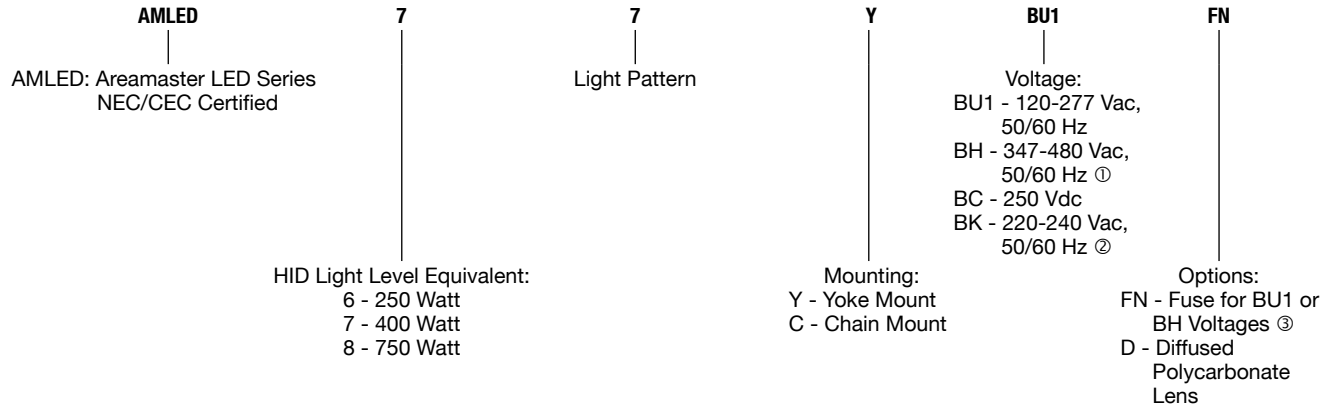
NEC/CEC:
Class I, Division 2, Groups A, B, C, D
Class I, Zone 2 AEx nA IIC, Ex nA IIC
Type 3R, 4, 4X
IP66/67

NEC:
Marine Outside Type (Salt Water)
Wet Locations

ATEX/IECEX:
Ex II 3 G
Ex nA IIC T4 Gc
Ta -25 °C to +40 °C (-13 °F to +104 °F)
IP66


Order using catalog numbering guide below or select catalog number from tables on following pages.

Catalog Numbering Guide



① Not available for use on the 750 Watt equivalent.

② 220-240 Vac, 50/60 Hz voltage is only available for use on the 400 Watt equivalent fixture.

③ Canadian Electrical Code does NOT allow fusing in hazardous locations . Fuse not CEC rated.

Areamaster™ LED Flood/High Bay Luminaires

250 W, 400 W, 750 W HID Light Level Equivalent

NEC/CEC:
Class I, Division 2, Groups A, B, C, D
Class I, Zone 2 AEx nA IIC, Ex nA IIC
Type 3R, 4, 4X
IP66/67

NEC:
Marine Outside Type (Salt Water)
Wet Locations

ATEX/IECEx:
Ⓜ II 3 G
Ex nA IIC T4 Gc
Ta -25 °C to +40 °C (-13 °F to +104 °F)
IP66

Technical Data

Catalog Number	Lamp		NEC/CEC					ATEX/IECEx			
			Ambient Temperature °C (°F)	Supply Wire Temperature °C (°F)	Class I, Division 2 ①	Gas		Dust		Gas	
						Line Voltage	Type	Groups	ExnA IIC AExnA IIC	Class II, Division 1 Groups E,F,G	ExII3G ExnA ②
AMLED67YBU1	120-277 Vac	LED	40 (104)	75 (167)	T4	A,B,C,D	T4	—	—	—	
			55 (131)	90 (194)	T3C	A,B,C,D	T3	—	—	—	
			65 (149)	90 (194)	T3C	A,B,C,D	T3	—	—	—	
AMLED67YBH	347-480 Vac	LED	40 (104)	75 (167)	T4	A,B,C,D	T4	—	—	—	
AMLED67YBC	250 Vdc	LED	40 (104)	75 (167)	T4A	A,B,C,D	T4	—	—	—	
AMLED77YBU1	120-277 Vac	LED	40 (104)	75 (167)	T4	A,B,C,D	T4	—	—	—	
			55 (131)	90 (194)	T3C	A,B,C,D	T3	—	—	—	
			65 (149)	90 (194)	T3C	A,B,C,D	T3	—	—	—	
AMLED77YBH	347-480 Vac	LED	40 (104)	75 (167)	T4	A,B,C,D	T4	—	—	—	
AMLED77YBK	220-240 Vac	LED	40 (104)	60 (140)	T4	A,B,C,D	T4	—	T4	IIC	
AMLED77YBC	250 Vdc	LED	40 (104)	75 (167)	T4A	A,B,C,D	T4	—	—	—	
AMLED87YBU1	120-277 Vac	LED	40 (104)	75 (167)	T3C	A,B,C,D	T3	—	—	—	
			55 (131)	90 (194)	T3A	A,B,C,D	T3	—	—	—	

“T” Numbers Represent the Maximum Internal Temperature ① or Maximum Surface Temperature ②

“T” Number	NEC/CEC															
	T1	350	325	T2	T2A	T2B	T2C	T2D	T3	T3A	T3B	T3C	T4	T4A	T5	T6
Temp. Range (°C)	351-450	326-350	301-325	281-300	261-280	231-260	216-230	201-215	181-200	166-180	161-165	136-160	121-135	101-120	86-100	85
Temp. Range (°F)	664-842	619-662	574-617	538-572	502-536	448-500	421-446	394-419	358-392	331-356	322-329	277-320	250-275	214-248	187-12	185

“T” Number	ATEX/IECEx							
	T1	T2		T3		T4	T5	T6
Temp. Range (°C)	301-450	201-300		136-200		101-135	86-100	85
Temp. Range (°F)	547-842	394-572		277-392		214-275	187-212	185

① T numbers represent the maximum internal temperature for Class I, Division 2 and Class I, Zone 2 locations designated by the NEC.

② T numbers represent the maximum surface temperature under a dust blanket for Class II, Division 1 and Class I, Zone 2 as designated by the NEC or Zone 2 (Gas) and 22 (Dust) locations as designated by the IEC.

Areamaster™ LED Flood/High Bay Luminaires

250 W, 400 W, 750 W HID Light Level Equivalent


NEC/CEC:
Class I, Division 2, Groups A, B, C, D
Class I, Zone 2 AEx nA IIC, Ex nA IIC
Type 3R, 4, 4X
IP66/67

NEC:
Marine Outside Type (Salt Water)
Wet Locations

ATEX/IECEX:
Ⓜ II 3 G
Ex nA IIC T4 Gc
Ta -25 °C to +40 °C (-13 °F to +104 °F)
IP66

Electrical Specifications — Flood Mount

Catalog Number	Voltage Range	Frequency (Hz)	Watts Input Power (Nom.)	Input Amps (Max.)	Total Harmonic Distortion	Power Factor
AMLED67YBU1	120-277 Vac	50/60	76/74	0.64 - 0.32	0.5	> 0.98
AMLED67YBH	347-480 Vac	50/60	76/76	0.22 - 0.16	0.5	> 0.96
AMLED67YBC	250 Vdc	—	76	0.30	0.5	> 0.98
AMLED77YBU1	120-277 Vac	50/60	125/121	1.10 - .047	0.5	> 0.98
AMLED77YBH	347-480 Vac	50/60	120/119	0.35 - 0.25	0.5	> 0.96
AMLED77YBK	220-240 Vac	50/60	117	0.53 - 0.48	0.5	> 0.98
AMLED77YBC	250 Vdc	—	118	0.47	0.5	> 0.98
AMLED87YBU1	120-277 Vac	50/60	174/169	1.60 - 0.70	0.5	> 0.98

	Line Voltage	Catalog Number	
		NEC/CEC	ATEX/IECEX
	120-277 Vac, 50/60 Hz	AMLED67YBU1	—
	120-277 Vac, 50/60 Hz	AMLED77YBU1	—
	120-277 Vac, 50/60 Hz	AMLED87YBU1	—
	347-480 Vac, 50/60 Hz	AMLED67YBH	—
	347-480 Vac, 50/60 Hz	AMLED77YBH	—
	250 Vdc	AMLED77YBC ①	—
	250 Vdc	AMLED67YBC ①	—
	220-240 Vac, 50/60 Hz	—	AMLED77YBK

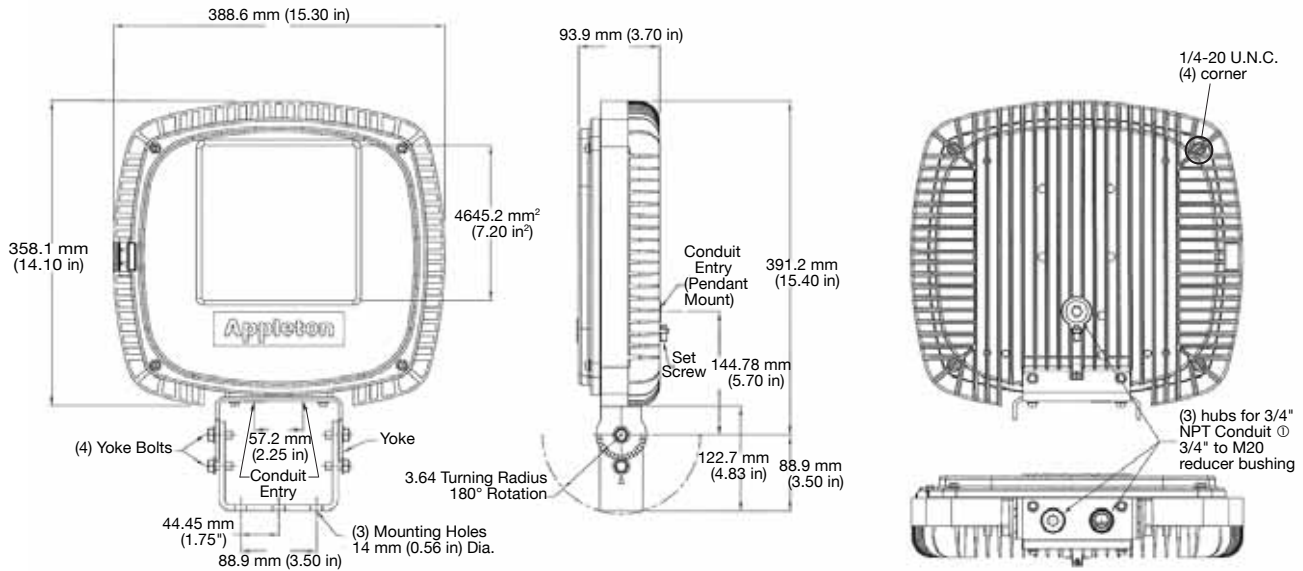
① Fixture is not certified.

Areamaster™ LED Flood/High Bay Luminaires

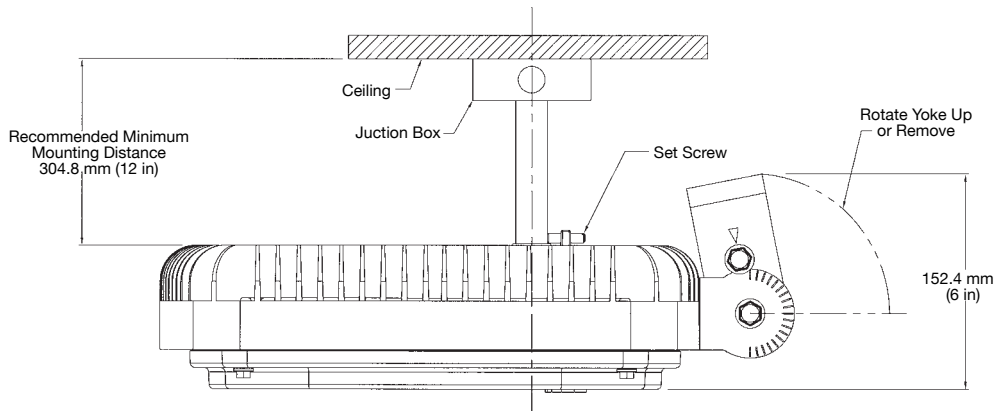
250 W, 400 W, 750 W HID Light Level Equivalent

Dimensions in Millimeters (Inches)

Floodlight



High Bay Pendant Mount



① 3/4" NPT/M20 adapter supplied for ATEX version.