

DOOR GASKETING, SHIELDING AND DOOR BARS OVERVIEW



Foam-in-place gasket



PROLINE door
with HF2 (medium
performance)
shielding

ProLine external components—including doors, covers, sides, tops and bases—attach easily to the ProLine frame in a number of configurations to suit your needs. Start with a rugged, reliable frame, then select additional components as your application dictates. Most external components are available in both EMC-shielded and non-shielded versions.

Seamless Foam-in-Place Gasketing

Non-shielded components are painted inside and out and include a seamless foam-in-place gasket to provide a dust-tight, moisture-tight seal.

EMC Shielding

Clear plated components (exterior painted) and a conductive fabric-over-foam gasket provide an HF2 level of shielding.

Door Bars

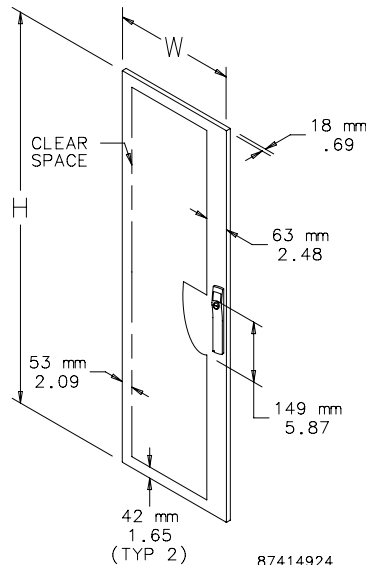
Door bars are included inside all ProLine doors taller than 700 mm and wider than 400 mm (except window doors). These sturdy door bars provide maximum rigidity and can be used for mounting accessories. Door bars are constructed of steel with an aluminum zinc alloy coating that provides both corrosion resistance and electrical conductivity. Holes are located in the square tube profile for mounting accessories using M5 screws.

SOLID DOORS



Steel doors are finished with RAL 7035 textured light-gray polyester powder paint (except stainless steel). EMC doors are finished with paint over plated surfaces. A removable door bar system is included on doors taller than 700 mm and wider than 400 mm. Optional data pockets, door stops, grounding kits and 180-degree hinges are available. Hinge side is reversible. A flush bezel latch operates the 3-point latching system. Doors for 700-mm frames have 2-point latching. Hidden hinges (130-degree swing) permit attachment to the front or back of each enclosure frame. The use of a side-door adapter or a cable entry cabinet allows doors to be attached to the sides of the enclosure frame. Hinges have easy slide retained hinge pins. Door gasket is foam-in-place urethane to provide a resilient, seamless seal. Two grounding studs are furnished. All mounting hardware is included.

BULLETIN: P20, P20EM, P20S, P21

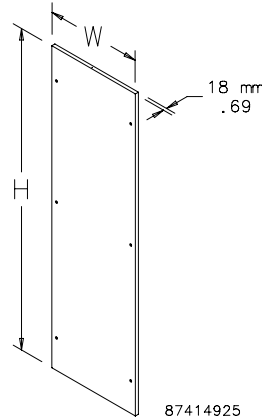


| Catalog Number | Door Type | Gauge | Fits Frame | | |
|----------------|-----------------|-------|-------------|------------|---------------|
| | | | A x B | H x W (mm) | H x W (in.) |
| PDS76R | Steel | 16 | 700 x 600 | 639 x 592 | 25.16 x 23.31 |
| PDS76SS | Stainless Steel | 16 | 700 x 600 | 639 x 592 | 25.16 x 23.31 |
| PDS78R | Steel | 14 | 700 x 800 | 639 x 792 | 25.16 x 31.18 |
| PDS78RHF2 | EMC | 14 | 700 x 800 | 639 x 792 | 25.16 x 31.18 |
| PDS78SS | Stainless Steel | 14 | 700 x 800 | 639 x 792 | 25.16 x 31.18 |
| PDS126 | Steel | 16 | 1200 x 600 | 1139 x 592 | 44.84 x 23.31 |
| PDS128 | Steel | 16 | 1200 x 800 | 1139 x 792 | 44.84 x 31.18 |
| PDS146 | Steel | 16 | 1400 x 600 | 1339 x 592 | 52.72 x 23.31 |
| PDS146HF2 | EMC | 16 | 1400 x 600 | 1339 x 592 | 52.72 x 23.31 |
| PDS146SS | Stainless Steel | 16 | 1400 x 600 | 1339 x 592 | 52.72 x 23.31 |
| PDS148 | Steel | 14 | 1400 x 800 | 1339 x 792 | 52.72 x 31.18 |
| PDS148HF2 | EMC | 14 | 1400 x 800 | 1339 x 792 | 52.72 x 31.18 |
| PDS148SS | Stainless Steel | 14 | 1400 x 800 | 1339 x 792 | 52.72 x 31.18 |
| PDS165 | Steel | 16 | 1600 x 500 | 1539 x 492 | 60.59 x 19.69 |
| PDS166 | Steel | 16 | 1600 x 600 | 1539 x 592 | 60.59 x 23.31 |
| PDS166SS | Stainless Steel | 16 | 1600 x 600 | 1539 x 592 | 60.59 x 23.31 |
| PDS168 | Steel | 14 | 1600 x 800 | 1539 x 792 | 60.59 x 31.18 |
| PDS184 | Steel | 16 | 1800 x 400 | 1739 x 392 | 68.46 x 15.43 |
| PDS185 | Steel | 16 | 1800 x 500 | 1739 x 492 | 68.46 x 19.69 |
| PDS186 | Steel | 16 | 1800 x 600 | 1739 x 592 | 68.46 x 23.31 |
| PDS186HF2 | EMC | 16 | 1800 x 600 | 1739 x 592 | 68.46 x 23.31 |
| PDS186SS | Stainless Steel | 16 | 1800 x 600 | 1739 x 592 | 68.46 x 23.31 |
| PDS188 | Steel | 14 | 1800 x 800 | 1739 x 792 | 68.46 x 31.18 |
| PDS188HF2 | EMC | 14 | 1800 x 800 | 1739 x 792 | 68.46 x 31.18 |
| PDS188SS | Stainless Steel | 14 | 1800 x 800 | 1739 x 792 | 68.46 x 31.18 |
| PDS1810 | Steel | 14 | 1800 x 1000 | 1739 x 992 | 68.46 x 39.06 |
| PDS1810HF2 | EMC | 14 | 1800 x 1000 | 1739 x 992 | 68.46 x 39.06 |
| PDS204 | Steel | 16 | 2000 x 400 | 1939 x 392 | 76.34 x 15.75 |
| PDS205 | Steel | 16 | 2000 x 500 | 1939 x 492 | 76.34 x 19.69 |
| PDS206 | Steel | 16 | 2000 x 600 | 1939 x 592 | 76.34 x 23.31 |
| PDS206HF2 | EMC | 16 | 2000 x 600 | 1939 x 592 | 76.34 x 23.31 |
| PDS206SS | Stainless Steel | 16 | 2000 x 600 | 1939 x 592 | 76.34 x 23.31 |
| PDS207 | Steel | 16 | 2000 x 700 | 1939 x 692 | 76.34 x 27.24 |
| PDS207HF2 | EMC | 16 | 2000 x 700 | 1939 x 692 | 76.34 x 27.24 |
| PDS208 | Steel | 14 | 2000 x 800 | 1939 x 792 | 76.34 x 31.18 |
| PDS208HF2 | EMC | 14 | 2000 x 800 | 1939 x 792 | 76.34 x 31.18 |
| PDS208SS | Stainless Steel | 14 | 2000 x 800 | 1939 x 792 | 76.34 x 31.18 |
| PDS2010 | Steel | 14 | 2000 x 1000 | 1939 x 992 | 76.34 x 39.06 |
| PDS2010HF2 | EMC | 14 | 2000 x 1000 | 1939 x 992 | 76.34 x 39.06 |
| PDS2010SS | Stainless Steel | 14 | 2000 x 1000 | 1939 x 992 | 76.34 x 39.06 |
| PDS225 | Steel | 16 | 2200 x 500 | 2139 x 492 | 84.21 x 19.69 |
| PDS226 | Steel | 16 | 2200 x 600 | 2139 x 592 | 84.21 x 23.31 |
| PDS226SS | Stainless Steel | 16 | 2200 x 600 | 2139 x 592 | 84.21 x 23.31 |
| PDS227 | Steel | 16 | 2200 x 700 | 2139 x 692 | 84.21 x 27.24 |
| PDS227HF2 | EMC | 16 | 2200 x 700 | 2139 x 692 | 84.21 x 27.24 |
| PDS228 | Steel | 14 | 2200 x 800 | 2139 x 792 | 84.21 x 31.18 |
| PDS228SS | Stainless Steel | 14 | 2200 x 800 | 2139 x 792 | 84.21 x 31.18 |
| PDS2210 | Steel | 14 | 2200 x 1000 | 2139 x 992 | 84.21 x 39.06 |



Use a Solid Cover on the front or rear of the enclosure frame as a substitute for a door. Solid covers attach to the enclosure frame with semi-flush screws and include hangers for easy alignment of cover screws. Covers are painted RAL 7035 textured light-gray polyester powder paint (except stainless steel). EMC covers are finished with paint over plated surfaces. They include a foam-in-place urethane gasket and two ground studs. Mounting hardware is included.

BULLETIN: P20, P20EM, P20S, P21



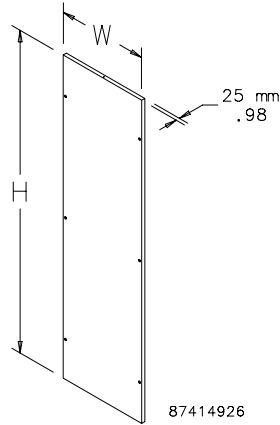
| Catalog Number | Cover Type | Gauge | Fits Frame | | |
|----------------|-----------------|-------|-------------|------------|---------------|
| | | | A x B | H x W (mm) | H x W (in.) |
| PCS76 | Steel | 16 | 700 x 600 | 639 x 592 | 25.16 x 23.31 |
| PCS76HF2 | EMC | 16 | 700 x 600 | 639 x 592 | 25.16 x 23.31 |
| PCS76SS | Stainless Steel | 16 | 700 x 600 | 639 x 592 | 25.16 x 23.31 |
| PCS78 | Steel | 14 | 700 x 800 | 639 x 792 | 25.16 x 31.18 |
| PCS78HF2 | EMC | 14 | 700 x 800 | 639 x 792 | 25.16 x 31.18 |
| PCS78SS | Stainless Steel | 14 | 700 x 800 | 639 x 792 | 25.16 x 31.18 |
| PCS126 | Steel | 16 | 1200 x 600 | 1139 x 592 | 44.84 x 23.31 |
| PCS128 | Steel | 14 | 1200 x 800 | 1139 x 792 | 44.84 x 31.18 |
| PCS146 | Steel | 16 | 1400 x 600 | 1339 x 592 | 52.72 x 23.31 |
| PCS146HF2 | EMC | 16 | 1400 x 600 | 1339 x 592 | 52.72 x 23.31 |
| PCS146SS | Stainless Steel | 16 | 1400 x 600 | 1339 x 592 | 52.72 x 23.31 |
| PCS148 | Steel | 14 | 1400 x 800 | 1339 x 792 | 52.72 x 31.18 |
| PCS148HF2 | EMC | 14 | 1400 x 800 | 1339 x 792 | 52.72 x 31.18 |
| PCS148SS | Stainless Steel | 14 | 1400 x 800 | 1339 x 792 | 52.72 x 31.18 |
| PCS166 | Steel | 16 | 1600 x 600 | 1539 x 592 | 60.59 x 23.31 |
| PCS166SS | Stainless Steel | 16 | 1600 x 600 | 1539 x 592 | 60.59 x 23.31 |
| PCS168 | Steel | 14 | 1600 x 800 | 1539 x 792 | 60.59 x 31.18 |
| PCS168HF2 | EMC | 14 | 1600 x 800 | 1539 x 792 | 60.59 x 31.18 |
| PCS184 | Steel | 16 | 1800 x 400 | 1739 x 392 | 68.46 x 15.43 |
| PCS186 | Steel | 16 | 1800 x 600 | 1739 x 592 | 68.46 x 23.31 |
| PCS186HF2 | EMC | 16 | 1800 x 600 | 1739 x 592 | 68.46 x 23.31 |
| PCS186SS | Stainless Steel | 16 | 1800 x 600 | 1739 x 592 | 68.46 x 23.31 |
| PCS188 | Steel | 14 | 1800 x 800 | 1739 x 792 | 68.46 x 31.18 |
| PCS188HF2 | EMC | 14 | 1800 x 800 | 1739 x 792 | 68.46 x 31.18 |
| PCS188SS | Stainless Steel | 14 | 1800 x 800 | 1739 x 792 | 68.46 x 31.18 |
| PCS189 | Steel | 14 | 1800 x 900 | 1739 x 892 | 68.46 x 35.12 |
| PCS1810 | Steel | 14 | 1800 x 1000 | 1739 x 992 | 68.46 x 39.06 |
| PCS1810HF2 | EMC | 14 | 1800 x 1000 | 1739 x 992 | 68.46 x 39.06 |
| PCS1810SS | Stainless Steel | 14 | 1800 x 1000 | 1739 x 992 | 68.46 x 39.06 |
| PCS204 | Steel | 16 | 2000 x 400 | 1939 x 392 | 76.34 x 15.75 |
| PCS206 | Steel | 16 | 2000 x 600 | 1939 x 592 | 76.34 x 23.31 |
| PCS206HF2 | EMC | 16 | 2000 x 600 | 1939 x 592 | 76.34 x 23.31 |
| PCS206SS | Stainless Steel | 16 | 2000 x 600 | 1939 x 592 | 76.34 x 23.31 |
| PCS207 | Steel | 16 | 2000 x 700 | 1939 x 692 | 76.34 x 27.24 |
| PCS207HF2 | EMC | 16 | 2000 x 700 | 1939 x 692 | 76.34 x 27.24 |
| PCS208 | Steel | 14 | 2000 x 800 | 1939 x 792 | 76.34 x 31.18 |
| PCS208HF2 | EMC | 14 | 2000 x 800 | 1939 x 792 | 76.34 x 31.18 |
| PCS208SS | Stainless Steel | 14 | 2000 x 800 | 1939 x 792 | 76.34 x 31.18 |
| PCS209 | Steel | 14 | 2000 x 900 | 1939 x 892 | 76.34 x 35.12 |
| PCS2010 | Steel | 14 | 2000 x 1000 | 1939 x 992 | 76.34 x 39.06 |
| PCS2010HF2 | EMC | 14 | 2000 x 1000 | 1939 x 992 | 76.34 x 39.06 |
| PCS2010SS | Stainless Steel | 14 | 2000 x 1000 | 1939 x 992 | 76.34 x 39.06 |
| PCS226 | Steel | 16 | 2200 x 600 | 2139 x 592 | 84.21 x 23.31 |
| PCS226HF2 | EMC | 16 | 2200 x 600 | 2139 x 592 | 84.21 x 23.31 |
| PCS226SS | Stainless Steel | 16 | 2200 x 600 | 2139 x 592 | 84.21 x 23.31 |
| PCS227 | Steel | 16 | 2200 x 700 | 2139 x 692 | 84.21 x 27.24 |
| PCS227HF2 | EMC | 16 | 2200 x 700 | 2139 x 692 | 84.21 x 27.24 |
| PCS228 | Steel | 14 | 2200 x 800 | 2139 x 792 | 84.21 x 31.18 |
| PCS228HF2 | EMC | 14 | 2200 x 800 | 2139 x 792 | 84.21 x 31.18 |
| PCS228SS | Stainless Steel | 14 | 2200 x 800 | 2139 x 792 | 84.21 x 31.18 |
| PCS2210 | Steel | 14 | 2200 x 1000 | 2139 x 992 | 84.21 x 39.06 |
| PCS2210HF2 | EMC | 14 | 2200 x 1000 | 2139 x 992 | 84.21 x 39.06 |

SOLID SIDES



Solid Sides close the open sides of an enclosure frame and attach to the enclosure frame with semi-flush screws. Hangers are included for easy alignment of screws. Sides are painted with RAL 7035 textured light-gray polyester powder paint (except stainless steel) and have two grounding studs and a foam-in-place gasket. EMC Solid Sides are finished with paint over plated surfaces. Mounting hardware is included. Solid Sides are not suitable as barriers between joined enclosures.

BULLETIN: P20, P20EM, P20S



| Catalog Number | Type | Gauge | Fits Frame | | |
|----------------|-----------------|-------|------------|------------|---------------|
| | | | A x C | H x W (mm) | H x W (in.) |
| PSS76 | Steel | 16 | 700 x 600 | 639 x 553 | 25.16 x 21.77 |
| PSS76HF2 | EMC | 16 | 700 x 600 | 639 x 553 | 25.16 x 21.77 |
| PSS76SS | Stainless Steel | 16 | 700 x 600 | 639 x 553 | 25.16 x 21.77 |
| PSS125 | Steel | 16 | 1200 x 500 | 1139 x 453 | 44.84 x 17.84 |
| PSS145 | Steel | 16 | 1400 x 500 | 1339 x 453 | 52.72 x 17.83 |
| PSS145HF2 | EMC | 16 | 1400 x 500 | 1339 x 453 | 52.72 x 17.83 |
| PSS146 | Steel | 16 | 1400 x 600 | 1339 x 553 | 52.72 x 21.77 |
| PSS146HF2 | EMC | 16 | 1400 x 600 | 1339 x 553 | 52.72 x 21.77 |
| PSS146SS | Stainless Steel | 16 | 1400 x 600 | 1339 x 553 | 52.72 x 21.77 |
| PSS148 | Steel | 16 | 1400 x 800 | 1339 x 753 | 52.72 x 29.65 |
| PSS148HF2 | EMC | 16 | 1400 x 800 | 1339 x 753 | 52.72 x 29.65 |
| PSS148SS | Stainless Steel | 16 | 1400 x 800 | 1339 x 753 | 52.72 x 29.65 |
| PSS164 | Steel | 16 | 1600 x 400 | 1539 x 353 | 60.59 x 13.90 |
| PSS164HF2 | EMC | 16 | 1600 x 400 | 1539 x 353 | 60.59 x 13.90 |
| PSS165 | Steel | 16 | 1600 x 500 | 1539 x 453 | 60.59 x 17.83 |
| PSS165HF2 | EMC | 16 | 1600 x 500 | 1539 x 453 | 60.59 x 17.83 |
| PSS166 | Steel | 16 | 1600 x 600 | 1539 x 553 | 60.59 x 21.77 |
| PSS166SS | Stainless Steel | 16 | 1600 x 600 | 1539 x 553 | 60.59 x 21.77 |
| PSS168 | Steel | 16 | 1600 x 800 | 1539 x 753 | 60.59 x 29.65 |
| PSS168HF2 | EMC | 14 | 1600 x 800 | 1539 x 753 | 60.59 x 29.65 |
| PSS168SS | Stainless Steel | 16 | 1600 x 800 | 1539 x 753 | 60.59 x 29.65 |
| PSS184 | Steel | 16 | 1800 x 400 | 1739 x 353 | 68.46 x 13.90 |
| PSS184HF2 | EMC | 16 | 1800 x 400 | 1739 x 353 | 68.46 x 13.90 |
| PSS185 | Steel | 16 | 1800 x 500 | 1739 x 453 | 68.46 x 17.83 |
| PSS185HF2 | EMC | 16 | 1800 x 500 | 1739 x 453 | 68.46 x 17.83 |
| PSS186 | Steel | 16 | 1800 x 600 | 1739 x 553 | 68.46 x 21.77 |
| PSS186HF2 | EMC | 16 | 1800 x 600 | 1739 x 553 | 68.46 x 21.77 |
| PSS186SS | Stainless Steel | 16 | 1800 x 600 | 1739 x 553 | 68.46 x 21.77 |
| PSS188 | Steel | 16 | 1800 x 800 | 1739 x 753 | 68.46 x 29.65 |
| PSS188HF2 | EMC | 16 | 1800 x 800 | 1739 x 753 | 68.46 x 29.65 |
| PSS188SS | Stainless Steel | 16 | 1800 x 800 | 1739 x 753 | 68.46 x 29.65 |
| PSS204 | Steel | 16 | 2000 x 400 | 1939 x 353 | 76.34 x 13.90 |
| PSS204HF2 | EMC | 16 | 2000 x 400 | 1939 x 353 | 76.34 x 13.90 |
| PSS205 | Steel | 16 | 2000 x 500 | 1939 x 453 | 76.34 x 17.83 |
| PSS206 | Steel | 16 | 2000 x 600 | 1939 x 553 | 76.34 x 21.77 |
| PSS206HF2 | EMC | 16 | 2000 x 600 | 1939 x 553 | 76.34 x 21.77 |
| PSS206SS | Stainless Steel | 16 | 2000 x 600 | 1939 x 553 | 76.34 x 21.77 |
| PSS208 | Steel | 16 | 2000 x 800 | 1939 x 753 | 76.34 x 29.65 |
| PSS208HF2 | EMC | 16 | 2000 x 800 | 1939 x 753 | 76.34 x 29.65 |
| PSS208SS | Stainless Steel | 16 | 2000 x 800 | 1939 x 753 | 76.34 x 29.65 |
| PSS209 | Steel | 14 | 2000 x 900 | 1939 x 853 | 76.34 x 33.58 |
| PSS209HF2 | EMC | 14 | 2000 x 900 | 1939 x 853 | 76.34 x 33.58 |
| PSS225 | Steel | 16 | 2200 x 500 | 2139 x 453 | 84.21 x 17.83 |
| PSS225HF2 | EMC | 16 | 2200 x 500 | 2139 x 453 | 84.21 x 17.83 |
| PSS226 | Steel | 16 | 2200 x 600 | 2139 x 553 | 84.21 x 21.77 |
| PSS226HF2 | EMC | 16 | 2200 x 600 | 2139 x 553 | 84.21 x 21.77 |
| PSS228 | Steel | 16 | 2200 x 800 | 2139 x 753 | 84.21 x 29.65 |
| PSS228HF2 | EMC | 16 | 2200 x 800 | 2139 x 753 | 84.21 x 29.65 |
| PSS228SS | Stainless Steel | 16 | 2200 x 800 | 2139 x 753 | 84.21 x 29.65 |
| PSS229 | Steel | 14 | 2200 x 900 | 2139 x 853 | 84.21 x 33.58 |
| PSS229HF2 | EMC | 14 | 2200 x 900 | 2139 x 853 | 84.21 x 33.58 |

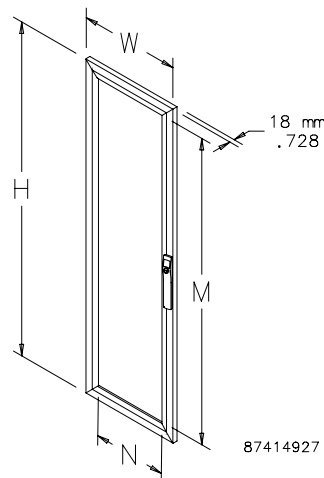


Window Doors can be used on the front or rear of PROLINE frames to provide viewing of electronic equipment. PROLINE Window Doors are designed around a mild steel profile. They have 140-degree hidden hinges and a flush bezel latch that operates a 3-point latching mechanism (doors for 700-mm frames have 2-point latching). Doors have either a smoke-gray tinted polycarbonate or a clear safety glass window; 180-degree hinges are available (order separately).

All Window Doors:

- Install easily on front or rear of enclosure frame; can be hinged on left or right
- Have a .25-in.-thick window that provides maximum protection and viewing area
- Have foam-in-place urethane gaskets for door and window to provide optimum sealing
- Have two grounding brackets with RAL 7035 gray textured polyester powder paint finish (except stainless steel)

BULLETIN: P20, P20S



| Catalog Number | Fits Frame A x B | Window Door Type | Safety Glass H x W mm/in. | Window Size M x N mm/in. |
|----------------|------------------|----------------------------------|-----------------------------|-----------------------------|
| PDWG76 | 700 x 600 | Mild Steel and Safety Glass | 639 x 593 25.16 x 23.34 | 518 x 446 20.38 x 17.55 |
| PDW76 | 700 x 600 | Mild Steel and Polycarbonate | 639 x 593 25.16 x 23.34 | 518 x 446 20.38 x 17.55 |
| PDWG76SS | 700 x 600 | Stainless Steel and Safety Glass | 639 x 592 25.16 x 23.30 | 518 x 446 20.38 x 17.55 |
| PDWG78 | 700 x 800 | Mild Steel and Safety Glass | 639 x 793 25.16 x 31.22 | 518 x 646 20.38 x 25.42 |
| PDW78 | 700 x 800 | Mild Steel and Polycarbonate | 639 x 793 25.16 x 31.22 | 518 x 646 20.38 x 25.42 |
| PDWG78SS | 700 x 800 | Stainless Steel and Safety Glass | 639 x 792 25.16 x 31.17 | 518 x 646 20.38 x 25.42 |
| PDWG146 | 1400 x 600 | Mild Steel and Safety Glass | 1339 x 593 52.72 x 23.34 | 1218 x 446 47.94 x 17.55 |
| PDW146 | 1400 x 600 | Mild Steel and Polycarbonate | 1339 x 593 52.72 x 23.34 | 1218 x 446 47.94 x 17.55 |
| PDWG146SS | 1400 x 600 | Stainless Steel and Safety Glass | 1339 x 592 52.72 x 23.30 | 1218 x 446 47.94 x 17.55 |
| PDWG148 | 1400 x 800 | Mild Steel and Safety Glass | 1339 x 793 52.72 x 31.22 | 1218 x 646 47.94 x 25.42 |
| PDW148 | 1400 x 800 | Mild Steel and Polycarbonate | 1339 x 793 52.72 x 31.22 | 1218 x 646 47.94 x 25.42 |
| PDWG166 | 1600 x 600 | Mild Steel and Safety Glass | 1539 x 593 60.59 x 23.34 | 1418 x 446 55.81 x 17.55 |
| PDW166 | 1600 x 600 | Mild Steel and Polycarbonate | 1539 x 593 60.59 x 23.34 | 1418 x 446 55.81 x 17.55 |
| PDWG166SS | 1600 x 600 | Stainless Steel and Safety Glass | 1539 x 592 60.59 x 23.30 | 1418 x 446 55.81 x 17.55 |
| PDWG168 | 1600 x 800 | Mild Steel and Safety Glass | 1539 x 793 60.59 x 31.22 | 1418 x 646 55.81 x 25.42 |
| PDW168 | 1600 x 800 | Mild Steel and Polycarbonate | 1539 x 792 60.59 x 31.17 | 1418 x 646 55.81 x 25.42 |
| PDWG186 | 1800 x 600 | Mild Steel and Safety Glass | 1739 x 593 68.46 x 23.34 | 1618 x 446 63.69 x 17.55 |
| PDW186 | 1800 x 600 | Mild Steel and Polycarbonate | 1739 x 593 68.46 x 23.34 | 1618 x 446 63.69 x 17.55 |
| PDWG188 | 1800 x 800 | Mild Steel and Safety Glass | 1739 x 793 68.46 x 31.22 | 1618 x 646 63.69 x 25.42 |
| PDW188 | 1800 x 800 | Mild Steel and Polycarbonate | 1739 x 792 68.46 x 31.17 | 1618 x 646 63.69 x 25.42 |
| PDWG188SS | 1800 x 800 | Stainless Steel and Safety Glass | 1739 x 792 68.46 x 31.17 | 1618 x 646 63.69 x 25.42 |
| PDWG206 | 2000 x 600 | Mild Steel and Safety Glass | 1939 x 593 76.34 x 23.34 | 1818 x 446 71.56 x 17.55 |
| PDW206 | 2000 x 600 | Mild Steel and Polycarbonate | 1939 x 593 76.34 x 23.34 | 1818 x 446 71.56 x 17.55 |
| PDWG206SS | 2000 x 600 | Stainless Steel and Safety Glass | 1939 x 592 76.34 x 23.30 | 1818 x 446 71.56 x 17.55 |
| PDWG207 | 2000 x 700 | Mild Steel and Safety Glass | 1939 x 693 76.34 x 27.28 | 1818 x 546 71.56 x 21.48 |
| PDW207 | 2000 x 700 | Mild Steel and Polycarbonate | 1939 x 693 76.34 x 27.28 | 1818 x 546 71.56 x 21.48 |
| PDWG208 | 2000 x 800 | Mild Steel and Safety Glass | 1939 x 793 76.34 x 31.22 | 1818 x 646 71.56 x 25.42 |
| PDW208 | 2000 x 800 | Mild Steel and Polycarbonate | 1939 x 792 76.34 x 31.17 | 1818 x 646 71.56 x 25.42 |
| PDWG208SS | 2000 x 800 | Stainless Steel and Safety Glass | 1939 x 792 76.34 x 31.17 | 1818 x 646 71.56 x 25.42 |
| PDWG226 | 2200 x 600 | Mild Steel and Safety Glass | 2139 x 593 84.21 x 23.34 | 2018 x 446 79.43 x 17.55 |
| PDW226 | 2200 x 600 | Mild Steel and Polycarbonate | 2139 x 593 84.21 x 23.34 | 2018 x 446 79.43 x 17.55 |
| PDWG227 | 2200 x 700 | Mild Steel and Polycarbonate | 2139 x 693 84.21 x 27.28 | 2018 x 546 79.43 x 21.48 |
| PDWG228 | 2200 x 800 | Mild Steel and Safety Glass | 2139 x 793 84.21 x 31.22 | 2018 x 646 79.43 x 25.42 |
| PDW228 | 2200 x 800 | Mild Steel and Polycarbonate | 2139 x 792 84.21 x 31.17 | 2018 x 646 79.43 x 25.42 |
| PDWG228SS | 2200 x 800 | Stainless Steel and Safety Glass | 2139 x 792 84.21 x 31.17 | 2018 x 646 79.43 x 25.42 |

OVERLAPPING DOORS

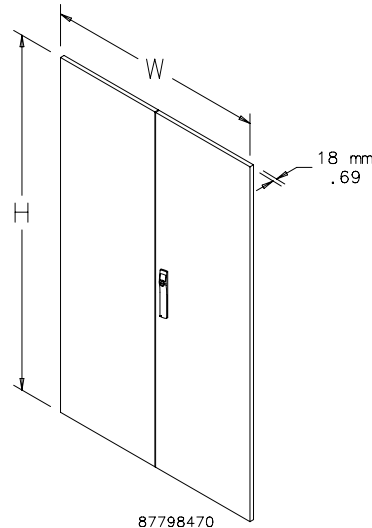


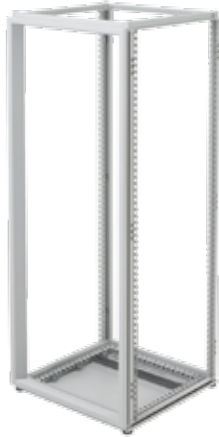
ProLine Overlapping Doors provide a door system for the full-width open front of 800,1000, 1200- and 1600-mm wide frames. A flush bezel latch operates the 3-point latching system. Doors for 700-mm frames utilize 2-point quarter-turn latching. The adjacent door features a two-point latching system that must be fully engaged prior to closing the master door.

The overlapping master/adjacent door design allows unobstructed access. Removable door bar is included on each door. Master door is hinged on the right side. Steel doors are 14 gauge and finished with RAL 7035 light-gray textured polyester powder paint finish (except stainless steel).

BULLETIN: P20, P21

| Catalog Number | Fits Frame A x B | H x W (mm) | H x W (in.) |
|----------------|------------------|-------------|---------------|
| PTOD78 | 700 x 800 | 639 x 792 | 25.16 x 31.18 |
| PTOD712 | 700 x 1200 | 639 x 1191 | 25.16 x 46.89 |
| PTOD1212 | 1200 x 1200 | 1139 x 1191 | 44.84 x 46.89 |
| PTOD148 | 1400 x 800 | 1339 x 792 | 52.72 x 31.18 |
| PTOD1412 | 1400 x 1200 | 1339 x 1191 | 52.72 x 46.89 |
| PTOD168 | 1600 x 800 | 1539 x 792 | 60.59 x 31.18 |
| PTOD1612 | 1600 x 1200 | 1539 x 1191 | 60.59 x 46.89 |
| PTOD188 | 1800 x 800 | 1739 x 792 | 68.46 x 31.18 |
| PTOD1810 | 1800 x 1000 | 1739 x 992 | 68.46 x 39.06 |
| PTOD1812 | 1800 x 1200 | 1739 x 1191 | 68.46 x 46.89 |
| PTOD1816 | 1800 x 1600 | 1739 x 1591 | 68.46 x 62.64 |
| PTOD1818 | 1800 x 1800 | 1739 x 1791 | 68.46 x 70.51 |
| PTOD208 | 2000 x 800 | 1939 x 792 | 76.34 x 31.18 |
| PTOD2010 | 2000 x 1000 | 1939 x 992 | 76.34 x 39.06 |
| PTOD2012 | 2000 x 1200 | 1939 x 1191 | 76.34 x 46.89 |
| PTOD2012SS | 2000 x 1200 | 1939 x 1191 | 76.34 x 46.89 |
| PTOD2016 | 2000 x 1600 | 1939 x 1591 | 76.34 x 62.64 |
| PTOD2018 | 2000 x 1800 | 1939 x 1791 | 76.34 x 70.51 |
| PTOD228 | 2200 x 800 | 2139 x 792 | 84.21 x 31.18 |
| PTOD2210 | 2200 x 1000 | 2139 x 992 | 84.21 x 39.06 |
| PTOD2212 | 2200 x 1200 | 2139 x 1191 | 84.21 x 46.89 |
| PTOD2212SS | 2200 x 1200 | 2139 x 1191 | 84.21 x 46.89 |

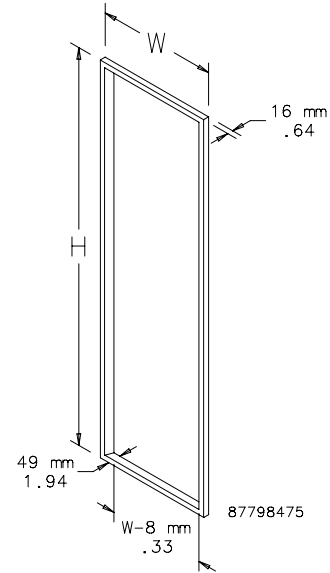




A Dress Frame provides a decorative trim when a front door or cover is not used. The dress frame can be installed on the front or rear of a ProLine frame as a substitute for a door. The painted steel dress frame, finished with RAL 7035 textured light-gray polyester powder paint, is provided with a snap-in design for easy installation with no tools required. Order rack angles separately, if needed.

BULLETIN: P20

| Catalog Number | Nominal Size | H x W (mm) | H x W (in.) |
|----------------|--------------|------------|---------------|
| PDF76 | 700 x 600 | 639 x 591 | 25.16 x 23.26 |
| PDF146 | 1400 x 600 | 1339 x 591 | 52.72 x 23.26 |
| PDF166 | 1600 x 600 | 1539 x 591 | 60.56 x 23.26 |
| PDF186 | 1800 x 600 | 1739 x 591 | 68.47 x 23.26 |
| PDF206 | 2000 x 600 | 1939 x 591 | 76.34 x 23.26 |
| PDF226 | 2200 x 600 | 2139 x 591 | 84.21 x 23.26 |



DISCONNECT DOOR FOR PROLINE ENCLOSURES



Disconnect Doors provide a means to mount flange-mount disconnects to ProLine Enclosures. Hinged mullion provides unobstructed access to interior, thus easing equipment installation.

Disconnect mullion is hinged to provide easy disconnect installation and maximum access to subpanel. Removable door bar is included on disconnect door. A flush handle with defeater operates an internal 3-point latch system on disconnect door and latches to the disconnect mullion. Interlocking is provided from master door to disconnect mullion. The disconnect mullion and disconnect door include 140-degree hinges and are gasketed to maintain enclosure integrity. Steel doors are 14 gauge and painted with RAL 7035 light-gray textured polyester powder.

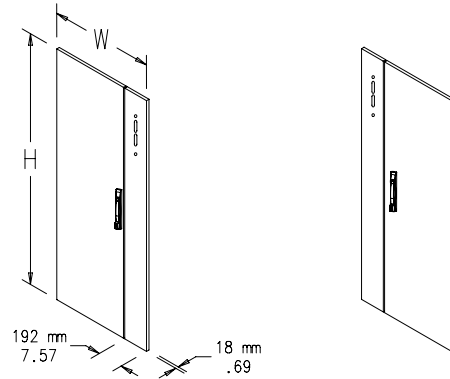
Enclosures with a preferred cutout will accept the disconnect switches listed in the Preferred Cutout Overview section.

ProLine enclosures with disconnect doors that have a large cutout provision will accept the following types of flange-mounted disconnect devices:

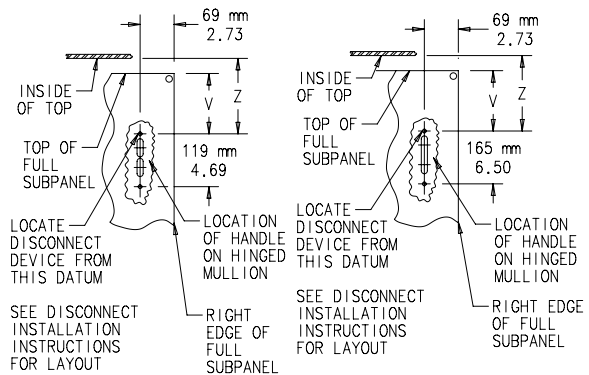
Allen-Bradley

- Large handle to be used with 400A or greater disconnect switches and 600A or greater circuit breakers.
- **Siemens ITE**
- MAX-FLEX FHOHN handle used with MD 800 amp, ND (1200 amp), PD (1600 amp) and RD (2000 amp).

BULLETIN: P20, P20DC



87414962



Standard Product

| Catalog Number | Cutout Provision | Fits Frame A x B mm/in. | H x W mm/in. | V mm/in. | Z mm/in. |
|----------------|----------------------|----------------------------|------------------------------|--------------|--------------|
| PTDCC166 | Preferred right-hand | 1600 x 600 | 1539 x 594 60.59 x 23.39 | 221 8.70 | 269 10.57 |
| PLTDDC166 | Preferred left-hand | 1600 x 600 | 1539 x 594 60.59 x 23.39 | 221 8.70 | 269 10.57 |
| PTDCC168 | Preferred right-hand | 1600 x 800 | 1539 x 794 60.59 x 31.26 | 221 8.70 | 269 10.57 |
| PLTDDC168 | Preferred left-hand | 1600 x 800 | 1539 x 794 60.59 x 31.26 | 221 8.70 | 269 10.57 |
| PTDCC186 | Preferred right-hand | 1800 x 600 | 1739 x 594 68.46 x 23.39 | 321 12.64 | 369 14.51 |
| PTDCC188 | Preferred right-hand | 1800 x 800 | 1739 x 794 68.46 x 31.26 | 321 12.64 | 369 14.51 |
| PLTDDC188 | Preferred left-hand | 1800 x 800 | 1739 x 794 68.46 x 31.26 | 321 12.64 | 369 14.51 |
| PTDCC206 | Preferred right-hand | 2000 x 600 | 1939 x 594 76.34 x 23.39 | 421 16.57 | 469 18.45 |
| PLTDDC206 | Preferred left-hand | 2000 x 600 | 1939 x 594 76.34 x 23.39 | 421 16.57 | 469 18.45 |
| PTDCC208 | Preferred right-hand | 2000 x 800 | 1939 x 794 76.34 x 31.26 | 421 16.57 | 469 18.45 |
| PLTDDC208 | Preferred left-hand | 2000 x 800 | 1939 x 794 76.34 x 31.26 | 421 16.57 | 469 18.45 |
| PTDCC1810 | Preferred right-hand | 1800 x 1000 | 1739 x 994 68.46 x 39.13 | 321 12.64 | 369 14.51 |
| PLTDDC1810 | Preferred left-hand | 1800 x 1000 | 1739 x 994 68.46 x 39.13 | 321 12.64 | 369 14.51 |
| PTDCC2010 | Preferred right-hand | 2000 x 1000 | 1939 x 994 76.34 x 39.13 | 421 16.57 | 469 18.45 |
| PLTDDC2010 | Preferred left-hand | 2000 x 1000 | 1939 x 994 76.34 x 39.13 | 421 16.57 | 469 18.45 |
| PTDLDC206 | Large right-hand | 2000 x 600 | 1939 x 594 76.34 x 23.39 | 435 17.13 | 483 19.01 |
| PTDLDC208 | Large right-hand | 2000 x 800 | 1939 x 794 76.34 x 31.26 | 435 17.13 | 483 19.01 |
| PTDLDC2010 | Large right-hand | 2000 x 1000 | 2000 x 1000 76.34 x 39.13 | 435 17.13 | 483 19.01 |

PREFERRED-CUTOUT OVERVIEW



APPLICATION

Enclosures having the preferred cutout are sized for use with up to 200A disconnect switches and up to 400A circuit breakers unless otherwise specified. The preferred cutout accepts the smaller operating handle whose mounting hole centers are 4.688 in. apart. Preferred cutouts are standard in mild steel wall-mount enclosures, modular enclosures and some select large mild steel enclosures. They are also present on all standard stainless steel offerings. 400 A (or greater) disconnect switches and 600 A (or greater) circuit breakers require the "Large" or "High Amp" cutout. This cutout accepts the larger operating handle whose mounting hole centers are 6.500-in. apart. This large cutout is only available on PROLINE-DD Disconnect Packages and Type 1 Free-Stand Enclosures.

Operator adapter for preferred cutouts must be ordered separately to be used with A21S, A28S4, A4S and WS2D enclosures. Preferred cutouts are designed to house the following:

Allen-Bradley

- Bulletin 1494U universal disconnect switches with flange-mount handles for either variable-depth or cable-operated mechanisms

- Bulletin 1494V disconnect switches with flange-mount variable-depth operating mechanisms and Bulletin 1494V flange-mount variable-depth operating mechanisms for circuit breakers
- Bulletin 140U flexible cable operating mechanisms for 140U molded case circuit breakers
- Bulletin 140G flexible cable and variable-depth, flange-mount, molded case circuit breakers
- Bulletin 1494C cable-operated disconnect switches with flange-mount handles
- Bulletin 194RC cable-operated flange-mount handles for use with the NFPA 79 compliant 194R IEC rotary disconnect switches *Allen-Bradley Bulletin 1494V-R1, -R2 and -W2 operating handles and Allen-Bradley Bulletin 1494F disconnect devices or Bulletin 1494D circuit breaker operators will NOT fit these enclosures.*

ABB Controls flange-mount variable-depth operating mechanisms for disconnect switches and circuit breakers. Also the cable version for circuit breakers.

Eaton Cutler-Hammer Type C361 flange-mount variable-depth operating mechanisms with disconnect switches and Type C371 flange-mount variable-depth operating mechanisms for circuit breakers.

General Electric Type STDA flange handles and variable-depth operating mechanisms for disconnect switches and circuit breakers. Also SPECTRAFLEX cable operators for circuit breakers.

Siemens ITE MAX FLEX® flange-mount variable-depth operating handles for circuit breakers.

Schneider Square D® Class 9422 disconnect switches with flange-mount variable-depth operating mechanisms or cable mechanisms and Class 9422 flange-mount variable-depth operating mechanisms or cable mechanisms for circuit breakers. *These enclosures will NOT accept Square D Class 9422 bracket-mounted disconnect devices, Class 9422TG1 or TG2 devices.*

ORDERING

Order the disconnect switch, operating handle and operating mechanism separately. See Technical Information in the nVent HOFFMAN Specifier's Guide for wire bend space available when various manufacturers' disconnect switches are installed. Check the enclosure dimension drawings to verify the chosen disconnect switch will fit in the enclosure.



INDUSTRY STANDARDS

UL Component Recognized

CSA Certified

APPLICATION

Provides positive internal safety lockout on electrical enclosures while the equipment is energized. Catalog numbers AEK115, AEK230 and AEK460 are used with standard Hoffman door latching mechanisms. When energized, these interlocks prevent the door handle from being turned to open the door. The interlock fits either clockwise or counterclockwise handles in the following enclosures:

1. All two-door Type 4 and 12 enclosures
2. All Type 4X with 3-point latch enclosures
3. Free-stand Type 12 enclosures
4. All single-door Type 12 enclosures with latch kits installed

The above interlocks will fit the following enclosures, but modifications are required. Consult the factory for more information.

1. Two-Door Enclosures for Flange-Mounted Disconnects, Type 12
2. Heavy Duty Free-Stand Enclosures for Flange-Mounted Disconnects, Type 12
3. Modular Enclosures for Flange-Mounted Disconnects, Type 12
4. Multi-Door Enclosures, Type 12

The interlocks will also fit most Hoffman custom enclosures with door latching mechanisms similar to the mechanisms used on the preceding enclosures.

Non-NDH style electrical interlocks will not fit Concept Enclosures or Bulletin A25 and A26 Enclosures. Interlocks are not designed to be used in place of the standard door or cover latch.

Catalog numbers AEK115NDH, AEK230NDH and AEK460NDH are designed to be used on some Hoffman enclosures and boxes which have exterior latching only. When energized, these interlocks will prevent the enclosure door from being opened. They fit on the door or cover of the following enclosures:

1. One-door Type 4 and 4X enclosures
2. Two-door Type 4 and 4X enclosures
3. One-door Type 12 enclosures
4. Larger sizes of junction boxes
5. Type 1 and large Type 1 enclosures

The above interlocks also fit in most Hoffman custom enclosures and boxes which have doors or covers hinged similar to doors or covers on the preceding enclosures.

Installation

Interlock mounts on bracket attached to door bar on inside of enclosure door.

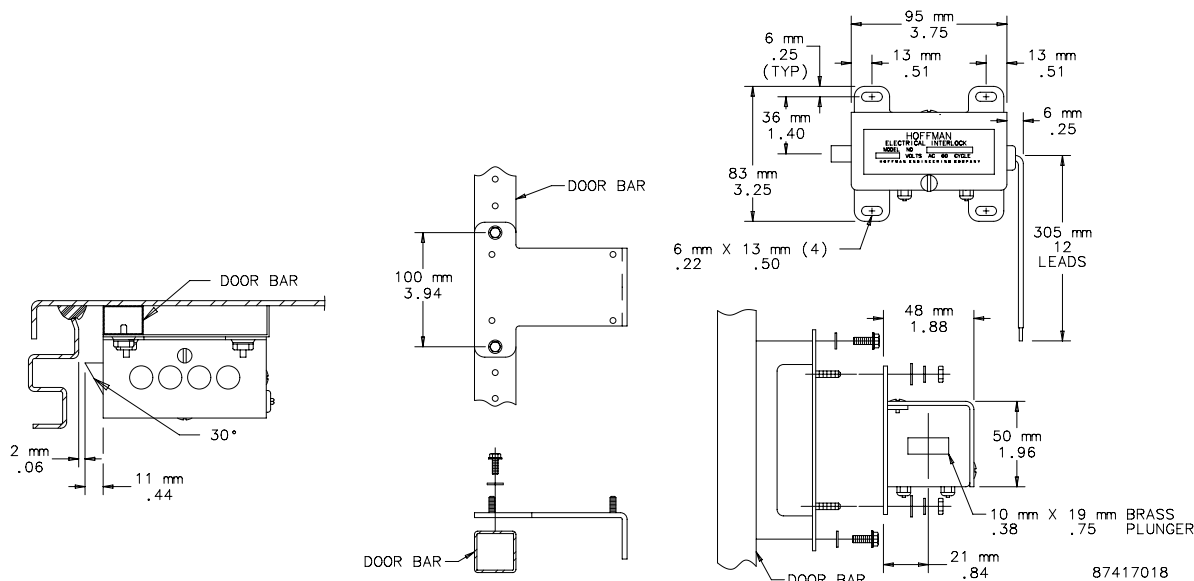
SPECIFICATIONS

- Rugged steel construction and plated finish. Solenoids are rated for continuous duty and will stand up under heavy industrial use.
- Packaged complete with a solenoid assembly, mounting bracket and instructions for field installation.

Door handles and latching mechanisms are not included.

BULLETIN: P20DC

| Catalog Number | A @ 120 V/60 Hz Normal/Inrush | A @ 240 V/60 Hz Normal/Inrush | A @ 480 V/60 Hz Normal/Inrush | A @ 110 V/50 Hz Normal/Inrush | A @ 220 V/50 Hz Normal/Inrush | A @ 440 V/50 Hz Normal/Inrush |
|----------------|----------------------------------|----------------------------------|----------------------------------|----------------------------------|----------------------------------|----------------------------------|
| PEK115NDH | .100/.63 | | | .120/.69 | | |
| PEK230NDH | | .050/.32 | | | .060/.35 | |
| PEK460NDH | | | .025/.16 | | | .030/.18 |



MECHANICAL INTERLOCK



Mechanical Interlock

The ProLine and ProLine G2 Mechanical Interlock can be actuated by any ProLine or ProLine G2 solid or disconnect door in a multiple-bay enclosure system. Up to ten doors, including window doors, can be interlocked. The interlock device engages the door at the center to provide maximum security. The master door can be positioned in any location. Only after the master door is opened can slave doors be opened. The interlock system is modular and easy to assemble; no drilling or layout work is required to install. Brackets, rods and fasteners are heavy gauge steel. Meets interlocking requirements established by General Motors, Ford and Chrysler.

Front-to-Back Interlock

The Front-to-Back Interlock is used to interlock the rear doors of an enclosure in conjunction with a Master Door Actuator Kit and a Slave Door Kit. When the Master Door Actuator Kit on the front of the enclosure is activated (by a solid or disconnect master door) and the Front-to-Back Kit linkage is in place, the pivot bracket is pulled, which activates the Slave Door Kit to interlock the back doors of the enclosure with the front doors.

BULLETIN: P20

| Catalog Number | Description |
|----------------|---------------------------|
| PMLMAK | Master Door Activator Kit |
| PMLSK | Door Slave Kit |
| PMLEK | Extension Kit |
| PMLFB | Front-to-Back Kit |