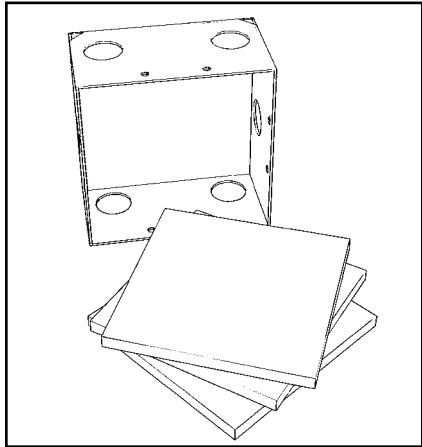




POWERSHIELD ELECTRICAL BOX INSERT

APPLICATIONS

SpecSeal® Power Shield electrical box inserts are used to protect an electrical box and maintain fire-resistance ratings of wall assemblies, when the horizontal separation between metallic boxes on opposite sides of the wall is less than 24" (610 mm).



PRODUCT DESCRIPTION

SpecSeal® Power Shield electrical box insert is a one-component pad for use in electrical switch or receptacle boxes. The intumescent insert has been designed to install inside the box, directly against the back wall. SpecSeal® Power Shield electrical box inserts expands a minimum 24 times its original size when exposed to high temperatures or flames.

Requiring no tools, SpecSeal® Power Shield electrical box inserts are conveniently sized to fit typical switch or outlet boxes and features an adhesive strip applied to the back of the pad to ensure adhesion to the back of an electrical box. SpecSeal® Power Shield electrical box inserts are easily applied into an existing box with no mess or residue.

FEATURE	BENEFIT
• Easy to Install	In the field or in the shop.
• No Mess, No Residue	No clean-up required.
• Rapid Expansion	Quickly seals off the passage of fire and smoke.
• High Volume Char	Minimum to 24X!
• Water Resistant	No soluble or hygroscopic ingredients.
• Conveniently Sized	Fits common switch and receptacle boxes.
• Non-Conductive	Safe for use inside box.
• Easy Retrofit	Can be used for boxes installed in existing walls.
• Low Profile	Maximizes area inside box.
• Labor Savings	Installs before or after wallboard installation.

PERFORMANCE

SpecSeal® Power Shield electrical box inserts are the basis for systems that meet the exacting criteria of UL263 (ASTM E119, NFPA 251) and are Classified for up to 2 hrs as a Wall Opening Protective Material (Category CLIV) for use with metallic outlet or switch boxes installed in gypsum wallboard wall assemblies. Boxes protected with SpecSeal® Power Shield electrical box inserts have been successfully tested on steel studs with the box spacing reduced to less than 24 in. (610 mm). The pads are not tested nor approved for boxes installed directly back-to-back.

	UNDERWRITER'S LABORATORIES INC.® CLASSIFIED WALL PROTECTION MATERIAL.	SEE PRODUCT CATEGORY IN UL FIRE RESISTANCE DIRECTORY. 12Y3.	
--	-----------------------------------------------------------------------------	----------------------------------------------------------------------	--

PHYSICAL PROPERTIES

Properties	Electrical Box Inserts
Catalog No. & Dimensions:	EP44-(3-3/4" x 3-3/4" x 1/8") (95 x 95 x 3 mm) EP45-(4-1/2" x 4-1/2" x 1/8") (114 x 114 x 3 mm)
Color:	RED
Weight:	EP44 - 0.08 lb. (0.036 kg) EP45 - 0.10 lb. (0.045 kg)
Volume:	EP44-(1.75 cu in., 28.8 cu cm.) EP45-(2.50 cu in., 41.0 cu cm.)
Expansion Begins:	350°F (177°C)

Properties	Electrical Box Inserts
Expansion Range:	350°F to >1,000°F (177°C - 537°C)
Volume Expansion:	16 to 24X (free expansion)
In Service Temperature:	<130°F (54°C)
Oven Aging:	No Change (60°C)*
Humidity Exposure:	No Change (60°C, 98% R.H.)*
Shelf Life:	No Limit
STC Rating:	64
*Evaluation of physical properties and total expansion.	



SPECIFICATIONS

The firestopping insert pad shall be a one-part intumescent material requiring no tools or curing time. The pad, when exposed to high temperatures or flames, shall provide a minimum of 24X free expansion and shall contain no water-soluble expansion ingredients. The insert pad shall be UL Classified and tested to the requirements of UL263.

SPECIFIED DIVISIONS

DIV.	7	07 84 00	Firestopping
DIV.	26	26 00 00	Electrical
DIV.	27	27 00 00	Communications

INSTALLATION INSTRUCTIONS

GENERAL: Areas to be protected must be clean and free of oil, loose dirt, rust or scale. Installation, storage and in-service temperatures must be below 130° F (54° C). No drying or curing is required.

SYSTEM SELECTION: Please consult the STI Product and Application Guide as well as the UL Fire Resistance Directory Volume 1 for more information regarding installation of SpecSeal® Power Shield electrical box insert.

INSTALLATION INSTRUCTIONS: Remove protective liner from adhesive tape on back of pad. Align edge of pad to top of box and center pad. Press pad firmly against back inside wall of electrical box. Hold insert in place for 30 seconds. **Note:** Once in place, insert is not repositionable without damaging the adhesive. After installation of the insert, install switch or outlet. Installation of SpecSeal® Power Shield electrical box insert must comply with the National Electrical Code (NFPA No. 70). To allow access to the ground screw, the pad may be slit from one edge. Do not remove material from the pad. The use of SpecSeal® Power Shield electrical box insert reduces available volume within box. Refer to PHYSICAL PROPERTIES for volumetric dimensions of inserts.

MAINTENANCE

Inspection: Installations should be inspected periodically for subsequent damage. Any damaged inserts should be replaced using SpecSeal® products per the original approved design.

TECHNICAL SERVICE

Specified Technologies Inc. Provides toll free technical support to assist in product selection and appropriate installation design. UL Systems, Material Safety Data Sheets and other technical information is available at the Technical Library at www.stifirestop.com.

PRECAUTIONARY INFORMATION

Consult Material Safety Data Sheet for additional information on the safe handling and disposal of this material. Wash areas of skin contact with soap and water. Avoid contact with eyes.

AVAILABILITY

SpecSeal® PowerShield electrical box inserts are available from authorized distributors worldwide. Consult factory for names and locations of the nearest sales representatives or distributors.

Part #	Description	Packaging	Size
EP44	Electrical box insert	Ea. 20 per box	3-3/4" x 3-3/4" x 1/8" pad (95 x 95 x 3 mm)
EP45	Electrical box insert	Ea. 20 per box	4-1/2" x 4-1/2" x 1/8" pad (114 x 114 x 3 mm)

IMPORTANT NOTICE: All statements, technical information, and recommendations contained herein are based upon testing believed to be reliable, but the accuracy and completeness thereof is not guaranteed.

WARRANTY

Specified Technologies Inc. manufactures its goods in a manner to be free of defects. Should any defect occur in its goods (within one year), Specified Technologies Inc., upon prompt notification, will at its option, exchange or repair the goods or refund the purchase price.

LIMITATIONS AND EXCLUSIONS:

THIS WARRANTY IS IN LIEU OF ALL OTHER REPRESENTATIONS EXPRESSED OR IMPLIED (INCLUDING THE IMPLIED WARRANTIES OF MERCHANTABILITY OR FITNESS FOR USE) AND UNDER NO CIRCUMSTANCES SHALL SPECIFIED TECHNOLOGIES INC. BE RESPONSIBLE FOR ANY INCIDENTAL OR CONSEQUENTIAL PROPERTY DAMAGE OR LOSSES. PRIOR TO USE, THE USER SHALL DETERMINE THE SUITABILITY OF THE PRODUCT FOR ITS INTENDED USE, AND THE USER ASSUMES ALL RISKS AND LIABILITY FOR SUBSEQUENT USE.

No statement or recommendation not contained herein shall have any force or effect unless in an agreement signed by officers of seller and manufacturer.



Specified Technologies, Inc.

Specified Technologies Inc. • 200 Evans Way, Somerville NJ 08876 • Phone: 800.992.1180 • Fax: 908.526.9623

