

OUTDOOR SENSORS

TUFF DOME™



Vandal Resistant Tuff Dome Sensor can be used remotely or with floodlights.

Vandalproof Sensor:

- Resists damage from balls & bonks
- Vandalproof Allen drive screws & tool provided
- Vandalproof close-up plugs



Surge Protected

Controls up to 500 watts or 180 watts with

Can be wired in parallel

Three 1/2" threaded holes for lighting fixtures

Die cast aluminum

Vandal resistant color matched lens removes to access controls and vertical adjustment

Fits round and rectangular boxes covering oversized openings

180° Detection Pattern

Small, unobtrusive design blends with building facades

Quick installation with 5 second Test Time and Auto Test Logic

LED "On Guard" indicator

Protected Manual Override with Auto Reset after 8 hours

White or Bronze finish

5 Year Warranty

Here's How



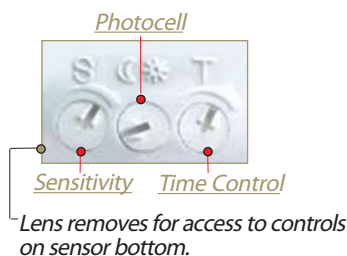
Off-
During Daylight



Glow-
Good NightLight glows at 20% wattage from Dusk-to-Dawn



Bright-
100% Bright security light when motion occurs



Lens removes for access to controls on sensor bottom.



Sensor tilts up & down

Specifications

UL Listing:
Suitable for wet locations

Switching Capacity:
Relay On/Off Model:
500 watts Incandescent or
250 watts Fluorescent @ 120 volts

Good NightLight Model:
180 watt Incandescent @ 120V.
Runs at 20% lamp wattage
from dusk to dawn. Brightens to
full wattage upon detection.

Voltage:
120 volts AC, 60Hz

Time Adjustment:
5 seconds to 15 minutes

Detection Zone:
Full 180 degrees by 25'

Quick Test Time:
5 second test time for fast
installation. Works day or night.

"No Hands" Auto Testing:
Auto mode starts after 4 minutes of
testing. No adjustment needed.

Vandal Resistant Lens:
Hard lens resists vandalism

Photoelectric Control:
Deactivates lights during daylight.
Fully adjustable for 24 hour
operation or custom applications.

Case Construction:
Die cast aluminum with polyethylene lens.

Manual Override:
Double flip wall switch logic prevents
activation by brief power outages. Resets
after 8 hours. No extra wiring needed.

Surge Protection:
Withstands up to 3000 volts

LED Detection Indicator:
LED glows red day & night for
"on-guard" deterrence.

RF Immunity:
Circuits fully shielded for maximum radio
frequency immunity.

Patents:
RAB sensor and fixture designs are
protected under U.S. and international
intellectual property laws.

Info Online 24/7

www.rabweb.com
Wiring Diagrams
Installation Instructions
Product Specifications



TUFF Dome

Controls up to 500 watts Incandescent or 240 watts Fluorescent of outdoor lighting from an unobtrusive sensor. Color matched Vandalproof Lens. Full 180° coverage.

Finish: Bronze
 White



Good Night Light TUFF Dome

Good Night Light Hi/Lo Sensor. Runs lamps at 20% wattage dusk to dawn. Brightens to full power when sensor activates. 180 watt Incandescent maximum. Color matched Vandalproof Lens. Full 180° coverage.

Finish: Bronze
 White

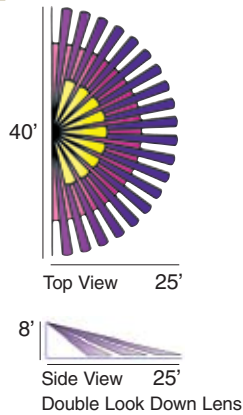
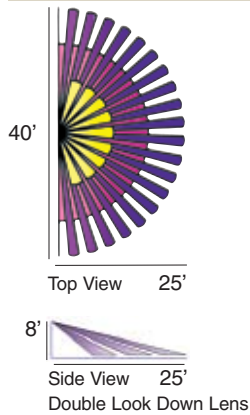


Tuff Dome won the NAED "Best of the Best" award.



Tuff Dome shown with QB1 Quartz Floods See page 106.

Detection Pattern

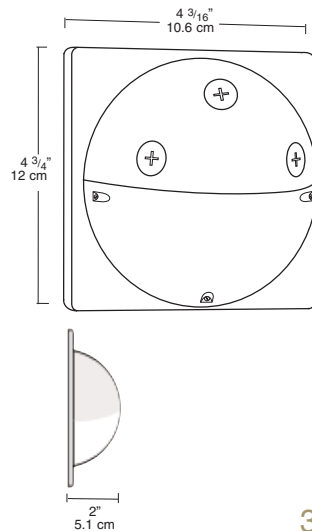
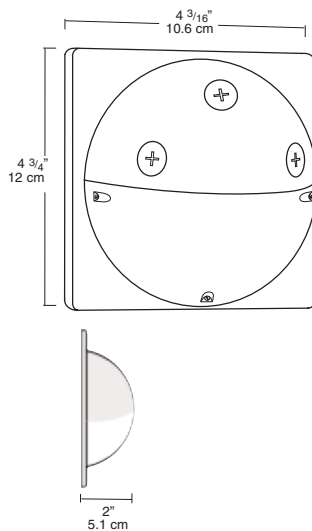


Catalog Numbers

Bronze **White**
 STUFF500 STUFF500W

Bronze **White**
 STUFF180HL STUFF180HLW

Dimensions



Small and durable Tuff Dome controls four lanterns on this home.