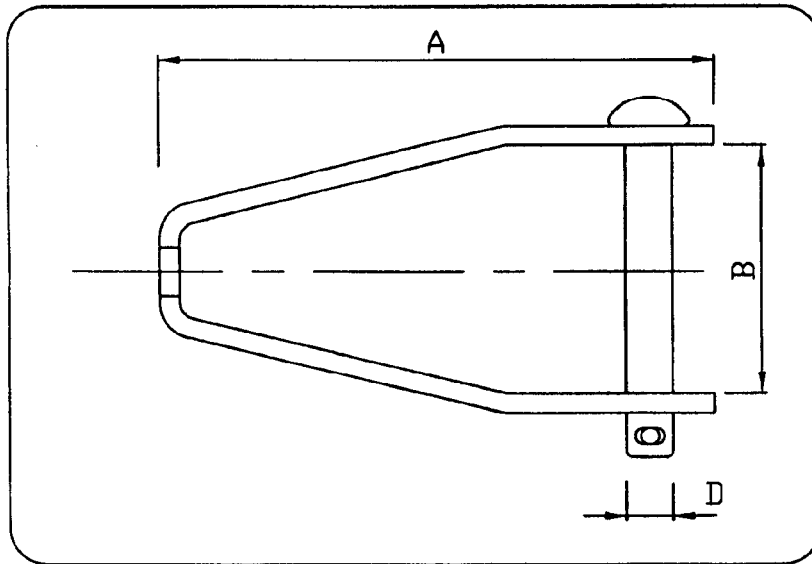


INSULATED CROSSARM CLEVIS
HOT DIP GALVANISED



STOCK NO.	'A' (INCH)	'B' (INCH)	'D' DIA (INCH)	HOLE DIA (INCH)	APPROX SHIP WT. (LBS 100)
0313	4-3/16	2-3/8	1/2	9/16	106

DIMENSIONS ARE NOT SHOWN IN THE FIGURES

0313, CLEVIS IS USED ON THE END SINGLE SPOOL BRACKET BOLTS.