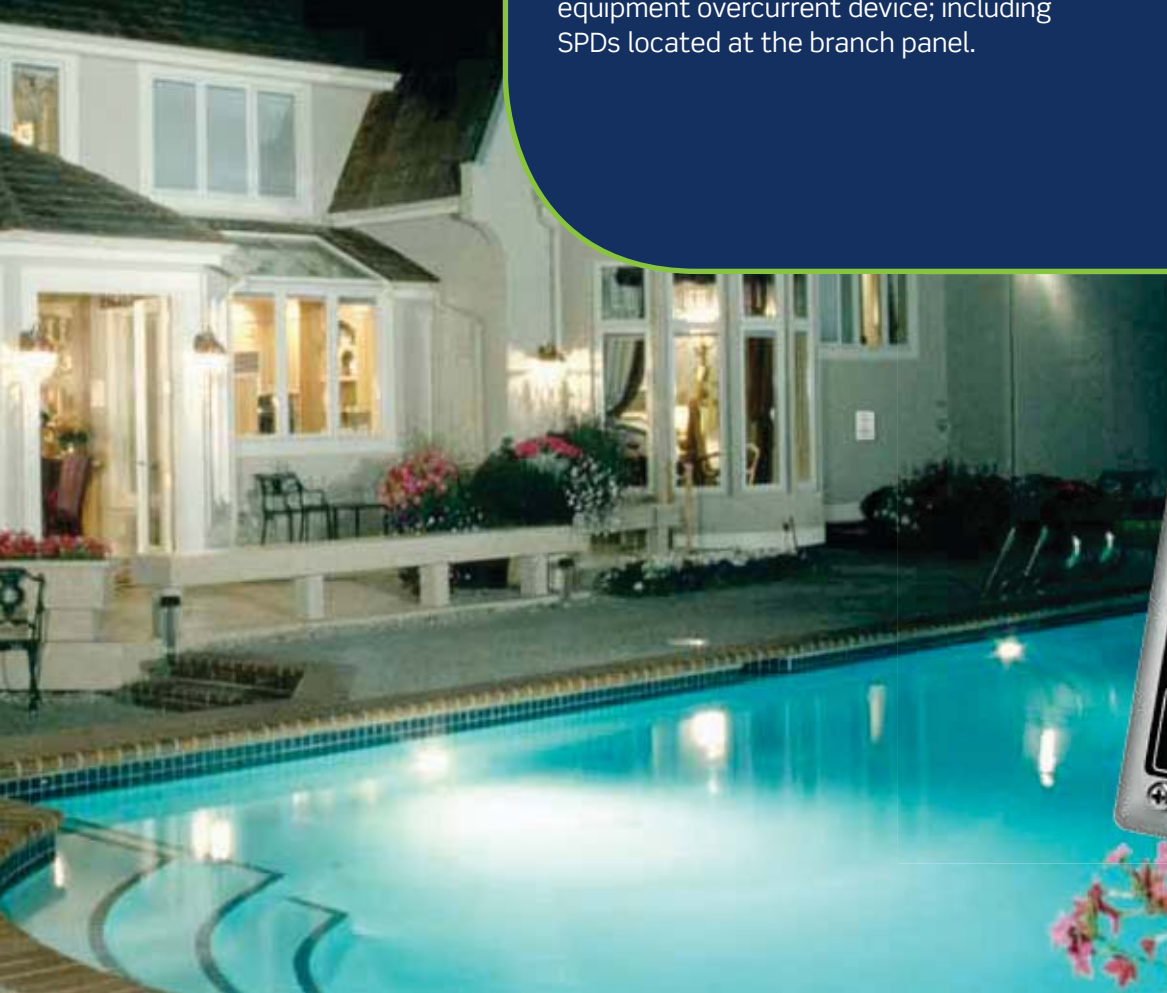




Type 2 Surge Protective Devices

Permanently connected SPDs intended for installation on the load side of the service equipment overcurrent device; including SPDs located at the branch panel.



Quick Reference – Type 2 Surge Protective Devices

Catalog Number	Max Surge Current, Per Mode (Per Phase)	Nominal Discharge Current (In)	Replaceable Modules	Enclosure	Surge Counter	Noise Filtering
120V and 120/240V, Single-Phase						
52120-M1	100kA (100kA)	10kA/20kA ¹	Yes	Type 12	No	Yes
52120-M2	100kA (100kA)	10kA/20kA ¹	Yes	Type 12	No	Yes
52120-CM2	100kA (100kA)	10kA/20kA ¹	Yes	Type 12	Yes	Yes
52120-M2H	100kA (100kA)	10kA/20kA ¹	Yes	Type 12	No	Yes
32120-1	80kA (80kA)	3kA	No	Type 3R	No	Yes
42120-1	80kA (80kA)	3kA	No	Type 3R	No	Yes
51110-1	48kA (96kA)	3kA	No	Type 4X	No	No
51110-PTC	48kA (96kA)	3kA	No	Type 1	No	No
120/208V, Three-Phase WYE						
75120-7M3	320kA (640kA)	10kA	Yes	Type 12	Yes	Yes
74120-7M3	200kA (400kA)	10kA	Yes	Type 12	Yes	Yes
47120-7	200kA (400kA)	10kA	No	Type 1	No	Yes
47120-4X7	200kA (400kA)	10kA	No	Type 4X	No	Yes
57120-M3	150kA (150kA)	10kA/20kA ¹	Yes	Type 12	No	Yes
57120-CM3	150kA (150kA)	10kA/20kA ¹	Yes	Type 12	Yes	Yes
52120-M3	100kA (100kA)	10kA/20kA ¹	Yes	Type 12	No	Yes
52120-CM3	100kA (100kA)	10kA/20kA ¹	Yes	Type 12	Yes	Yes
52120-7M3	100kA (200kA)	10kA/20kA ¹	Yes	Type 12	No	Yes
52120-7C3	100kA (200kA)	10kA/20kA ¹	Yes	Type 12	Yes	Yes
37120-7	100kA (200kA)	5kA	No	Type 1	No	Yes
120/208V, Three-Phase WYE or 208V, Three-Phase Delta or 220V, Three-Phase Delta						
32120-DY3	80kA (80kA)	3kA	No	Type 3R	No	Yes
42120-DY3	80kA (80kA)	3kA	No	Type 3R	No	Yes
120/240/120V, Three-Phase Hi-leg Split Phase Delta						
52412-DS3	100kA (100kA)	10kA/20kA ¹	Yes	Type 12	No	Yes
32412-DS3	80kA (80kA)	3kA	No	Type 3R	No	Yes
42412-DS3	80kA (80kA)	3kA	No	Type 3R	No	Yes
220/380V, Three-Phase WYE or 277/480V, Three-Phase WYE or 240V, Three-Phase Delta or 480V, Three-Phase Delta						
32277-DY3	80kA (80kA)	3kA	No	Type 3R	No	Yes
42277-DY3	80kA (80kA)	3kA	No	Type 3R	No	Yes
240V, Three-Phase Delta						
57240-DM3	150kA (150kA)	10kA/20kA ¹	Yes	Type 12	No	Yes
52240-DM3	100kA (100kA)	10kA/20kA ¹	Yes	Type 12	No	Yes
277/480V, Three-Phase WYE						
75277-7M3	320kA (640kA)	10kA	Yes	Type 12	Yes	Yes
74277-7M3	200kA (400kA)	10kA	Yes	Type 12	Yes	Yes
47277-7	200kA (400kA)	10kA	No	Type 1	No	Yes
47277-4X7	200kA (400kA)	10kA	No	Type 4X	No	Yes
57277-M3	150kA (150kA)	10kA/20kA ¹	Yes	Type 12	No	Yes
57277-CM3	150kA (150kA)	10kA/20kA ¹	Yes	Type 12	Yes	Yes
52277-M3	100kA (100kA)	10kA/20kA ¹	Yes	Type 12	No	Yes
52277-CM3	100kA (100kA)	10kA/20kA ¹	Yes	Type 12	Yes	Yes
52277-7M3	100kA (200kA)	10kA/20kA ¹	Yes	Type 12	No	Yes
52277-7C3	100kA (200kA)	10kA/20kA ¹	Yes	Type 12	Yes	Yes
37277-7	100kA (200kA)	5kA	No	Type 1	No	Yes
480V, Three-Phase Delta						
57480-DM3	150kA (150kA)	10kA/20kA ¹	Yes	Type 12	No	Yes
52480-DM3	100kA (100kA)	10kA/20kA ¹	Yes	Type 12	No	Yes
347/600V, Three-Phase WYE or 600V, Three-Phase Delta						
32347-DY3	80kA (80kA)	---	No	Type 3R	No	Yes
42347-DY3	80kA (80kA)	---	No	Type 3R	No	Yes
347/600V, Three-Phase WYE						
57347-M3	150kA (150kA)	---	Yes	Type 12	No	Yes
600V, Three-Phase Delta						
57600-DM3	150kA (150kA)	---	Yes	Type 12	No	Yes

N/A: not applicable as these units do not have line-to-ground (L-G) surge protection

¹I_N = 10 kA when protected by a circuit breaker rated 30 A, min. (b) Volts, minimum 10 kA AIC. I_N = 20 kA when protected by a Square D Circuit Breaker Cat. No. QOB330A rated 30 A, min. 120/240 Volts, minimum 10 kA AIC or any Circuit Breaker rated 30A, (b) volts, minimum AIC 14kA. (b) Nominal System Voltage, where (b) = nominal system voltage.

Type 2 Modular Surge Protective Devices

Leviton's 74000 and 75000 Series panel mounted surge protective devices provide seven-mode protection in WYE-configured, 3-phase AC systems. Designed for most industrial and commercial environments with critical operations, these panels offer complete protection at the building entrance and distribution panel.



74120-7M3



74000 / 75000 Series for 3-Phase Applications

- Protection for up to 200,000 amps (74000 Series) or up to 320,000 amps (75000 Series) of surge current per mode
- Seven-Mode protection provides improved performance and longevity
- Real-time diagnostics monitor power and suppression status for each phase and provide both LED indicators and audible alarm
- User-replaceable plug-in modules eliminate the need to replace the entire surge panel following a damaging surge event
- Surge event history—including surge magnitude, time, and date for each surge event—can be viewed on an easy-to-read display or downloaded for storage
- Equipped with dry contacts for remote monitoring
- NEMA Type 12 enclosure resists dirt, dust and light splashing water
- Limited lifetime product warranty with free replacement modules*

*Certain restrictions apply

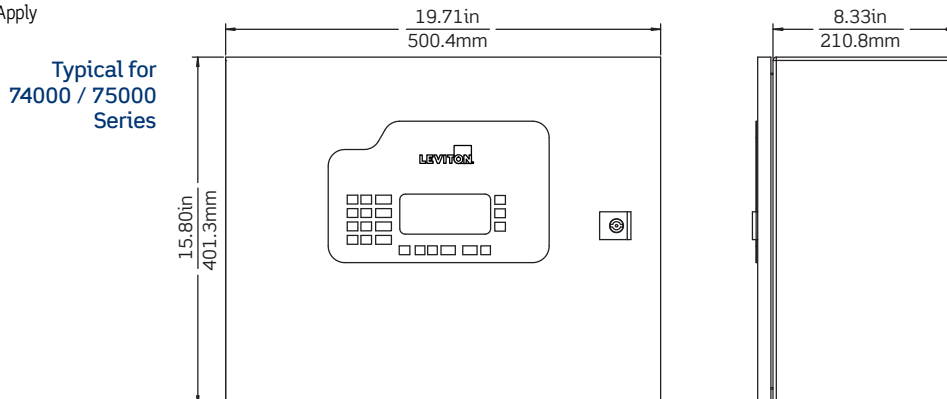
Ordering Information

Catalog Number	Description	Voltage (V AC) Configuration	Max Surge Current, Per Mode (Per Phase)	Replacement Modules
74120-7M3	7-Mode Surge Protection Panel	120/208 3Ø WYE, 4-wire + gnd	200kA (400kA)	HC120-M40 (7)
74277-7M3	7-Mode Surge Protection Panel	277/480 3Ø WYE, 4-wire + gnd	200kA (400kA)	HC277-M40 (7)
75120-7M3	7-Mode Surge Protection Panel	120/208 3Ø WYE, 4-wire + gnd	320kA (640kA)	HC120-M53 (7)
75277-7M3	7-Mode Surge Protection Panel	277/480 3Ø WYE, 4-wire + gnd	320kA (640kA)	HC277-M53 (7)

Specifications and Dimensions for: 74000 / 75000 Series

Catalog Number	74120-7M3	74277-7M3	75120-7M3	75277-7M3	
Electrical Specifications					
Voltage	120/208 VAC 3-phase WYE	277/480 VAC 3-phase WYE	120/208 VAC 3-phase WYE	277/480 VAC 3-phase WYE	
Frequency	50/60 Hz	50/60 Hz	50/60 Hz	50/60 Hz	
Surge Technology	40mm MOV	40mm MOV	53mm MOV	53mm MOV	
Recommended Circuit Breaker Rating	30A, 120V	30A, 277V	30A, 120V	30A, 277V	
Performance Data					
Nominal Discharge Rating (I _N)	10kA				
Maximum Continuous Operating Voltage (MCOV)	L-L	300	640	300	640
	L-N	150	320	150	320
	L-G	150	320	150	320
	N-G	150	320	150	320
Voltage Protection Rating (VPR)	L-L	1200	2000	1500	2000
	L-N	700	1200	800	1200
	L-G	800	1200	800	1200
	N-G	500	1000	600	1000
Maximum Surge Current, Per Mode (Per Phase)	200kA (400kA)		320kA (640kA)		
Protection Mode	7 Mode				
Short Circuit Current Rating (SCCR)	10kA				
EMI/RFI Noise Rejection	-40dB (@ 5K-100MHz)				
Diagnostics	Real Time Protection status LEDs & Audible Alarm, Surge Counter, Downloadable event history log; shows magnitude, duration of spike				
Remote Monitoring	Dry Contact Leads-N.O./N.C. Form C Rated at 7Amps @ 240VAC or 30VDC				
Mechanical Specifications					
Connection Type	Parallel-Hardwire Using Terminal Block: Accepts up to #6 AWG				
Environmental Specifications					
Operating Temperature	-10°C to 60°C				
Storage Temperature	-20°C to 85°C				
Flammability	Rated V-2 per UL 94				
Relative Humidity	5% to 95% non-condensing				
Standards & Certifications					
Enclosure Type	NEMA 12 Steel Enclosure				
Agency Certification	cULus 1449 3rd Edition Listed Type 2				
ANSI/IEEE Category A, B & C	C-62.41 & C-62.45				
Warranty					
Product Warranty	Limited Lifetime				
Replacement Module Warranty	Limited Lifetime*				

*Certain Restrictions Apply



Type 2 Modular Surge Protective Devices

Leviton's 52000 and 57000 Series panel mounted surge protective devices provide a good mix of value, performance, and features for main service or branch panel applications in industrial, commercial and residential environments. The parallel-operated design ensures continuous power even if surge protection is disabled. They feature indicator lights, a status relay and audible alarm for monitoring power and surge suppression, and replaceable surge modules for simplified maintenance after a destructive surge event.



52120-M2



57277-CM3

52000 and 57000 Series Service/Branch Panel Protection

- Protection for up to 100,000 amps (52000 Series) or 150,000 amps (57000 Series) of surge current per mode
- Redundant surge modules for mission critical applications
- Easily replaceable surge modules
- AC Sine Wave tracking provides enhanced EMI/RFI filtering
- NEMA Type 12 enclosure resists dirt, dust and light splashing water
- Models available with Surge Counter
- Limited lifetime product warranty with free replacement modules*

*Certain restrictions apply

Ordering Information

Catalog Number	Description	Voltage (V AC) Configuration	Max Surge Current, Per Mode (Per Phase)	Replacement Modules
52120-M1	2-Mode Surge Protection Panel	120 Single-phase, 2-wire + gnd	100kA (100kA)	(1) 2120, (1) 8120-GN
52120-M2	3-Mode Surge Protection Panel	120/240 Single-phase, 3-wire + gnd	100kA (100kA)	(2) 2120, (1) 8120-GN
52120-CM2	3-Mode Surge Protection Panel, with Surge Event Counter	120/240 Single-phase, 3-wire + gnd	100kA (100kA)	(2) 2120, (1) 8120-GN
52120-M2H	3-Mode Surge Protection Panel, DHC & X10 compatible	120/240 Single-phase, 3-wire + gnd	100kA (100kA)	(2) 2120-M2H, (1) 8120-GN
52120-M3	4-Mode Surge Protection Panel	120/208 3Ø WYE, 4-wire + gnd	100kA (100kA)	(3) 2120, (1) 8120-GN
52120-CM3	4-Mode Surge Protection Panel, with Surge Event Counter	120/208 3Ø WYE, 4-wire + gnd	100kA (200kA)	(3) 2120, (1) 8120-GN
52120-7M3	7-Mode Surge Protection Panel	120/208 3Ø WYE, 4-wire + gnd	100kA (200kA)	(3) 120-7M3, (1) 8120-GN
52120-7C3	7-Mode Surge Protection Panel, with Surge Event Counter	120/208 3Ø WYE, 4-wire + gnd	100kA (100kA)	(3) 120-7M3, (1) 8120-GN
52240-DM3	3-Mode Surge Protection Panel	240 3Ø Delta, 3-wire + gnd	100kA (100kA)	(3) 2240
52277-M3	4-Mode Surge Protection Panel	277/480 3Ø WYE, 4-wire + gnd	100kA (100kA)	(3) 2277, (1) 8320-GN
52277-CM3	4-Mode Surge Protection Panel, with Surge Event Counter	277/480 3Ø WYE, 4-wire + gnd	100kA (100kA)	(3) 2277, (1) 8320-GN
52277-7M3	7-Mode Surge Protection Panel	277/480 3Ø WYE, 4-wire + gnd	100kA (200kA)	(3) 277-7M3, (1) 8320-GN
52277-7C3	7-Mode Surge Protection Panel, with Surge Event Counter	277/480 3Ø WYE, 4-wire + gnd	100kA (200kA)	(3) 277-7M3, (1) 8320-GN
52480-DM3	3-Mode Surge Protection Panel	480 3Ø Delta, 3-wire + gnd	100kA (100kA)	(3) 2480
52412-DS3	4-Mode Surge Protection Panel	120/240/120 Split Phase Delta, 4-wire + gnd	100kA (100kA)	(2) 2120, (1) 2412, (1) 8120-GN
57120-M3	4-Mode Surge Protection Panel	120/208 3Ø WYE, 4-wire + gnd	150kA (150kA)	(3) 7120, (1) 8120-GN
57120-CM3	4-Mode Surge Protection Panel, with Surge Event Counter	120/208 3Ø WYE, 4-wire + gnd	150kA (150kA)	(3) 7120, (1) 8120-GN
57240-DM3	3-Mode Surge Protection Panel	240 3Ø Delta, 3-wire + gnd	150kA (150kA)	(3) 7240
57277-M3	4-Mode Surge Protection Panel	277/480 3Ø WYE, 4-wire + gnd	150kA (150kA)	(3) 7277, (1) 8320-GN
57277-CM3	4-Mode Surge Protection Panel, with Surge Event Counter	277/480 3Ø WYE, 4-wire + gnd	150kA (150kA)	(3) 7277, (1) 8320-GN
57480-DM3	3-Mode Surge Protection Panel	480 3Ø Delta, 3-wire + gnd	150kA (150kA)	(3) 7480
57347-M3	4-Mode Surge Protection Panel	347/600 3Ø WYE, 4-wire + gnd	150kA (150kA)	(3) 7347, (1) 8385-GN
57600-DM3	4-Mode Surge Protection Panel	600 3Ø Delta, 3-wire + gnd	150kA (150kA)	(3) 7600



Specifications for: 57000 Series

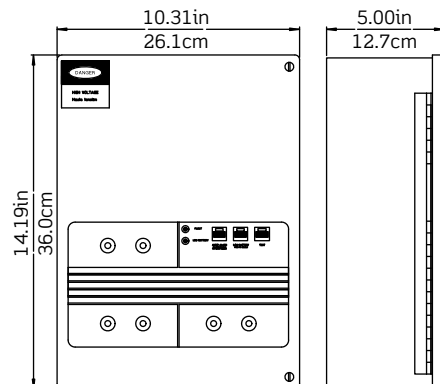
Catalog Number	57120-M3 57120-CM3	57240-DM3	57277-M3 57277-CM3	57480-DM3	57347-M3	57600-DM3
Electrical Specifications						
Voltage	120/208VAC 3-phase WYE	240VAC 3-phase Delta	277/480VAC 3-phase WYE	480VAC 3-phase Delta	347/600VAC 3-phase WYE	600VAC 3-phase Delta
Frequency	50/60 Hz	50/60 Hz	50/60 Hz	50/60 Hz	50/60 Hz	50/60 Hz
Surge Technology	40mm MOV Design	40mm MOV Design	40mm MOV Design	40mm MOV Design	40mm MOV Design	40mm MOV Design
Recommended Circuit Breaker Rating	30A, 120V	30A, 240V	30A, 277V	30A, 480V	30A, 600V	30A, 600V
Performance Data						
Nominal Discharge Rating (I_n)	10/20 kA ¹	10/20 kA ¹	10/20 kA ¹	10/20 kA ¹	N/A	N/A
Maximum Continuous Operating Voltage (MCOV)	L-N	150V	—	320V	—	390V
	L-G	300V	—	640V	—	—
	N-G	150V	—	320V	—	—
	L-L	300V	320V	640V	640V	680V
Voltage Protection Rating (VPR)	L-N	1000V	—	1500V	—	1500V ²
	L-G	1500V	—	2500V	—	—
	N-G	800V	—	1200V	—	1000V ²
	L-L	1500V	1500V	2500V	2000V	2000V ²
Maximum Surge Current, Per Mode (Per Phase)	150kA (150kA)	150kA (150kA)	150kA (150kA)	150kA (150kA)	150kA (150kA)	150kA (150kA)
Protection Mode	4 Mode	3 Mode	4 Mode	3 Mode	4 Mode	4 Mode
Short Circuit Current Rating (SCCR)	100kA	100kA	100kA	100kA	100kA	100kA
EMI/RFI Noise Rejection	-20 to -40dB (@ 1.5K-1.2MHz)					
Mechanical Specifications						
Connection Type	Parallel-hardwired, feed-through dual wire terminal block: Accepts up to #3 AWG wire					
Diagnostics	Real Time Protection status LEDs & Audible Alarm					
Remote Monitoring	Dry Contacts-N.O./N.C. Form C Rated at 7Amps @ 240VAC or 30VDC					
Environmental Specifications						
Enclosure Type	NEMA 12 Steel Enclosure					
Operating Temperature	-20°C to 60°C					
Storage Temperature	-20°C to 85°C					
Flammability	Rated V-2 per UL 94					
Relative Humidity	5% to 95% non-condensing					
Standards & Certifications						
Agency Certification	UL 1449 3rd Edition Listed and CSA C22.2 Certified Type 2				CSA C22.2 Certified	
ANSI/IEEE Category A, B & C	C-62.41 & C-62.45				C-62.41 & C-62.45	
Warranty						
Product Warranty	Limited Lifetime					
Replacement Module Warranty	Limited Lifetime*					

¹ I_n = 10 kA when protected by a circuit breaker rated 30 A, min. (b) Volts, minimum 10 kA AIC. I_n = 20 kA when protected by a Square D Circuit Breaker Cat. No. QOB330A rated 30 A, min. 120/240 Volts, minimum 10 kA AIC or any Circuit Breaker rated 30A, (b) volts, minimum AIC 14kA. (b) Nominal System Voltage, where (b) = nominal system voltage.

²Surge Voltage Rating (SVR)

*Certain restrictions apply

Typical for
57000 & 52000
Series



Specifications for: 52000 Series

Catalog Number	52120-M1	52120-M2 52120-CM2	52120-M2H	52120-M3 52120-CM3	52120-7M3 52120-7C3	52240-DM3	52277-M3 52277-CM3	52277-7M3 52277-7C3	52480-DM3	52412-DS3	
Electrical Specifications											
Voltage	120VAC	120/ 240VAC	120/ 240VAC	120/ 208VAC 3-phase WYE	120/ 208VAC 3-phase WYE	240VAC 3-phase Delta	277/ 480VAC 3-phase WYE	277/ 480VAC 3-phase WYE	480VAC 3-phase Delta	120/240/ 120VAC 3-phase Hi-Leg Delta	
Frequency	50/60Hz	50/60Hz	50/60Hz	50/60Hz	50/60Hz	50/60Hz	50/60Hz	50/60Hz	50/60Hz	50/60Hz	
Surge Technology	40mm MOV	40mm MOV	40mm MOV	40mm MOV	40mm MOV	40mm MOV	40mm MOV	40mm MOV	40mm MOV	40mm MOV	
Recommended Circuit Breaker Rating	30A, 120V	30A, 120/240V	30A, 120/240V	30A, 120/208V	30A, 120/208V	30A, 240V	30A, 277/480V	30A, 277/480V	30A, 480V	30A, 120/240V	
Performance Data											
Maximum Continuous Operating Voltage (MCOV)	L-N	150V	150V	150V	150V	150V	—	320V	320V	—	L-N:150V H-N:320V
	L-G	300V	300V	300V	300V	150V	—	640V	320V	—	L-G:300V H-G:470V
	N-G	150V	150V	150V	150V	150V	—	320V	320V	—	150V
	L-L	—	300V	300V	300V	300V	320V	640V	640V	550V	L-L:300V H-L:470V
Voltage Protection Rating (VPR)	L-N	1000V	1000V	1000V	1000V	1000V	—	1500V	1500V	—	L-N:1000V H-N:1500V
	L-G	1500V	1500V	900V	1500V	1200V	—	2500V	1500V	—	L-G:1500V H-G:2000V
	N-G	700V	700V	700V	700V	700V	—	1200V	1200V	—	700V
	L-L	—	1500V	1500V	1500V	1500V	1500V	2500V	2500V	2000V	L-L:1500V H-L:2500V
Protection Mode	2 Mode	3 Mode	3 Mode	4 Mode	7 Mode	3 Mode	4 Mode	7 Mode	3 Mode	4 Mode	
Maximum Surge Current, Per Mode (Per Phase)	100kA (100kA)	100kA (100kA)	100kA (100kA)	100kA (100kA)	100kA (200kA)	100kA (100kA)	100kA (100kA)	100kA (200kA)	100kA (100kA)	100kA (100kA)	
Short Circuit Current Rating (SCCR)	100kA	100kA	100kA	100kA	100kA	100kA	100kA	100kA	100kA	100kA	
Nominal Discharge Rating (I_n)	10kA/20kA ¹	10kA/20kA ¹	10kA/20kA ¹	10kA/20kA ¹	10kA/20kA ¹	10kA/20kA ¹	10kA/20kA ¹	10kA/20kA ¹	10kA/20kA ¹	10kA/20kA ¹	
EMI/RFI Noise Rejection	-20dB to -40dB (50KHz-10MHz)										
Diagnostics	Real Time Protection status LEDs & Audible Alarm										
Remote Monitoring	Dry Contacts-N.O./N.C. Form C Rated at 7Amps @ 240VAC or 30VDC										
Mechanical Specifications											
Connection Type	Parallel-hardwired, feed-through dual wire terminal block: Accepts up to #3 AWG wire										
Environmental Specifications											
Enclosure Type	NEMA 12 Enclosure										
Operating Temperature	-20°C to 60°C										
Storage Temperature	-20°C to 85°C										
Flammability	Rated V-2 per UL 94										
Relative Humidity	5% to 95% non-condensing										
Standards & Certifications											
Agency Rating	UL 1449 3rd Edition Listed and CSA C22.2 Certified Type 2										
ANSI/IEEE Category A, B & C	C-62.41 & C-62.45										
Warranty											
Product Warranty	Limited Lifetime										
Replacement Module Warranty	Limited Lifetime*										

¹ I_n = 10 kA when protected by a circuit breaker rated 30 A, min. (b) Volts, minimum 10 kA AIC. I_n = 20 kA when protected by a Square D Circuit Breaker Cat. No. QOB330A rated 30 A, min. 120/240 Volts, minimum 10 kA AIC or any Circuit Breaker rated 30A, (b) volts, minimum AIC 14kA. (b) Nominal System Voltage, where (b) = nominal system voltage.

*Certain restrictions apply

Type 2 Non-Modular Surge Protective Devices

Leviton's 37000 and 47000 Series panel mounted surge protective devices provide seven-mode protection in WYE-configured, 3-phase AC systems. These devices are designed for installation at the service entrance, at branch panels, or as dedicated transient surge protection for critical equipment.



47277-7



37120-7

37000 and 47000 Series for Commercial and Industrial Applications

- Protection for up to 100,000 amps (37000 Series) or 200,000 amps (47000 Series) of surge current per mode
- Models available in NEMA Type 1 enclosures for indoor applications and Type 4X enclosures (47000 series only) for outdoor applications
- Seven-Mode Protection (each phase to neutral, each phase to ground and neutral to ground)
- Real-time diagnostics monitor power and suppression status for each phase and provide both LED indicators and audible alarm
- Equipped with dry contacts for remote monitoring
- Limited lifetime product warranty

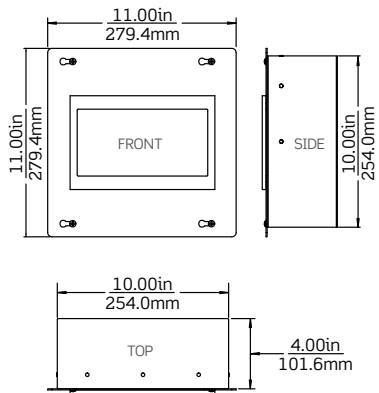
Ordering Information

Catalog Number	Description	Voltage (V AC) Configuration	Max Surge Current, Per Mode (Per Phase)
37120-7	7-Mode Surge Protection Panel	120/208 3Ø WYE, 4-wire + gnd	100kA (200kA)
37277-7	7-Mode Surge Protection Panel	277/480 3Ø WYE, 4-wire + gnd	100kA (200kA)
47120-7	7-Mode Surge Protection Panel	120/208 3Ø WYE, 4-wire + gnd	200kA (400kA)
47120-4X7	7-Mode Surge Protection Panel in Type 4X enclosure	120/208 3Ø WYE, 4-wire + gnd	200kA (400kA)
47277-7	7-Mode Surge Protection Panel	277/480 3Ø WYE, 4-wire + gnd	200kA (400kA)
47277-4X7	7-Mode Surge Protection Panel in Type 4X enclosure	277/480 3Ø WYE, 4-wire + gnd	200kA (400kA)

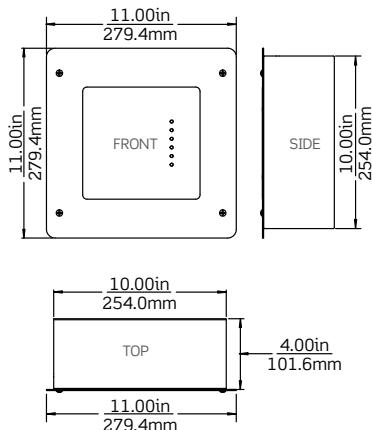
Specifications and Dimensions for: 37000 and 47000 Series

Catalog Number	37120-7	37277-7	47120-7	47120-4X7	47277-7	47277-4X7
Electrical Specifications						
Voltage	120/208 VAC 3-phase WYE	277/480 VAC 3-phase WYE	120/208 VAC 3-phase WYE	120/208 VAC 3-phase WYE	277/480 VAC 3-phase WYE	277/480 VAC 3-phase WYE
Frequency	50/60Hz	50/60Hz	50/60Hz	50/60Hz	50/60Hz	50/60Hz
Surge Technology	40mm MOV	40mm MOV	40mm MOV	40mm MOV	40mm MOV	40mm MOV
Recommended Circuit Breaker Rating	30A, 120/208V	30A, 277/480V	30A, 120/208V	30A, 120/208V	30A, 277/480V	30A, 277/480V
Performance Data						
Nominal Discharge Rating (I _N)	5kA	5kA	10kA	10kA	10kA	10kA
Maximum Continuous Operating Voltage (MCOV)	L-L	280	640	280	280	640
	L-N	140	320	140	140	320
	L-G	140	320	140	140	320
	N-G	130	300	130	130	300
Voltage Protection Rating (VPR)	L-L	1200	2000	1000	1000	1800
	L-N	800	1200	700	700	1200
	L-G	900	1500	900	900	1500
	N-G	700	1200	700	700	1200
Maximum Surge Current, Per Mode (Per Phase)	100kA (200kA)	100kA (200kA)	200kA (400kA)	200kA (400kA)	200kA (400kA)	200kA (400kA)
Short Circuit Current Rating (SCCR) Protection Modes	10kA	10kA	10kA	10kA	10kA	10kA
Protection Mode	7 Mode					
Noise Filtering	-40dB @ 10K – 10MHz					
Diagnostics	Real Time Protection status LEDs & Audible Alarm					
Mechanical Specifications						
Connection Type	Hardwire Using Terminal Block: Accepts up to #6 AWG wire					
Environmental Specifications						
Enclosure Rating	NEMA Type 1	NEMA Type 1	NEMA Type 1	NEMA Type 4x	NEMA Type 1	NEMA Type 4x
Operating Temperature	-10°C to 60°C	-10°C to 60°C	-10°C to 60°C	-10°C to 60°C	-10°C to 60°C	-10°C to 60°C
Storage Temperature	-20°C to 85°C	-20°C to 85°C	-20°C to 85°C	-20°C to 85°C	-20°C to 85°C	-20°C to 85°C
Flammability	Rated V-2 per UL 94					
Relative Humidity	5% to 95% non-condensing					
Material Specifications						
Enclosure	Powder Coated Steel	Powder Coated Steel	Powder Coated Steel	Fiberglass	Powder Coated Steel	Fiberglass
Standards & Certifications						
Agency Certification	cULus 1449 3rd Edition Listed Type 2					
ANSI/IEEE Category A, B & C	C-62.41 & C-62.45					
Warranty						
Product Warranty	Limited Lifetime					

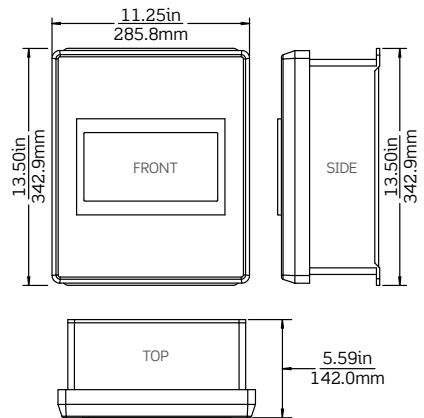
Typical for 37120-7 & 37277-7



Typical for 47277-4X7



Typical for 47120-4X7



Type 2 Non-Modular Surge Protective Devices

One of our most popular series, Leviton's 32000 and 42000 surge protection panels provide protection for up to 80kA of surge current per mode. They feature noise filtering, visual and audible indication of surge protection status and dry contacts for remote monitoring, all in a compact enclosure.



42120-1
with 42001-FMC
Flush Mount Collar

42120-1



32000 and 42000 Series Panel Mount Surge Protective Device

- 32000 Series features reduced noise filtering for optimum compatibility with Leviton's Decora Home Control and X10 communication network devices
- 42000 Series incorporates enhanced noise filtering and sine wave tracking for superior protection
- Three-phase models can be wired for either WYE or Delta AC systems
- Equipped with indicator lights and audible alarm for monitoring power and surge suppression status
- NEMA Type 3R enclosure for indoor/outdoor applications
- Optional flush mount collar available (42001-FMC)
- Limited lifetime product warranty

Ordering Information

Catalog Number	Description	Voltage (V AC) Configuration	Max Surge Current, Per Mode (Per Phase)
32120-1	4-Mode Surge Protection Panel	120/240 Single-phase, 2-wire + gnd	80kA (80kA)
32120-DY3	7-Mode Surge Protection Panel	120/208 3Ø WYE, 4-wire + gnd; 208 3Ø Delta, 3-wire + gnd; 220 3Ø Delta, 3-wire + gnd	80kA (80kA)
32277-DY3	7-Mode Surge Protection Panel	220/380 3Ø WYE, 4-wire + gnd; 277/480 3Ø WYE, 4-wire + gnd; 240 3Ø Delta, 3-wire + gnd; 480 3Ø Delta, 3-wire + gnd	80kA (80kA)
32412-DS3	7-Mode Surge Protection Panel	120/240/120 3Ø Hi-leg Split Phase Delta, 4-wire + gnd	80kA (80kA)
42120-1	4-Mode Surge Protection Panel	120/240 Single-phase, 2-wire + gnd	80kA (80kA)
42120-DY3	7-Mode Surge Protection Panel	120/208 3Ø WYE, 4-wire + gnd; 208 3Ø Delta, 3-wire + gnd; 220 3Ø Delta, 3-wire + gnd	80kA (80kA)
42277-DY3	7-Mode Surge Protection Panel	220/380 3Ø WYE, 4-wire + gnd; 277/480 3Ø WYE, 4-wire + gnd; 240 3Ø Delta, 3-wire + gnd; 480 3Ø Delta, 3-wire + gnd	80kA (80kA)
42412-DS3	7-Mode Surge Protection Panel	120/240/120 3Ø Hi-leg Split Phase Delta, 4-wire + gnd	80kA (80kA)
32347-DY3	4-mode Surge Protection Panel	347/600 3Ø WYE, 4-wire + gnd or 3Ø Delta, 3-wire + gnd	80kA (80kA)
42347-DY3	4-mode Surge Protection Panel	347/600 3Ø WYE, 4-wire + gnd or 3Ø Delta, 3-wire + gnd	80kA (80kA)
42001-FMC	Flush Mount Collar for all 32000 and 42000 Series Panels	—	—

Type 2 Surge Protective Devices

Leviton's 51120 Series panel mount surge protective devices are designed for use in homes and apartment buildings at the service entrance, electrical utility meter, or other branch panel locations. They are also ideal for use in pumping stations, radio towers and light commercial buildings where protection from high-energy, high-voltage transients is desired.



51120-1



51120 Series Panel Mount Surge Protective Devices

- Single high-energy solid-state semiconductor surge suppression circuitry per phase
- Real-time diagnostic visual indicator shows power and suppression status for each protected phase
- Standard J-Box enclosure with pre-punched standard knock-outs can be easily surface mounted in typical frame construction
- Feature a low VPR to ensure protection of sensitive electronic devices including LCD TVs, PDAs and computers
- Compatible with Leviton Decora Home Controls
- Limited Lifetime Product Warranty
- Connected equipment coverage up to \$25,000 for the 51120-1

Ordering Information

Catalog Number	Description	Voltage (V AC) Configuration	Max Surge Current, Per Mode (Per Phase)
51120-1	2-Mode Surge Protection Panel	120/240 Single-phase, 2-wire + gnd	50kA (50kA)
51120-3	3-Mode Surge Protection Panel	120/208 3Ø WYE, 4-wire + gnd	50kA (50kA)

Specifications for: 32000/42000, 51120-1 and 51120-3

Catalog Number	51120-1	51120-3	32120-1 42120-1	32120-DY3 42120-DY3	32277-DY3 42277-DY3	32412-DS3 42412-DS3	32347-DY3 42347-DY3		
Electrical Specifications									
Voltage	120/240V AC, Single-Phase	120/208V AC, 3-Phase WYE	120V/240V Single Phase	120V/208V 3Ø WYE, 208V 3Ø Delta, 220V 3Ø Delta	277V/480V 3Ø WYE, 220V/380V 3Ø WYE, 240V 3Ø Delta, 480V 3Ø Delta	120V/240V/120V 3Ø Hi-leg Delta	347V/600V 3Ø WYE, 600V 3Ø Delta		
Surge Technology	40mm MOV design	40mm MOV design	40mm MOV design	40mm MOV design	40mm MOV design	40mm MOV design	40mm MOV design		
Frequency	50/60Hz	50/60Hz	50/60Hz	50/60Hz	50/60Hz	50/60Hz	50/60Hz		
Recommended Circuit Breaker Rating	20A, 120/24V	20A, 120/208V	20A, 120/240V	30A, 120/208V	30A, 277/480V	30A, 120/240V	30A, 347/600V		
EMI/RFI Noise Rejection	-6dB to -28dB (@100KHz to 100MHz)	-6dB to -28dB (@100KHz to 100MHz)	32000 Series: -20 to -40dB (@ 1.5K-1.2MHz)						
			42000 Series: -30 to -40dB (@ 10K-10MHz)						
Performance Data									
Maximum Continuous Operating Voltage (MCOV)	L-N	150V	150V	150V	150V	320V	150V	385V	
	L-G	—	—	300V	300V	640V	300V	—	
	N-G	—	—	150V	150V	320V	150V	—	
	L-L	300V	300V	254V	254V	552V	254V	770V	
Voltage Protection Rating (VPR)	L-N	800V	800V	800V	700V	1200V	800V	1200V ²	
	L-G	—	—	1200V	1200V	2000V	1200V	—	
	N-G	—	—	700V	700V	1200V	700V	1000V ²	
	L-L	1200V	1200V	1000V	1000V	1800V	1000V	2000V ²	
Nominal Discharge Rating (I _n)	3kA	3kA	3kA	3kA	3kA	3kA	3kA	N/A	
Maximum Surge Current, Per Mode (Per Phase)	50kA (50kA)	50kA (50kA)	80kA (80kA)	80kA (80kA)	80kA (80kA)	80kA (80kA)	80kA (80kA)	80kA (80kA)	
Short Circuit Current Rating	10kA	10kA	100kA	100kA	100kA	100kA	100kA	100kA	
Mechanical Specifications									
Connection Type	Parallel - Hardwired via 12AWG wire								
Diagnostics	Protection status LEDs	Real Time Protection status LEDs & Audible Alarm							
Remote Monitoring	—	Dry Contact Leads -N.O./N.C. Form C Rated at 7Amps @ 240VAC or 30VDC							
Environmental Specifications									
Enclosure type	NEMA 1	NEMA 3R Steel Enclosure							
Flammability	Rated V-2 per UL 94**								
Operating Temperature	-10°C to 60°C								
Storage Temperature	-20°C to 85°C								
Relative Humidity	5% to 95% non-condensing								
Material Specifications									
Outer Enclosure	Powder Coated Steel								
Standards & Certifications									
Agency Certification	cULus 1449 3rd Edition Listed Type 2						CSA C22.2 Certified		
ANSI/IEEE Category A, B & C	C-62.41 & C-62.45								
Warranty									
Product Warranty	Limited Lifetime								
Connected Equipment Coverage	Up to \$25,000*	—							

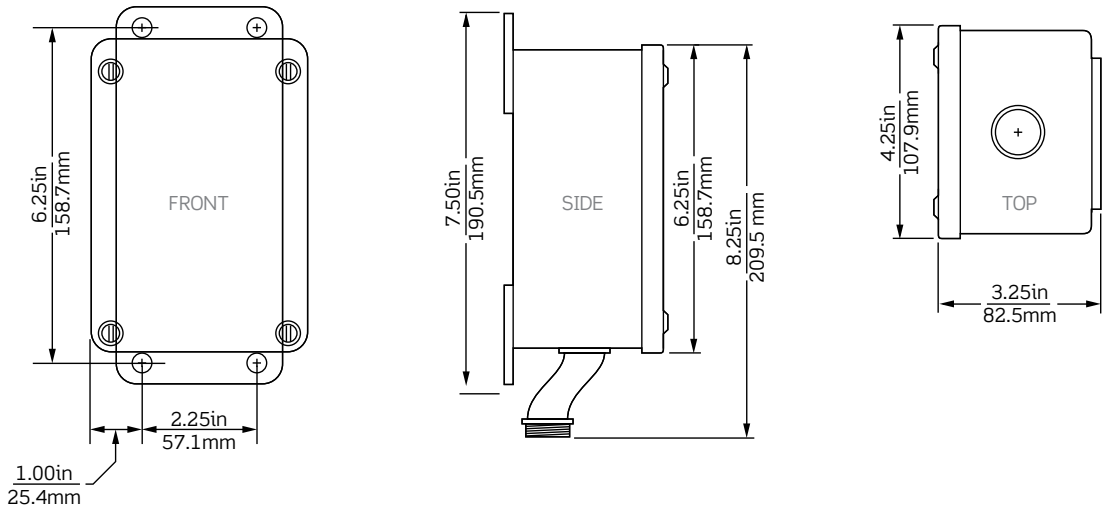
* As part of the True Whole House Surge Protection Warranty

** Flammability rating applies to module only

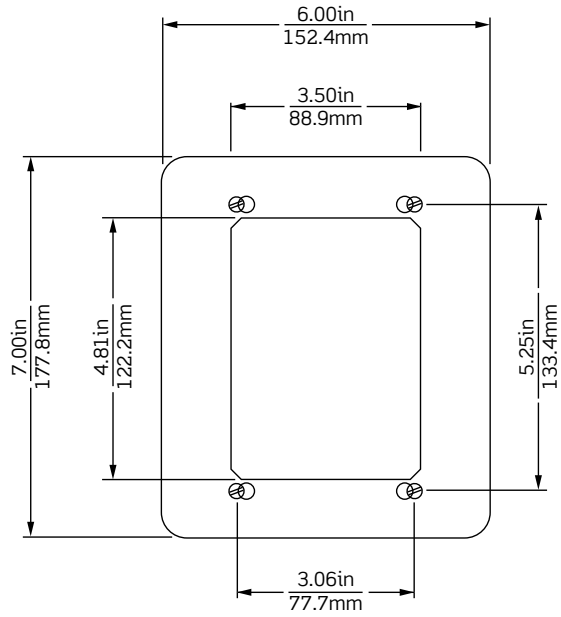
²Surge Voltage Rating (SVR)

Dimensions for: 32000/42000 Series, 51120-1 and 51120-3

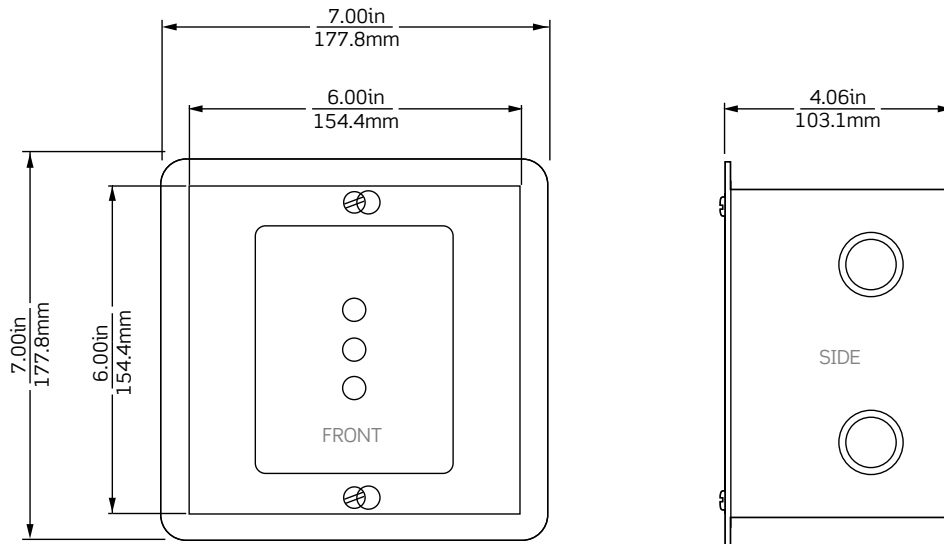
Typical for
32000 / 42000
Series



42001-FMC



51120-1 &
51120-3



Type 2 Surge Protective Devices

Leviton's 51110 Series Residential Surge Protection Panels are designed for mounting at the service entrance in homes, apartments and condominiums. They offer advanced surge protection for modern electronics and appliances, reducing the risk of damage from spikes and surges entering the property through AC power lines. The 51110-PTC also offers protection from surges coming through telephone and cable TV/satellite feeds.



51110-PTC



51110-1

51110 Series Panel Mount Surge Protective Devices

- Real-time diagnostic visual indicator shows power and suppression status for each protected phase
- UL1449 3rd Edition rated
- DHC Power Line Carrier compatible
- 150 maximum continuous operating voltage (MOV) rating allows for tolerance to line voltage swells
- 51110-PTC model provides 4-wire telephone/fax/modem protection using hardwired screw terminations and dual CATV/satellite feed surge protection using Type "F" Connectors
- 10-year limited warranty

Ordering Information

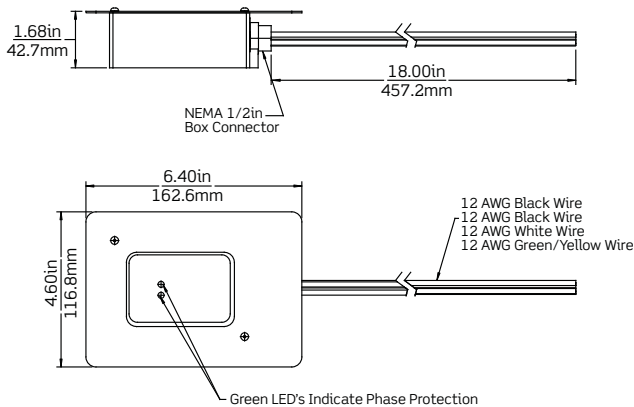
Catalog Number	Description	Voltage (V AC) Configuration	Max Surge Current, Per Mode (Per Phase)
51110-1	4-Mode Surge Protection Panel	120/240 Single-phase, 2-wire + gnd	48kA (96kA)
51110-PTC	4-Mode Surge Protection Panel	120/240 Single-phase, 2-wire + gnd with 4-wire telephone and dual CATV/satellite coax,	48kA (96kA)

Specifications for: 51110 Series

Catalog Number	51110-1	51110-PTC	
Electrical Specifications			
Voltage	120/240V AC, Single-Phase	120/240V AC, Single-Phase	
Surge Technology	MOV	MOV	
Frequency	50/60Hz	50/60Hz	
EMI/RFI Noise Rejection	-6dB to -28dB (@100KHz to 100MHz)	-6dB to -28dB (@100KHz to 100MHz)	
Recommended Circuit Breaker Rating	30A, 120/240V	30A, 120/240V	
Performance Data			
Maximum Continuous Operating Voltage (MCOV)	L-N	150V	150V
	L-G	150V	150V
	N-G	150V	150V
	L-L	300V	300V
Voltage Protection Rating (VPR)	L-N	600V	600V
	L-G	600V	600V
	N-G	600V	600V
	L-L	1000V	1000V
Nominal Discharge Rating (I _n)	3kA	3kA	
Maximum Surge Current, Per Mode (Per Phase)	48kA (96kA)	48kA (96kA)	
Short Circuit Current Rating	10kA	10kA	
Mechanical Specifications			
Connection Type	Hardwired Parallel Connection	Hardwired Parallel Connection	
Diagnostics	Protection status LEDs	Protection status LEDs	
Environmental Specifications			
Enclosure type	NEMA 4X	NEMA 1	
Flammability	Rated V-2 per UL 94**	Rated V-2 per UL 94**	
Operating Temperature	-10°C to 60°C	-10°C to 60°C	
Storage Temperature	-20°C to 85°C	-20°C to 85°C	
Relative Humidity	5% to 95% non-condensing	5% to 95% non-condensing	
Material Specifications			
Outer Enclosure	Vinyl	Powder Coated Steel	
Standards & Certifications			
Agency Certification	cULus 1449 3rd Edition Listed Type 2	cULus 1449 3rd Edition Listed Type 2	
ANSI/IEEE Category A, B & C	C-62.41 & C-62.45	C-62.41 & C-62.45	
Warranty			
Product Warranty	10-year Limited	10-year Limited	

** Flammability rating applies to module only

51110-1



51110-PTC

