

# SYLVANIA Lamps

## RT Screw-based Selectable CCT Series

### Application

Ideal for retrofit applications in healthcare, hospitality, office, residential and retail using 4 inch, 5 inch & 6 inch housings.

### Benefits and Features

- Lumen Package:
  - RT 4 with 650 lumens
  - RT 5/6 with 650 & 1200 lumens
- Selectable Color Temperature: 2700K, 3000K, 3500K, 4000K or 5000K for convenience and different ambient lighting settings
- Replacement for up to 100W incandescent lamps
- Integrated white trim, white baffle reflector, socket adaptor (included)
- No warm-up time, instant-on with full light output and consistent lamp to lamp color
- RT5/6 is compatible with 5 inch & 6 inch housings
- Up to 84 LPW
- Switch to change color temperature is located on the back
- Phase-Cut Dimmable
- CRI 80
- Available beam angle: 110°

### Electrical

- 120V<sub>AC</sub>

### Rated Life

- 35,000 hours (L<sub>70</sub>)

### Warranty

- 5-year

### Ambient Operating Range

- -4°F to +104°F (-20°C to +40°C)

### Certifications and Listings

- UL
- ENERGY STAR®



### Wattage Comparison

| NAED  | Traditional Source | Traditional System Wattage | LED System Wattage | Energy Savings |
|-------|--------------------|----------------------------|--------------------|----------------|
| 40636 | Incandescent       | 65W                        | 9W                 | 86%            |
| 40637 | Incandescent       | 65W                        | 9W                 | 86%            |
| 40638 | Incandescent       | 100W                       | 14W                | 86%            |

### Installation

- Operating temperature range between -4°F and 104°F (-20°C and 40°C).
- Suitable for indoor and outdoor dry, damp and wet locations.
- Suitable for dimmers or in housings controlled by a dimmer. For a list of compatible dimmers, please refer to <https://www.sylvania.com/en-us/products/solid-state-lighting-led/Pages/default.aspx>
- The RT 4 & RT 5/6 Selectable CCT Series recessed downlight kits are dimmable down to 10% of full light output with compatible dimmers. The minimum dimming value is based on light output using compatible dimmers, and may not be an indication of the kit's full rated capability.
- Not intended for use with emergency light fixtures or exit lights.
- For use in housings that can structurally support a lamp weighing one pound.
- RT5/6 designed to install in standard 5" and 6" insulated and non-insulated housings.
- Compatible with IOTA inverter series (model IIS-25, IIS-35, IIS-50, IIS-125, IIS-375 and IIS-550), Philips Bodine (model ELI-S-20, ELI-S-100 and ELI-S-250), and LVS model CEPS-350-VOLT.

### Specifications and Certifications



## Specification Data

|             |      |
|-------------|------|
| Catalog #   | Type |
| Project     |      |
| Comments    |      |
| Prepared by |      |

## Ordering Guide

|            |            |   |            |   |                |   |            |   |             |
|------------|------------|---|------------|---|----------------|---|------------|---|-------------|
| <b>LED</b> | <b>RT4</b> | / | <b>120</b> | / | <b>SC3</b>     | / | <b>650</b> | / | <b>WH</b>   |
| LED        | RT4 inch   |   | Voltage    |   | Selectable CCT |   | Lumens 650 |   | Color White |

## Ordering Information

| Item Number | Ordering Abbreviation   | Power (W) | Base Type  | Replaces | Input Voltage (V) | Average Life (hrs) | CCT                               | Case Qty | Typical Lumens (lm) | CRI | Power Factor | Bulb Finish | ENERGY STAR® | T20 |
|-------------|-------------------------|-----------|------------|----------|-------------------|--------------------|-----------------------------------|----------|---------------------|-----|--------------|-------------|--------------|-----|
| 40636       | LEDRT4/120/SC3/650/WH   | 9W        | E26 Medium | 65W      | 120               | 35,000             | 2700K, 3000K, 3500K, 4000K, 5000K | 4        | 650                 | 80  | >90%         | Frosted     | Yes          | No  |
| 40637       | LEDRT56/120/SC3/650/WH  | 9W        | E26 Medium | 65W      | 120               | 35,000             | 2700K, 3000K, 3500K, 4000K, 5000K | 4        | 650                 | 80  | >90%         | Frosted     | Yes          | No  |
| 40638       | LEDRT56/120/SC3/1200/WH | 14W       | E26 Medium | 100W     | 120               | 35,000             | 2700K, 3000K, 3500K, 4000K, 5000K | 4        | 1200                | 80  | >90%         | Frosted     | Yes          | No  |

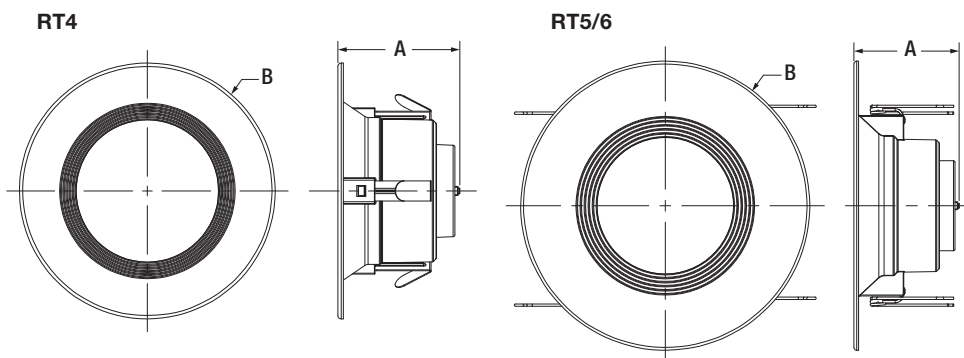
## Energy Savings

| Basic Product Description | LED Life (hrs) | LED Lumens | Similar Incandescent (hrs) | Incandescent Lumens | Watts Saved | Energy Savings* | LED Life vs Incandescent |
|---------------------------|----------------|------------|----------------------------|---------------------|-------------|-----------------|--------------------------|
| LEDRT4/120/SC3/650/WH     | 35,000         | 650        | 2000                       | 640                 | 56W         | \$216           | 17.5X                    |
| LEDRT56/120/SC3/650/WH    | 35,000         | 650        | 2000                       | 640                 | 56W         | \$216           | 17.5X                    |
| LEDRT56/120/SC3/1200/WH   | 35,000         | 1200       | 2000                       | 1600                | 86W         | \$330           | 17.5X                    |

\*Energy savings over life of lamp calculated at \$0.11/kWh

## Physical Information

| Lamp Description        | (A) Height | (B) Diameter |
|-------------------------|------------|--------------|
| LEDRT4/120/SC3/650/WH   | 67mm       | 140mm        |
| LEDRT56/120/SC3/650/WH  | 68mm       | 186mm        |
| LEDRT56/120/SC3/1200/WH | 70mm       | 186mm        |



LEDVANCE LLC  
 200 Ballardvale Street  
 Wilmington, MA 01887 USA  
 Phone 1-800-LIGHTBULB (1-800-544-4828)  
 www.sylvania.com

SYLVANIA and LEDVANCE are registered trademarks.  
 All other trademarks are those of their respective owners.  
 Licensee of product trademark SYLVANIA in general lighting.  
 Specifications subject to change without notice.

[/sylvania](#) [/sylvania](#)

