

# Contractor Series LED Reflector Lamps

11,000 Hour Life



## Key Features & Benefits

- Dimmable down to 10%\*
- Rated life: up to 11,000 hours (L<sub>70</sub>)
- Damp location rated
- 2700K, 3500K and 5000K color temperature options
- Good color quality
- Lightweight
- Energy savings up to 86%
- Longer life than traditional incandescent lamps
- No warm-up time, instant on with full light output and stable color
- Smooth heat sink design

\*Performance may vary depending on dimmer used in application. Please refer to Dimmer Compatibility List (RETRO-DIM) for a list of compatible dimmers or visit [www.SYLVANIA.com/LEDRetrofit](http://www.SYLVANIA.com/LEDRetrofit)



Rated up to 11,000 hours at 70% lumen maintenance, Contractor Series LED reflector lamps offer years of service and reduce energy and maintenance costs. Contractor Series LED reflector lamps are environmentally preferred products. They are RoHS compliant and contain no mercury, lead or other hazardous materials. They emit no UV or IR radiation. A CRI of 80+ ensures good color definition. Available in warm white 2700K CCT, bright warm 3500K CCT and bright white 5000K CCT, these lamps offer a great value in both homes and businesses.

## Product Offering

Ordering Abbreviation	Wattage	Typical Lumens	Color Temperature
R20 LED	5	325	2700K & 5000K
BR30 LED	9	650	2700K, 3500K & 5000K
BR40 LED	13	900	2700K
BR40 LED	13	1050	5000K

## Application Information

### Applications

- General lighting
- Recessed downlights
- Track lighting
- Wall washer

### Market Segments

- Art galleries
- Hospitality
- Museums
- Offices
- Residential
- Restaurants
- Retail

### Application Notes

1. Operating temperature -4°F to +104°F (-20°C to +40°C)
2. Not for use with emergency light fixtures or exit lights
3. Use in open fixture
4. Suitable for outdoor use in UL rated fixtures where protected from the weather

This device complies with part 15 of the FCC Rules. Operation is subject to the following two conditions: (1) This device may not cause harmful interference, and (2) this device must accept any interference received, including interference that may cause undesired operation. For FCC Part 15 user information, please see [www.sylvania.com/fcc15b](http://www.sylvania.com/fcc15b)



Catalog #	Type
Project	
Comments	
Prepared by	

### Ordering Information

Item Number	Ordering Abbreviation	Wattage (W)	Base Type	Replaces	Input Voltage (V)	Average Rated Life (hrs.) <sup>1</sup>	CCT <sup>3</sup>	Typical Lumens (lm) <sup>2</sup>	CRI <sup>4</sup>	Power Factor	ENERGY STAR <sup>®</sup>
73993	LED5R20/DIM/827/10YVRP2	5	Medium	35W	120	11,000	2700K	325	80	0.7	No
78030	LED5R20/DIM/835/10YVRP2	5	Medium	35W	120	11,000	3500K	325	80	0.7	No
73991	LED5R20/DIM/850/10YVRP2	5	Medium	35W	120	11,000	5000K	325	80	0.7	No
<del>73954</del>	LED9BR30/DIM/827/10YV/RP2	9	Medium	65W	120	11,000	2700K	650	80	0.7	No
78029	LED9BR30/DIM/835/10YVRP2	9	Medium	65W	120	11,000	3500K	650	80	0.7	No
<del>73956</del>	LED9BR30/DIM/850/10YV/RP2	9	Medium	65W	120	11,000	5000K	650	80	0.7	No
<b>79498</b>	<b>LED13BR40/DIM/827/10YVRP2</b>	<b>13</b>	<b>Medium</b>	<b>85W</b>	<b>120</b>	<b>11,000</b>	<b>2700K</b>	<b>900</b>	<b>80</b>	<b>0.7</b>	<b>No</b>
<del>79624</del>	LED13BR40/DIM/850/10YVRP2	13	Medium	85W	120	11,000	5000K	1050	80	0.7	No

1. Hours lifetime with 70% lumen maintenance  
 2. Thermally stable typical lumens (±10%)  
 3. Thermally stable typical CCT (±10%)  
 4. CRI – Color Rendering Index

### Ordering Guide

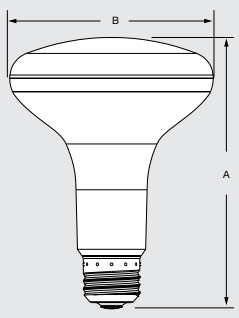
<b>LED</b>	<b>9</b>	<b>BR30</b>	<b>/</b>	<b>DIM</b>	<b>/</b>	<b>8</b>	<b>27</b>	<b>/</b>	<b>10YV</b>	<b>/</b>	<b>RP2</b>
LED Lamps and Retrofits	Wattage: 9	Lamp Type: BR30		Dimmable		CRI = 80	Color Temperature 2700K, 3500K, 5000K		11,000 Hours Life		Retail 2 Pack

### Energy Savings

Basic Product Description	LED Life (hrs.)	Similar Incandescent	Incandescent Lumens	Watts Saved	Energy Savings	LED Life vs. Incandescent
LED 5W R20	11,000	35WR20	330	30	\$36.00	4.4x
LED 9W BR30	11,000	65WBR30	610	56	\$68.00	4.4x
LED 13W BR40	11,000	85WBR40	1068	72	\$87.00	4.4x

### Lamp Dimensions

	(A) MOL inches	(B) Diameter inches
LED R20	3.75	2.63
LED BR30	5.00	3.74
LED BR40	6.25	4.88



LEDVANCE LLC  
 200 Ballardvale Street  
 Wilmington, MA 01887 USA  
 Phone 1-800-LIGHTBULB (1-800-544-4828)  
 www.sylvania.com

SYLVANIA and LEDVANCE are registered trademarks.  
 All other trademarks are those of their respective owners.  
 Licensee of product trademark SYLVANIA in general lighting.  
 Specifications subject to change without notice.

[/sylvania](#) [/sylvania](#)

