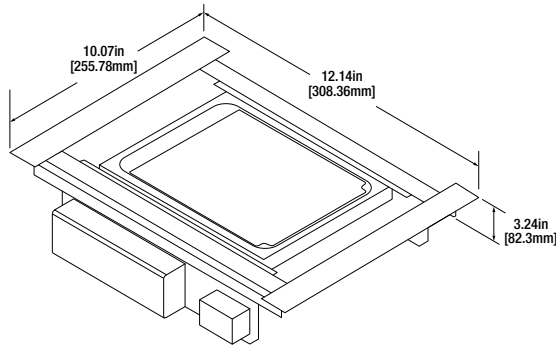


ReliaSys™ D15 LED Retrofit Kit



Dimensions



Product Features

The OSRAM ReliaSys D15 LED Retrofit Kit is a cost-effective, energy-saving alternative to high-intensity discharge (HID) lamps up to 400W* at pole heights as tall as 35 feet. The directional light distribution of high power LEDs allows the delivery of light only where needed, reducing wasted light and minimizing light trespass and upward light to reduce sky glow.

The D15 LED Retrofit Kit is an environmentally preferable LED lighting solution containing no mercury or lead. Retrofit kits minimize waste sent to landfills by making the fixture more energy efficient without having to replace and dispose of the entire fixture. Plus, its long life compared to HID means less spent lamps being replaced and needing disposal.

*Fixture dependent

Ordering Guide

Part Number:

LED	140	7	30	T3	XXX	DX
Product Name LED D15 RETROFIT KIT	Wattage 140=140W	CRI 7=70+	Color Temperature 30=3000K 41=4100K 50=5000K	Photometric Distribution T3= Type 3 Distribution T5= Type 5 Distribution	Voltage UNV=120-277V HUV= 347-480V	Dimmable DX=0-10V Dimmable

Catalog #

Type

Project

Notes

Date

Specifications

Weight: 15 lbs.

Construction: The light-engine assembly consists of an anodized aluminum heatsink, metal-core PCB light-engine and an IP66 sealed optic. The low thermal resistance of this assembly enables it to achieve long life and very high efficacy.

LED System: LED system with a life rating at 50,000 hours at L₇₀. Luminaire efficacy up to 103 LPW.

Electrical: The OSRAM ReliaSys D15 LED Retrofit Kit features 120-277 VAC universal voltage, and includes 10kV transient protection, effectively suppressing most transient surges on the AC line. The high Power Factor (PF >0.90), low total harmonic distortion (THD <20%) constant current LED driver also features built-in over-temperature protection.

Color Characteristics: CRI >70; CCT selections of 3000K, 4100K or 5000K.

Optics: Selections of Type III or Type V light distributions. Efficacy and light distribution are maximized with a profiled acrylic lens design. Light intensity and direction are tightly controlled, allowing fixture design freedom to achieve illuminance levels equal to or greater than MH or HPS options, at much lower wattage.

Installation: Flexible retrofit solution that fits a variety of luminaires. (See installation instructions for various compatible luminaire options). Mounting hardware is included in kit.

Listings: IP Rating is fixture dependent, FCC and RoHS Certified and UL listed for wet locations – US and Canada, tested in accordance with IEEE C62.41-2002 Category A. DLC Qualified for utility rebates.

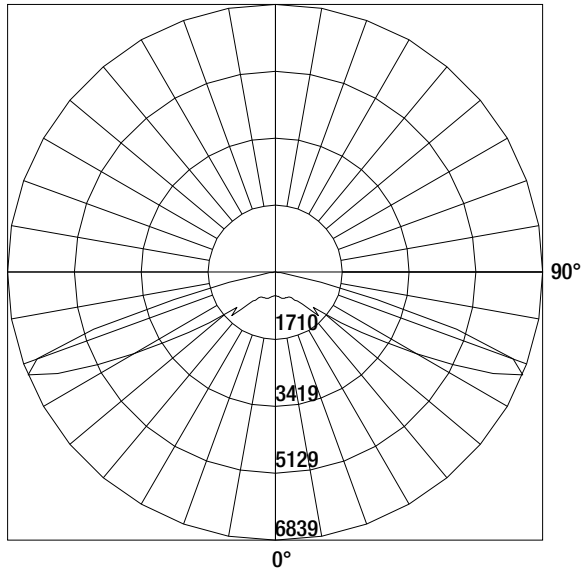
Warranty: Standard OSRAM 5-year luminaire warranty (LED152).

Note: Specifications subject to change without notice. IES files are available online.

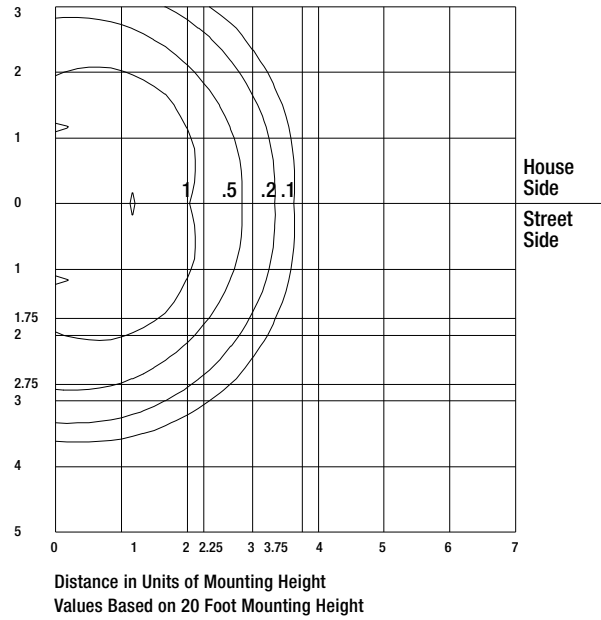


Photometric Data

ReliaSys™ D15 LED Retrofit Kit: 140 Watt, 4100K
 Maximum Candela = 6838.6



ISOFOOTCANDLE Lines of Horizontal Illuminance



Ordering Information

Item Number	Ordering Abbreviation	Wattage (W)	Voltage (VAC)	Power Factor	Typical Lumens	Efficacy (LPW)	Color Temp (CCT)
78939	LED140RETROFIT730-T5-UNV-DX	140	120-277	>.90	11,400	81	3000K
78940	LED140RETROFIT741-T5-UNV-DX	140	120-277	>.90	12,400	89	4100K
78941	LED140RETROFIT750-T5-UNV-DX	140	120-277	>.90	14,500	103	5000K
78942	LED140RETROFIT730-T3-UNV-DX	140	120-277	>.90	11,400	81	3000K
78943	LED140RETROFIT741-T3-UNV-DX	140	120-277	>.90	12,400	89	4100K
78944	LED140RETROFIT750-T3-UNV-DX	140	120-277	>.90	14,500	103	5000K
78972	LED140RETROFIT730-T5-HUV-DX	140	347-480	>.90	11,400	81	3000K
78973	LED140RETROFIT741-T5-HUV-DX	140	347-480	>.90	12,400	89	4100K
78974	LED140RETROFIT750-T5-HUV-DX	140	347-480	>.90	14,500	103	5000K
78975	LED140RETROFIT730-T3-HUV-DX	140	347-480	>.90	11,400	81	3000K
78976	LED140RETROFIT741-T3-HUV-DX	140	347-480	>.90	12,400	89	4100K
78977	LED140RETROFIT750-T3-HUV-DX	140	347-480	>.90	14,500	103	5000K

OSRAM is a registered trademark of OSRAM GmbH.
 ReliaSys is a trademark of OSRAM SYLVANIA Inc.
 Specifications subject to change without notice.