

# ULTRA SE<sup>®</sup> LED Premium Dimmable RT5/6

Recessed Downlight



SYLVANIA ULTRA SE LED lamps allow control of energy usage, light output and color temperature, and are ideally suited to retrofit 5" and 6" retrofit cans. These lamps offer dimming characteristics similar to incandescent lamps with color temperature shifting from 3000K to 2000K as the lamp dims. The warmer color temperature at lower light levels allows you to create a comfortable, relaxing environment ideal for hospitality applications. ULTRA SE lamps are dimmable down to 10% on compatible phase-cut dimmers and the perfect lamps when you need to change the environment from a bright white light to warm and cozy.

## Application Information

### Applications

- Healthcare
- Hospitality
- Office
- Property Management
- Residential
- Retail

## Key Features & Benefits

- Reduction in color temperature from 3000K to 2000K as lamp dims
- Lumen package:
  - 700 lumens @ 10 watts
- Replacement for up to 65W incandescent lamps
- RT6: Fits into most 6" recessed downlight fixtures
- CRI of 82
- Dimmable down to 10%\*
- 50,000 hour life (L<sub>70</sub>)
- Suitable for indoor dry, damp and wet locations
- Reduces energy consumption up to 84%
- Lasts up to 25 times longer than incandescent lamps
- No warm-up time, instant-on with full light output and stable lamp to lamp color
- Integrated trims and medium base for direct replacement

\* Performance may vary depending on dimmer use in application. Please refer to Dimmer Compatibility List (RETRO-DIM) for a list of compatible dimmers or visit [www.sylvania.com/ledretrofit](http://www.sylvania.com/ledretrofit).

## Product Offering

Lumen Output	Wattage	Color Temperature	CRI
700	10	3000K	82

## Specifications and Certifications



## Application Notes

1. Operating temperature range between -40°F and 104°F (-40°C and 40°C).
2. Suitable for indoor and outdoor dry, damp and wet locations.
3. Suitable for dimmers or in housings controlled by a dimmer – see [www.sylvania.com/ledretrofit](http://www.sylvania.com/ledretrofit) for detailed dimmer compatibility list.
4. Not intended for use with emergency light fixtures or exit lights.
5. For use in housings that can structurally support a lamp weighing one pound.
6. For a list of compatible housings, please refer to [www.sylvania.com/ledretrofit](http://www.sylvania.com/ledretrofit).
7. For detailed warranty information, please see [www.sylvania.com/ledretrofit](http://www.sylvania.com/ledretrofit).



## Specification Data

Catalog #	Type
Project	
Comments	
Prepared by	

## Specifications

### Energy Data

Minimum Starting Temp: -40°F (-40°C) RT6  
 EMI/RFI: FCC Title 47 CFR, Part 15, Class B  
 Sound Rating: <24dBA  
 Input Voltage: 120V  
 Input Frequency: 60Hz  
 Power Factor: >0.90  
 THD: <20%

Input Power: 10W

Input Current: 0.08A

Maximum Ambient Operating Temperature  
 (Insulated Ceiling): 40°C (104°F)

Maximum Ambient Operating Temperature  
 (Non-Insulated Ceiling): 40°C (104°F)

### Lighting Data

Lumen Output: 700

Wattage: 10

Lumens per Watt: 70

### Color

Correlated Color Temperature (CCT): 3000K

Color Rendering Index (CRI): 82

## Ordering Information

Item Number	Ordering Abbreviation	Recessed Housing	Replaced Incandescent Wattage (W)	Nominal Wattage (W)	Delivered Light Output (lm)	Color Temperature	CRI	Avg. Rated Life (hrs.)*
73497	LED/RT/5/6/700/SE/830	5"/6"	65	10	700	3000K	82	50,000

\* LED lamp life is defined as the number of hours when 50% of an average group of identical lamps reached 70% of initial lumens.  
 Beam angle = 120°

## Ordering Guide

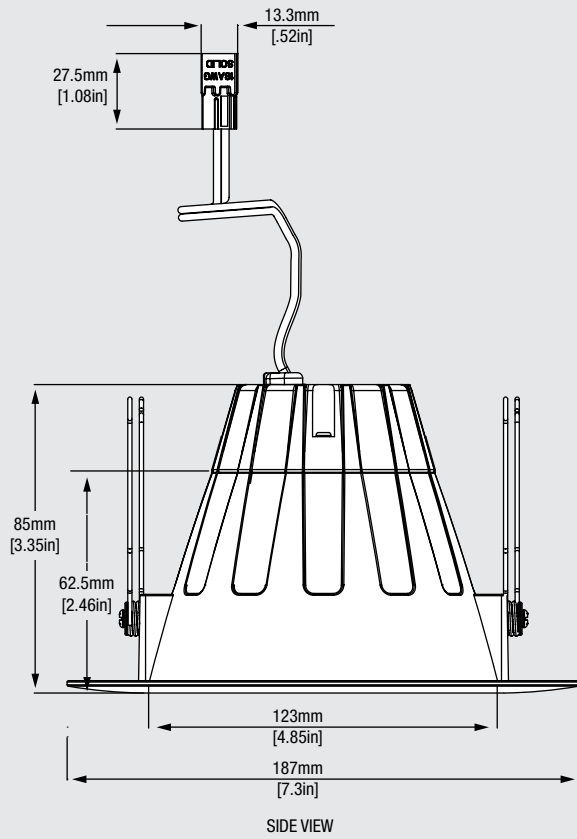
<b>LED</b>	/	<b>RT</b>	/	<b>5/6</b>	/	<b>700</b>	/	<b>SE</b>	/	<b>8</b>	/	<b>30</b>
LED		RT		5"/6"		Lumen Output 700lm		Sunset Effect		CRI=82		Color Temperature 3000K

## Power Supply Information

Basic Product Description	LED Lumens	LED Life (Hrs)	Traditional Lamp Types	Lumens	Life	Watts Saved	Energy Savings*	Life Benefit
RT6	700	50,000	Incandescent 65BR30	640	2000	55	\$302	25X
			Halogen 50WBR30/SS/HAL	585	2500	40	\$220	20X
			Halogen 50WPAR30LN/WFL	660	2500	40	\$220	20X
			Compact Fluorescent 15WBR30	600	8000	5	\$27	6X

\* Based on \$0.11/kWh over 50,000 hours life.

## Assembly Diagram



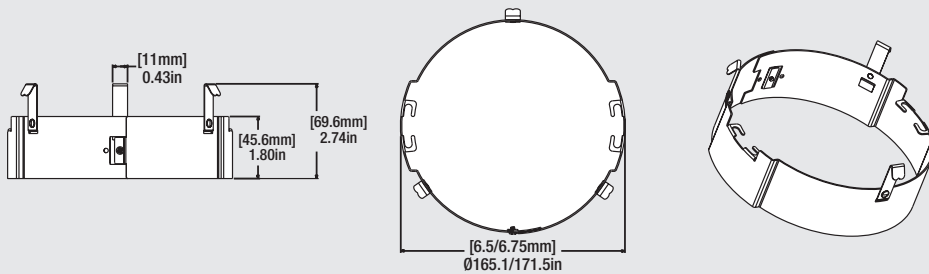
## Accessories

### Push Wire Adaptor

75107 LED/ADAPTOR/PUSHWIRE (sold separately)

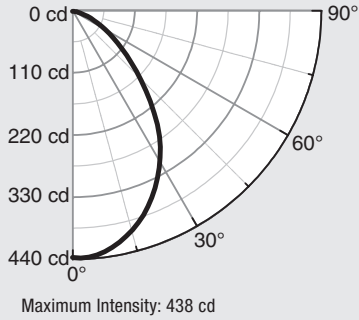
### Retrofit Band (For 6" housing models Progress Lighting P87-AT and Lightolier 1104IC)

70663 RT6/RETROFITBAND (sold separately)



**Photometric Information**

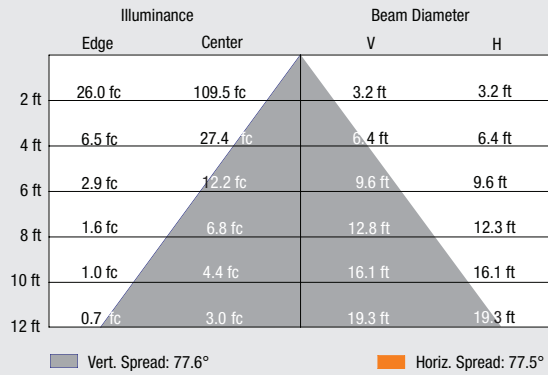
**Polar Chart**



**Zonal Lumen Distribution**

Zone	Lumens	% Fixture
0-30	305.6	41.3
0-40	462.6	62.5
0-60	668.3	90.3
60-90	71.5	9.7
0-90	739.8	100.0
90-180	0.0	0.0
0-180	739.8	100.0

**Illuminance at a Distance**



**Spacing to Mounting Height Ratio**

Spacing Criteria (0-180°)	1.04
Spacing Criteria (90-270°)	1.08
Spacing Criteria (Diagonal)	1.12

LEDVANCE LLC  
 200 Ballardvale Street  
 Wilmington, MA 01887 USA  
 Phone 1-800-LIGHTBULB (1-800-544-4828)  
 www.sylvania.com

SYLVANIA and LEDVANCE are registered trademarks.  
 All other trademarks are those of their respective owners.  
 Product Licensee of Trademark SYLVANIA in General Lighting.  
 Specifications subject to change without notice.

