



Color:  Blue

UPC Code: 07847743440

Country Of Origin: Mexico

NEMA:
5-20R



T5380-B

Brand Features

Leviton's Surge Protection Devices can be used individually or as part of a coordinated application strategy, to protect sensitive electronic equipment, in industrial, commercial and residential locations, from the stress and degradation inflicted by voltage transients. Leviton Surge Protection Devices are compliant with UL 1449 Standards. Leviton's outstanding Surge Protection Devices divert damaging voltage transients, or surges, away from electronic equipment. Transients are diverted away from sensitive micro circuitry, providing protection against catastrophic failure, costly downtime and data disruptions.

Item Description

Decora Plus Surge Protective Duplex Receptacle Outlet, Commercial Specification Grade, Tamper-Resistant, 20 Amp, 125 Volt, Back or Side Wire, NEMA 5-20R, 2-Pole, 3-Wire, Self-Grounding - Blue

Technical Information

Electrical Specifications

Amperage: 20 A
Current Limiting: Full Rated Current
Dielectric Voltage: Withstands 2000V per UL498
Grounding: Self-Grounding
Pole: 2
Temperature Rise: Max 30C after 250 cycles OL at 200 percent rated current
Voltage: 125 VAC
Wire: 3-Wire

Environmental Specifications

Flammability: Rated V-2 per UL94
Operating Temperature: -40C to 60C

Material Specifications

Body Material: Polycarbonate
Clamp Nuts: Zinc-Plated Steel
Face Material: Nylon
Ground Clips: Brass-Plated Steel
Grounding Screw: Brass-Plated Steel
Line Contacts: Brass Triple-Wipe
Shutter Mechanism: Delrin® Acetal
Terminal Screws: Brass-Plated Steel
Yoke: Zinc-Plated Steel

Mechanical Specifications

Product ID: Ratings are permanently marked on device
Terminal Accom.: 14-10 AWG
Terminal ID: Brass-Hot, Green-Ground, Silver-Neutral
Torque Range: 14-16 inch pounds
Termination: Back or Side Wire

Performance Data

Diagnostics: Indicator Light
Joules Rating: 720
Maximum Surge Current, Per Mode (Per Phase): 27kA (L-N:18kA, L-G:9kA)
MCOV: 150V rms
Noise Rejection: -30dB at 500kHz-30MHz
Nominal Discharge Current Rating: 3kA
Short Circuit Current Rating: 5kA
VPR: L-N: 600V, L-G: 700V, N-G: 600V

Product Features

Color: Blue
NEMA: 5-20R
Device Type: Duplex Receptacle Outlet
Grade: Commercial Specification Grade
Brand: Decora Plus
Function: Surge Protective
Feature 2: Tamper-Resistant

Standards and Certifications

Agency Certifications: UL 498, UL 1449 3rd Edition Listed and CSA C22.2 Certified Type 3

ANSI: C-73

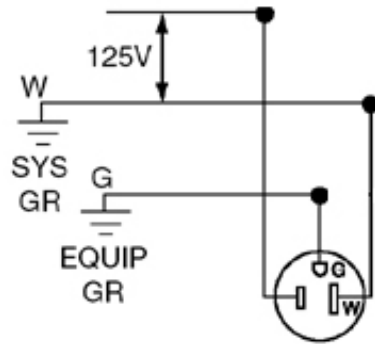
NEMA: WD-6

NOM: 057

Warranty

Product Warranty: 10-Year Limited

Wiring Diagram



5-15R

SPECIFICATION SUBMITTAL

JOB NAME:	CATALOG NUMBERS:	
<input type="text"/>	<input type="text"/>	<input type="text"/>
JOB NUMBER:	<input type="text"/>	<input type="text"/>

Leviton Manufacturing Co., Inc.

201 North Service Road, Melville, NY 11747

Teléfono: +1-800-323-8920 · FAX: +1-800-832-9538 · Tech Line (8:30AM-7:30PM E.S.T. Monday-Friday): +1-800-824-3005

Leviton Manufacturing of Canada, Ltd.

165 Hymus Boulevard, Pointe Claire, Quebec H9R 1E9 · Telephone: +1-800-469-7890 ·

FAX: +1-800-824-3005 · www.leviton.com/canada

Leviton S. de R.L. de C.V.

Lago Tana 43, Mexico DF, Mexico CP 11290 · Tel.: (+52)55-5082-1040 · FAX: (+52)5386-

1797 · www.leviton.com.mx

Visit our Website at: www.leviton.com

© 2018 Leviton Manufacturing Co., Inc. Todos los derechos reservados. Subject to change without notice.

Leviton has a global presence.

If you would like to know where your local Leviton office is located please go to:

www.leviton.com/international/contacts/

