

XD EXPANSION/DEFLECTION COUPLING

APPLICATION:

XD Expansion/Deflection couplings are used with threaded Rigid Metal Conduit or EMT to couple together (2) sections of conduit and protect conduit wiring systems from damage due to any movement: expansion, contraction, angular or parallel deflection.

XD Expansion/Deflection couplings are UL Listed (UL 514B) and CSA Certified (CSA C22.2 No.18.3) suitable for wet location and provide an effective grounding means for use indoors and outdoors without an external bonding jumper. They meet the requirements of Article 250.98 of the NEC, providing an electrically continuous raceway, requiring no additional bonding means.

XD Expansion/Deflection couplings accommodate axial expansion or contraction up to 3/4", parallel deflection up to 3/4" and angular deflection up to 30° in any direction of the coupled conduit runs. This results in protection of conduit wiring systems from damage due to any such movement.

The integral (2) piece union allows connection between rigid conduit, where neither conduit can be turned, or where a conduit run may be desired to be broken without taking down the entire run.

INSTALLATION INSTRUCTIONS:

Never perform installation on energized line.

NOTE: When used in wet locations, apply a thin coat of electrically conductive compound (Kopr-Shield®) on the first three internal NPT threads to enhance conductivity and protect mating surfaces.

The XD Expansion/Deflection coupling units come from the factory with the integral (2) piece union. See Fig.1.

CAUTION

DO NOT TWIST THE UNIT WHEN INSTALLING TO AVOID DAMAGE TO GROUNDING STRAP.

To install the XD coupling, all NEC and local codes must be followed by a qualified installer. Verify that ground continuity has been established by using an Ohmmeter or other suitable testing equipment before energizing. Failure to properly ground the connection will create an electrical shock hazard which can cause serious injury or death.

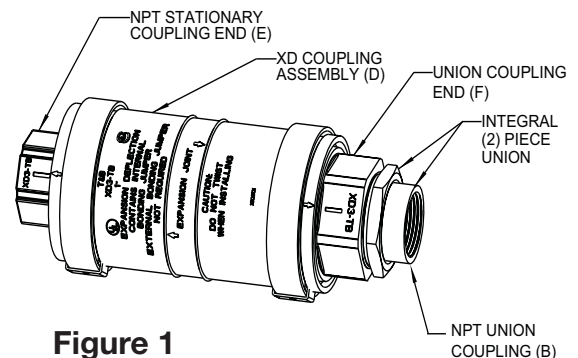


Figure 1

For installation where both conduits can be turned.

1. Wrench-tight Union Nut (A). See Fig. 2.
2. Thread NPT Stationary Coupling End (E) onto conduit (#1). Finish tightening with a pipe wrench (wrench-tight). DO NOT use Union Coupling End (F), this could damage grounding strip.
3. With Union Nut (A) wrench-tight, complete assembly by holding Union Coupling End (F) firmly and thread conduit (#2) into NPT Union Coupling (B). Finish tightening with a pipe wrench (wrench-tight) see Fig. 2.

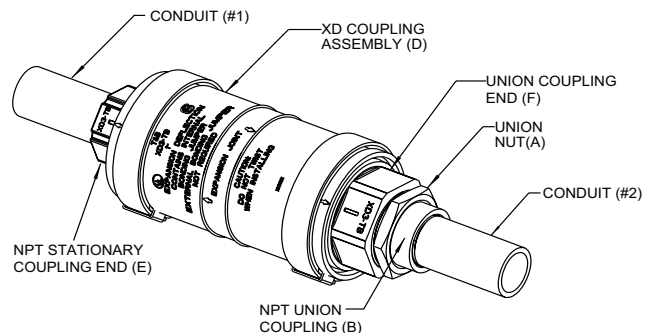


Figure 2

For Installation where one or both conduits CANNOT be turned.

1. Thread NPT Stationary Coupling End (E) onto Conduit (#1) and hand-tighten. Finish tightening with a pipe wrench (wrench-tight). See Fig. 3. DO NOT tighten using Union Coupling End (F).
2. Disassemble integral (2) Piece Union from XD Coupling Assembly (D) by loosening and removing Union Nut (A). See Fig. 3 and 4.
3. Take the Union Nut (A) and slide it over Conduit (#2). See Fig. 4.
4. Then thread NPT Union Coupling (B) onto conduit (#2) and hand-tighten. Finish tightening with a pipe wrench (wrench-tight). See Fig. 5.
5. Slide conduit (#2) sub-assembly with NPT Union Coupling (B) into Union Coupling End (F) with Gasket (C) placed between them, to ensure rain-tight. See Fig. 6.
6. Slide Union Nut (A) back over and thread Union Nut (A) into Union Coupling End (F) until it completely seats on NPT Union Coupling (B). Finish tightening Union Nut (A) with a wrench (wrench-tight). Final assembly will look like Fig. 7.

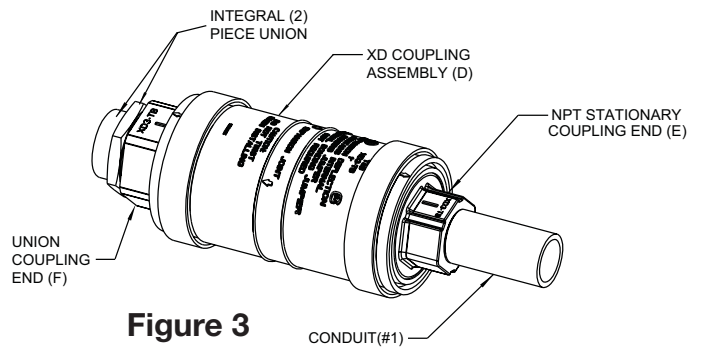


Figure 3

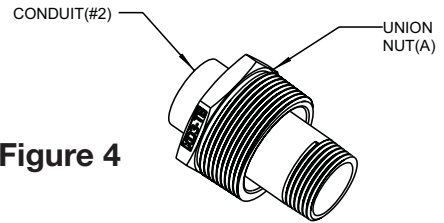


Figure 4

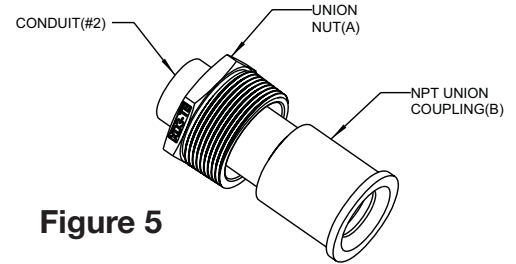


Figure 5

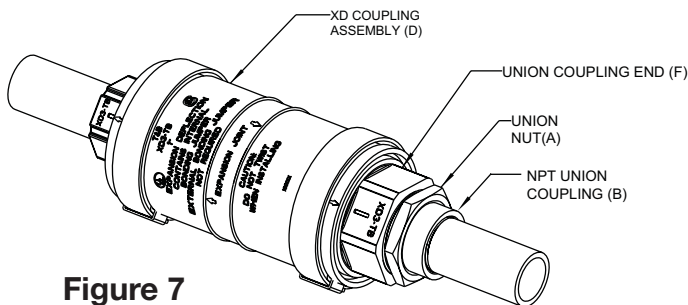


Figure 7

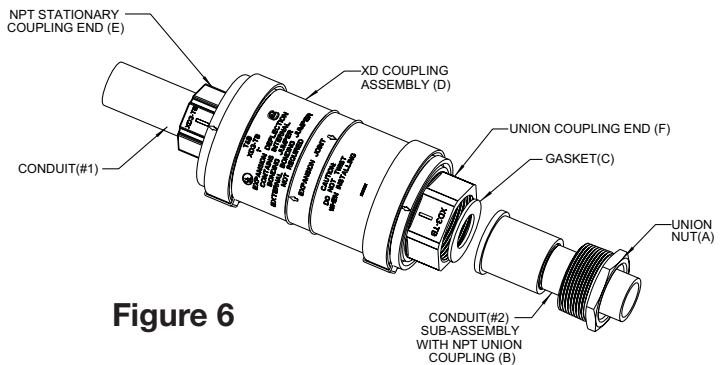


Figure 6

WARRANTY: Thomas & Betts sells this product with the understanding that the user will perform all necessary tests to determine the suitability of this product for the user's intended application. Thomas & Betts warrants that this product will be free from defects in materials and workmanship for a period of two (2) years following the date of purchase. Upon prompt notification of any warranted defect, Thomas & Betts will, at its option, repair or replace the defective product or refund the purchase price. Proof of purchase is required. Misuse or unauthorized modification of the product voids all warranties.

Limitations and Exclusions: THE ABOVE WARRANTY IS THE SOLE WARRANTY CONCERNING THIS PRODUCT, AND IS IN LIEU OF ALL OTHER WARRANTIES EXPRESS OR IMPLIED, INCLUDING BUT NOT LIMITED TO ANY IMPLIED WARRANTY OF MERCHANTABILITY OR FITNESS FOR A PARTICULAR PURPOSE, WHICH ARE SPECIFICALLY DISCLAIMED. LIABILITY FOR BREACH OF THE ABOVE WARRANTY IS LIMITED TO COST OF REPAIR OR REPLACEMENT OF THE PRODUCT, AND UNDER NO CIRCUMSTANCES WILL THOMAS & BETTS BE LIABLE FOR ANY INDIRECT, SPECIAL, INCIDENTAL OR CONSEQUENTIAL DAMAGES.

Thomas & Betts Corporation
 Memphis, TN 38125
 website: www.tnb.com