

ASSEMBLY VIEW

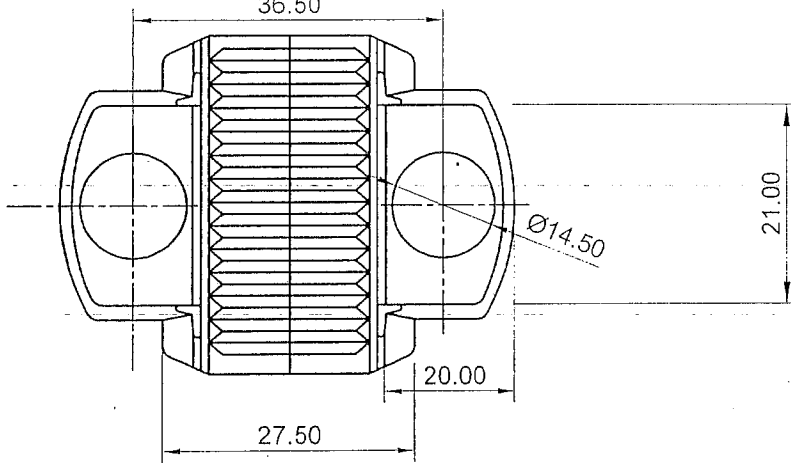
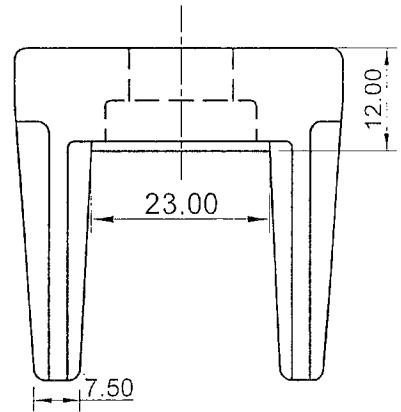
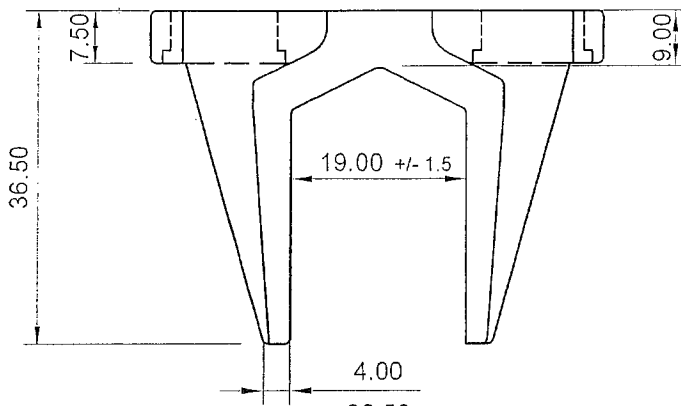
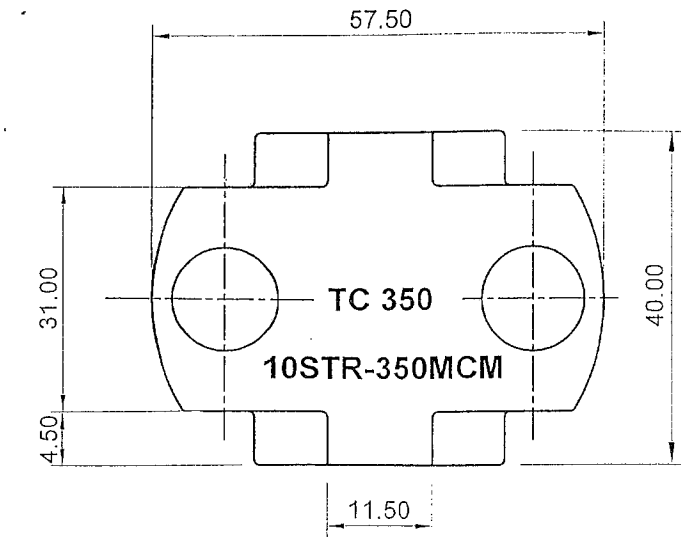


NSi Industries, LLC

TITEL- *Assembly View Of Cast Connector* TC. 350

SCALE- *N.T.S.* FINISH- _____

| | NAME | DATE |
|-------------|------|---------------|
| DRAWN | SD | 09/05/2006 |
| CHECKED | KM | 09/05/2006 |
| APPROVED | KM | 09/05/2006 |
| MATERIAL | - | |
| TOLERANCE | - | |
| Drawing No. | - | 2767/a |



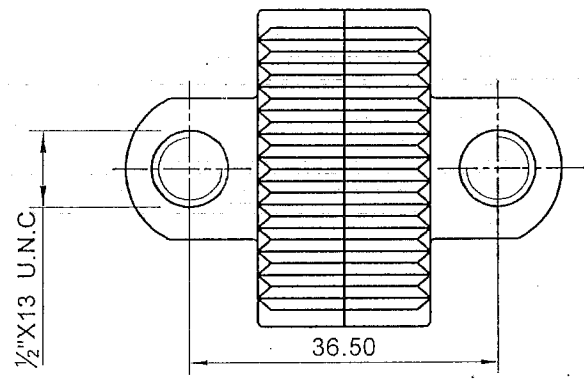
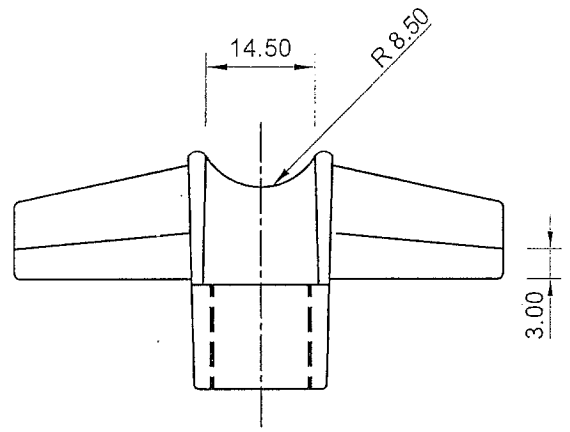
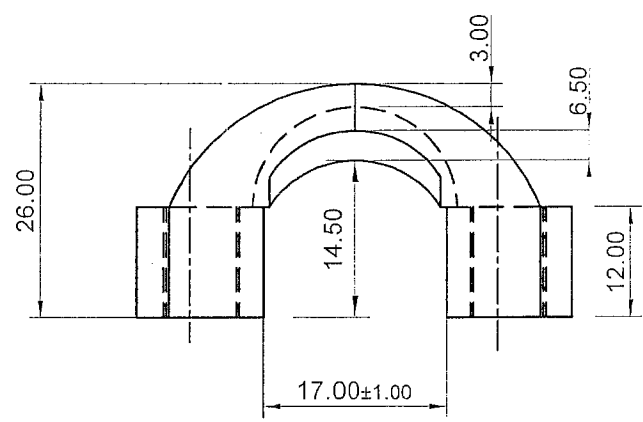
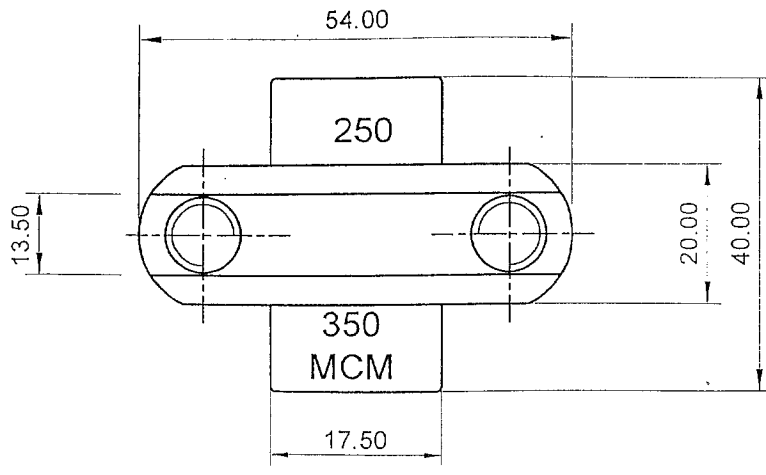
NSi Industries, LLC

TITEL - Body TC 350

SCALE - N.T.S. FINISH - Natural

All dimensions are in mm

| | NAME | DATE |
|-------------|----------|------------|
| DRAWN | SD | 09/05/2006 |
| CHECKED | KM | 09/05/2006 |
| APPROVED | KM | 09/05/2006 |
| MATERIAL | - C-956 | |
| TOLERANCE | - ±0.50 | |
| Drawing No. | - 2767/b | |



NSi Industries, LLC

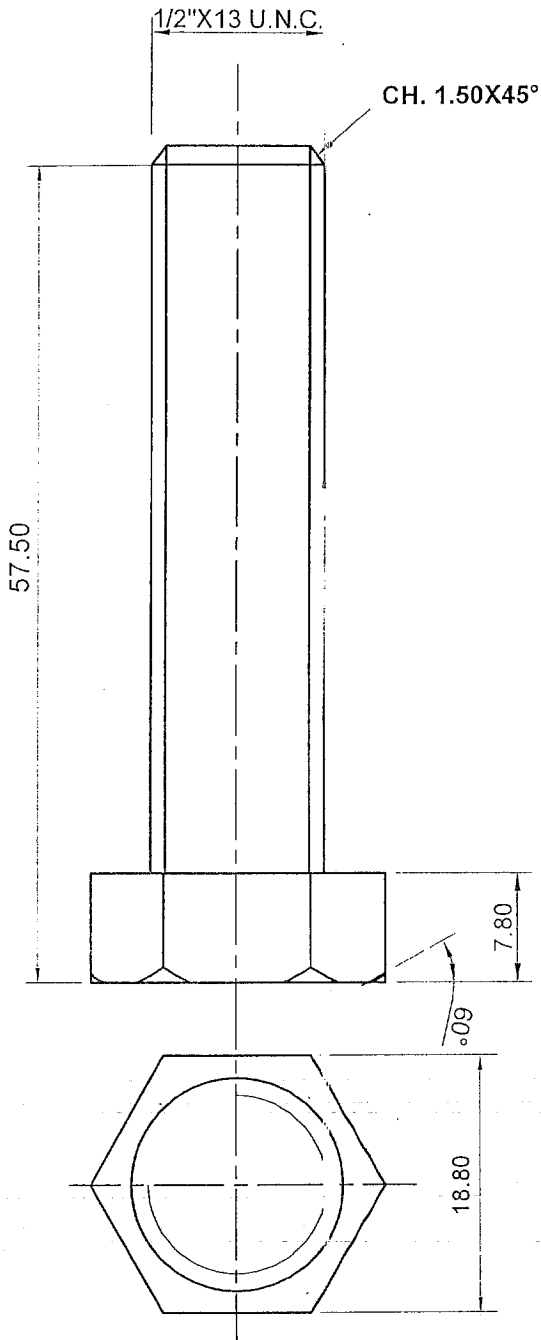
TITEL - Base TC 350

SCALE- N.T.S. FINISH- Natural

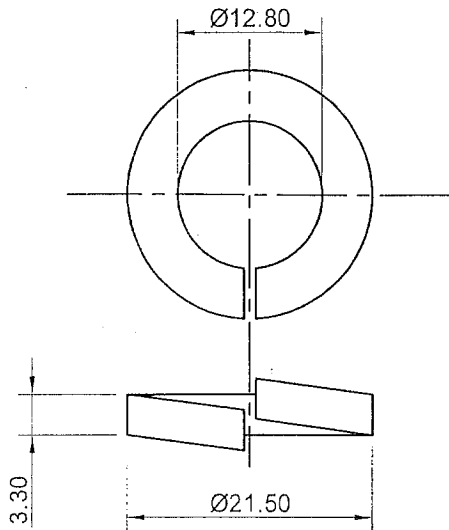
All dimensions are in mm

| | NAME | DATE |
|-------------|-----------|------------|
| DRAWN | SD | 09/05/2006 |
| CHECKED | KM | 09/05/2006 |
| APPROVED | KM | 09/05/2006 |
| MATERIAL | - C-956 | |
| TOLERANCE | - ±0.50 , | |
| Drawing No. | - 2767/c | |

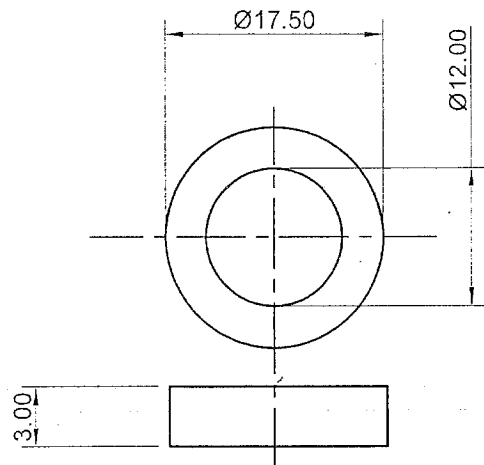
**COPPER SILICON BRONZE
BOLT "A"**



"B"



RUBBER WASHER "C"



| ITEM | MATERIAL |
|------|-----------------------|
| A | COPPER SILICON BRONZE |
| B | S.S. - 304 |
| C | NEOPRENE |

| | NAME | DATE |
|-----------|------|--------------|
| DRAWN | SD | 31/05/2006 |
| CHECKED | KM | 31/05/2006 |
| APPROVED | KM | 31/05/2006 |
| MATERIAL | - | As Per Chart |
| TOLERANCE | - | ±0.25 |



NSi Industries, LLC

TITEL - *Transformar Clamp* - (Part No:- TC 350)

SCALE - *N.T.S.* FINISH - *Natural*

All dimensions are in mm

Drawing No. - **2767/d**