

Security Lighting

65 – 150 watts MH/HPS/CFL



FEATURES

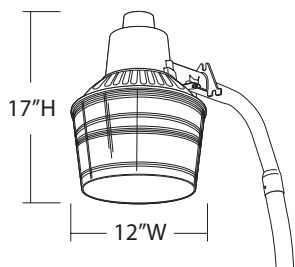
- Arm-mounted security light for yards and lots, service roads and building perimeters
- Rugged, die-cast aluminum head with photocell included
- Formed aluminum reflector and open-bottom refractor for ease of maintenance and lamp replacement
- Prismatic refractor provides uniform symmetrical Type V distribution
- Mounting arm and all mounting hardware included in carton

ORDERING INFORMATION

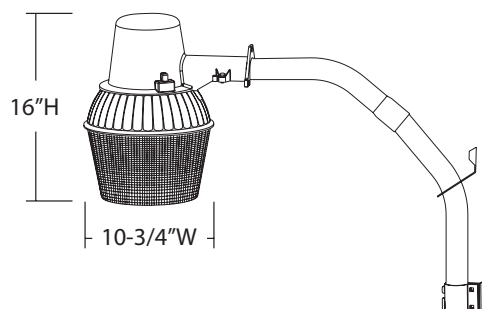
| Catalog Number | UPC | Description | Wattage | Lamp Source | Voltage | Mounting Arm Length | Lamp Included | Approximate Weight (lbs) | Pallet Qty. | Standard Carton Qty. |
|-----------------|--------------|--------------------|---------|-------------|---------|---------------------|---------------|--------------------------|-------------|----------------------|
| TDD100ML 120 M2 | 745974100140 | 12" Security Light | 100 | MH | 120 | 24" | Y | 12 | 24 | 2 |
| TDD100SL 120 M2 | 745973506189 | 12" Security Light | 100 | HPS | 120 | 24" | Y | 12 | 24 | 2 |
| TDD150SL 120 M2 | 745973506172 | 12" Security Light | 150 | HPS | 120 | 24" | Y | 12 | 24 | 2 |
| TDD65L 120 M2 | 745974487494 | 10" Security Light | 65 | Fluorescent | 120 | 18" | Y | 4 | 32 | 2 |

DIMENSIONS

TDD



TDD 65



ACCESSORIES

- CF65QT41 M24

Replacement for 65W fluorescent lamp

FLUORESCENT INDUSTRIAL DOWNLIGHTING EMERGENCY OUTDOOR