



Device Boxes, Covers & Accessories

T&B Catalog Number:

2CCG

UPC Number:

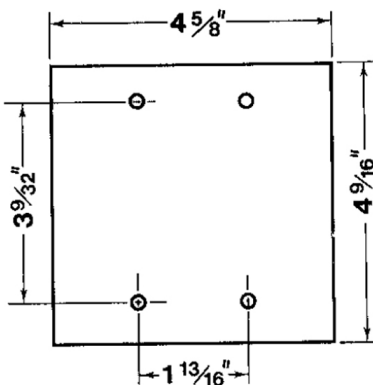
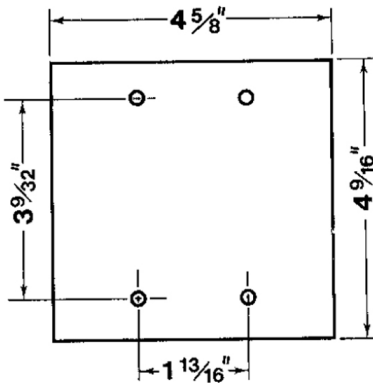
04226935057

Status:

Active

Description:

2-gang weatherproof Horizontal Mount GFCI Receptacle Box Cover - White



Features

Die Cast construction and industrial design combine to product a rugged protective enclosure for devices.

Clean cover edges provide good gasket sealing.

Precision cast and machined surfaces permit safer wire pulling.

Convenient mounting lugs for a variety of mounting methods and securely fastened mounting plates reduce costly call backs.

Application

Dry-tite boxes and covers protect wiring devices, switches, electronic components, and terminal block in Dry, Damp and Wet Locations.

Accessible wiring chamber provides a convenient location to maintain or change a system, pull conductors and make splices.

General

Material	Die Cast Aluminum
Finish	Aluminum lacquer
Color	Silver
Mounting	Device Mount
Number of Gangs	Two

Packaging

T&B Inner Pack	1
Package in Units	10
T&B Sold in UOM	Each
T&B Weight Per UOM	0.52 lbs. Each

Application Support

D-Pak Merchandising System	Available on Website
Industry Cross Reference	Available on Website

Notes

Rain tight when used with appropriate Red Dot covers.

Certifications



File Nbr:
E 28688

For further technical assistance, please contact us...

Thomas & Betts - USA
8155 T&B Blvd.
Memphis, TN 38125
www.tnb.com

T&B Technical Support
MS 3B-50
8155 T&B Blvd.
Memphis, TN 38125

Hours: 7AM - 6PM CDT
Monday-Friday
Phone: (888) 862-3289
Fax: (901) 252-1321
Email: techsupport@tnb.com