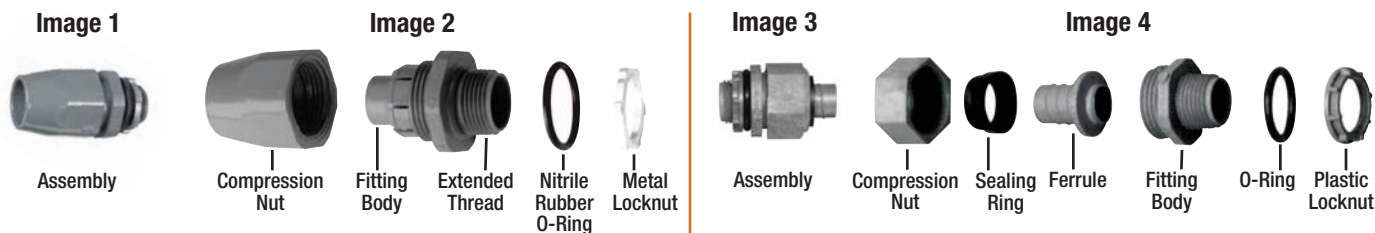


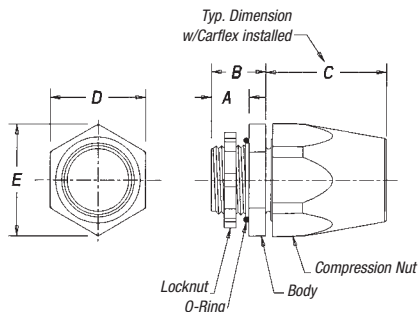
Straight Fittings

- For Use with Carflex® conduit and Carflex® X-Flex™ conduit

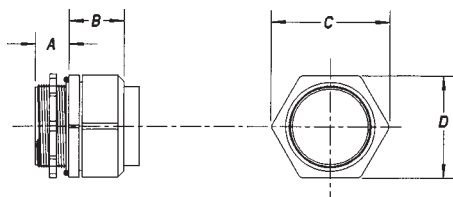


Features

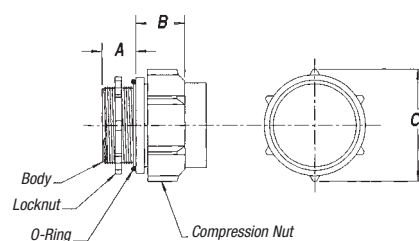
- Non-conductive and non-corrosive
- Easy to install
- Resistant to oil, acid, ozone and alkaline
- Approved for indoor and outdoor locations
- Listed for "Wet locations"
- Nitrile rubber "O" ring for a liquidtight termination
- Temperatures up to 107°C



LT43C-CAR, LT43D-NEW, LT43E-NEW, LT43F



LT43G, LT43H



LT43J

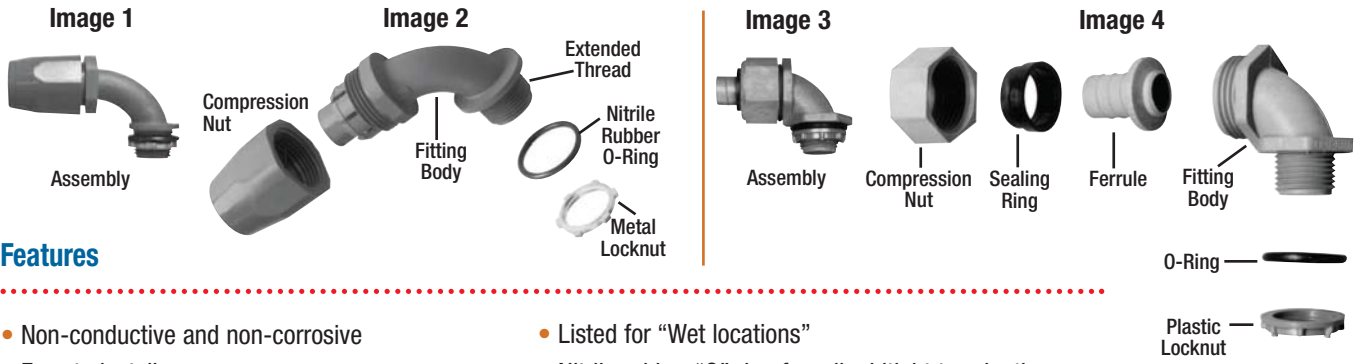
Specifications



Cat. No.	Size (in.)	Std Ctn Qty	Std Ctn Wt. (lb)	Dimensions (in.)					Refer to Image
				A	B	C	D	E	
LT43C	3/8	50	3.6	0.55	0.75	1.60	1.30	1.40	1-2
LT43D-NEW	1/2	50	4.2	0.56	0.91	1.62	1.30	1.40	1-2
LT43E-NEW	3/4	50	6.6	0.56	0.91	1.88	1.61	1.71	1-2
LT43F-NEW	1	25	5.5	0.70	1.00	2.20	1.90	2.04	1-2
LT43G	1-1/4	5	1.5	0.71	1.16	2.50	2.17	-	3-4
LT43H	1-1/2	5	2.0	0.75	1.36	2.78	2.43	-	3-4
LT43J	2	5	2.5	1.00	1.45	3.33	-	-	3-4

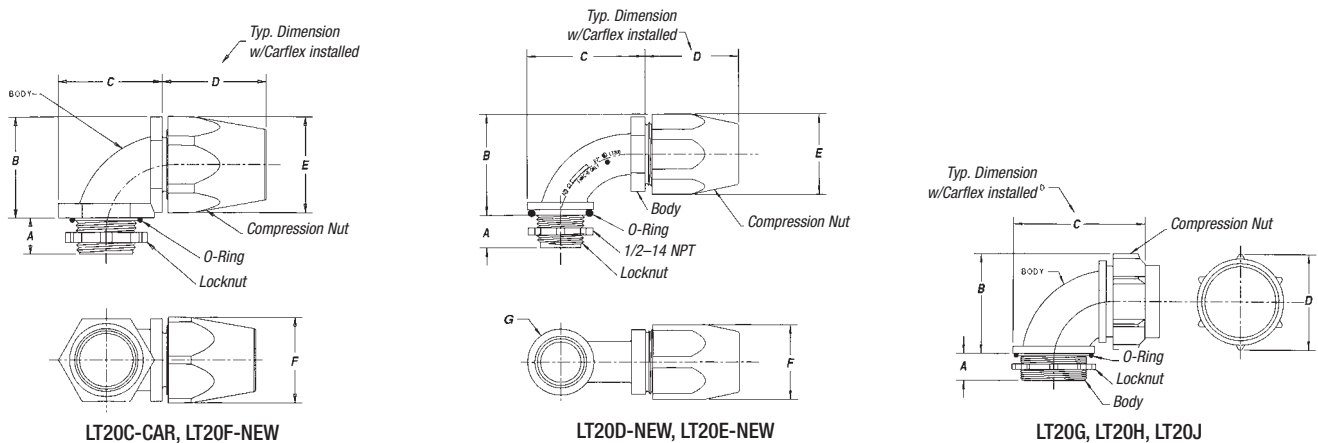
90° Fittings

- For Use with Carflex® conduit and Carflex® X-Flex™ conduit



Features

- Non-conductive and non-corrosive
- Easy to install
- Resistant to oil, acid, ozone and alkaline
- Approved for indoor and outdoor locations
- Listed for "Wet locations"
- Nitrile rubber "O" ring for a liquidtight termination
- Temperatures up to 107°C



Specifications



Cat. No.	Size (in.)	Std Ctn Qty	Std Ctn Wt. (lb)	Dimensions (in.)							Refer to Image
				A	B	C	D	E	F	G	
LT20C	3/8	50	3.6	0.56	1.44	1.44	1.56	1.39	1.26	–	1–2
LT20D-NEW	1/2	50	4.2	0.56	1.76	2.05	1.62	1.40	1.30	1.15	1–2
LT20E-NEW	3/4	50	6.6	0.56	2.04	2.35	1.88	1.71	1.61	1.50	1–2
LT20F-NEW	1	25	5.5	0.70	2.01	2.01	2.26	2.04	1.90	–	1–2
LT20G	1-1/4	5	1.5	0.75	2.50	3.55	2.48	–	–	–	3–4
LT20H	1-1/2	5	2.0	0.75	2.80	3.98	2.77	–	–	–	3–4
LT20J	2	5	2.5	0.94	3.48	4.56	3.33	–	–	–	3–4

Product Overview

Unique Design

The simple, one-piece body design of the Carflex One-Piece Liquidtight Non-metallic Fitting requires no disassembly of components for installation. The system is so strong that there is no need for a compression nut.

PVC Construction

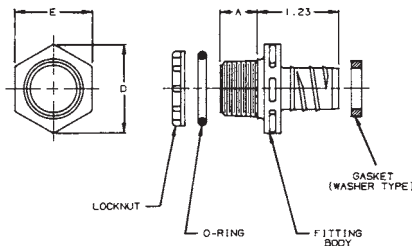
PVC construction of the fitting and locknut provides unparalleled protection from water, oil and dust. Totally non-metallic, the system is non-conductive and will not corrode or rust. Temperatures up to 60°C



Features

- Approved for indoor and outdoor locations
- Listed for "Wet Locations"

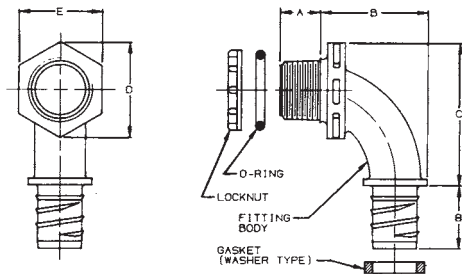
Straight Fittings



SP®
LR92248

Cat. No.	Trade Size (in.)	Std Ctn Qty	Std Ctn Wt. (lb)	Thread Size	Dimensions (in.)		
					A	D	E
LN43DA	1/2	100	2.8	14 NPT	0.56	1.34	1.19
LN43EA	3/4	50	2.2	14 NPT	0.56	1.63	1.44
LN43FA	1	25	3	11-1/2 NPT	0.69	1.99	1.75

90° Fittings



SP®
LR92248

Cat. No.	Trade Size (in.)	Std Ctn Qty	Std Ctn Wt. (lb)	Thread Size	Dimensions (in.)				
					A	B	C	D	E
LN20DA	1/2	100	4.3	14 NPT	0.56	1.50	1.99	1.34	1.19
LN20EA	3/4	50	3.1	14 NPT	0.56	1.73	2.25	1.63	1.44
LN20FA	1	25	3.2	11-1/2 NPT	0.69	1.86	2.58	1.99	1.75

Fittings Installation Instructions

LT43C-CAR, LT43F thru J, LT20C-CAR, LT20F thru J

1. Cut the end of the Carflex conduit or Carflex® X-Flex™ tubing square.
2. Install compression nut and sealing gland ring over the end of the conduit or tubing.
3. Insert the ferrule end of the fitting into the conduit using a clockwise twisting action.
4. Screw fitting body into compression nut.
5. When installation is completed, use a wrench, tighten compression nut one-quarter (1/4) turn past hand-tight. Do not over tighten fitting.

To prevent damage to conductors, conduit and fittings, do not twist Carflex during installation.

LT43D-New, LT43E-New, LT20D-New, LT20E-New

1. Cut the end of the Carflex conduit or Carflex® X-Flex™ tubing square.
2. Install compression nut over the end of the conduit or tubing.
3. Insert the ferrule end of the fitting into the conduit using a clockwise twisting action. (Be sure conduit is fully inserted to the bottom of the fitting shoulder).
4. Screw compression nut onto fitting body.
5. Use a wrench, and tighten compression nut one (1) full turn past hand-tight. Do not over tighten fitting.

To prevent damage to conductors, conduit and fittings, do not twist Carflex during installation.

Liquidtight Conduit Technical Information

1. There shall be no more than the equivalent of four (4) quarter (90°) bends (360° total) between pull points, conduit bodies, and boxes.
2. The radius of the curve of the center of the conduit or tubing shall not be less than that shown in the table below:

Size of Conduit or Tubing		Radius to Center of Conduit or Tubing	
Inches	mm	Inches	mm
3/8	14	4	101.6
1/2	16	4	101.6
3/4	21	4-1/2	114.3
1	27	5-3/4	146.0
1-1/4	35	7-1/4	184.1
1-1/2	41	8-1/4	209.5
2	53	9-1/2	241.3