

UniCode® Series Factory Sealed Control Stations and Pilot Lights

Class I, Division 2, Groups B, C, D
Class II, Groups E, F, G
Class III
Class I, Zone 2, Group IIC
Type 3, 3R, 4, 4X
IP66

Controls

CONTROLS: HAZARDOUS LOCATION CONTROL STATIONS AND SWITCHES

Applications

- For use in hazardous areas as defined by the National Electrical Code (NEC), and Canadian Electrical Code (CEC).
- For use in washdown areas and other damp, wet and highly corrosive areas.
- Push buttons and selector switches are used in conjunction with contactors or magnetic starters for remote control of motors in hazardous locations. They provide circuit control and/or selection.
- Pilot lights provide visual assurance that an electrical function is being performed at a remote or local hazardous location.
- For installation in:
 - Chemical and petrochemical plants
 - Refineries
 - Pulp and paper processing plants
 - Other industrial applications

Features

- Corrosion resistant captive stainless steel screws hold covers to body.
- Available with two types of explosion proof protection. The Labyrinth switch is rated A600 heavy pilot duty and P150.
- Durable materials and construction exceeds UL environmental requirements including impact.
- Enclosures constructed of specially formulated fiberglass reinforced thermoset polyester with low surface resistivity that will not hold a static charge.
- Wide variety of devices and options results in a control station tailor made to the application.
- Pilot light employs LED cluster with lifetime of 100,000 hours that can be used at either 120 Vac or 240 Vac.
- Optional pilot light has 12 Vac/24 Vdc ratings.
- Both the standard hub and union hub provide ground path continuity in feed-thru applications.
- Factory sealed — no external seals required.
- Optional union hub allows temporary rotation of hub for ease of installation.

Standard Materials

- Body and cover: fiberglass reinforced thermoset polyester
- Standard hub, union hub and ground plate: stainless steel and Noryl®
- UCPB push button and UCSS selector switch operators: polyester, Valox™, and stainless steel
- Screws: stainless steel
- Pilot light: glass jewel

Options

- UCPL Pilot Light is red as standard; if green is desired, add suffix **-JGBG**; if amber is desired, add suffix **-JGBA**; if blue is desired, add suffix **-JGBB**.
- Stainless steel mounting feet available, add suffix **-SSMTG**.
- For Vdc pilot light, add suffix **-DC** to catalog number (push buttons and selector switches have Vac and Vdc ratings as standard).
- Push button front operated mushroom head (maintained contact): standard color is red. Also available in green, add suffix **-NMRBMGR**; and black, add suffix **-NMRBMBL**.
- Push button front operated mushroom head (momentary contact): standard color is black. Also available in red, add suffix **-NMRBRE**; in green, add suffix **-NMRBGR**; or black, add suffix **-NMRBBL**.

► Noryl is a registered trademark of General Electric Corp.



1 Device



2 Device



3 Device



4 Device

- Standard momentary push button colors are listed next to catalog numbers for assembled control stations. To change color to red, add suffix **-PBRE**; to change color to green, add suffix **-PBGR**; to change color to black, add suffix **-PBBL**; to change color to yellow, add suffix to **-PBYL**; to change color to blue, add suffix **-PBBU**.
- Three position selector switches with modified operation: Momentary contact right position, spring return to center, maintained contact left position add suffix **-SRC**; Momentary contact left position, spring return to center, maintained contact right position add suffix **-SLC**; Momentary contact left and right positions, spring return to center add suffix **-SRL** (only available on **-345** with ALT option); Alternate contacts add suffix **-ALT**.
- For complete list of options, see Options and Accessories.

Certifications and Compliances

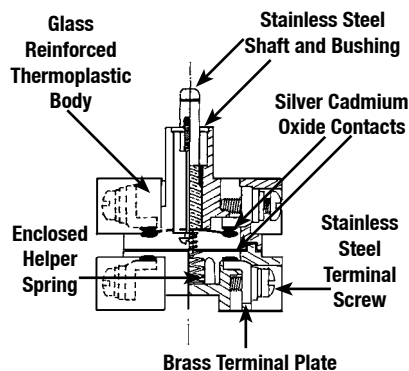
- US Standards: UL 508, UL 698, UL 1604, ISA 12.12.01
- CSA Standards: C22.2 No. 25, C22.2 No. 213-M, C22.2 No. 14-M
- cULus Listed: E10449

UniCode® Series Factory Sealed Control Stations and Pilot Lights

Class I, Division 2, Groups B, C, D
 Class II, Groups E, F, G
 Class III
 Class I, Zone 2, Group IIC
 Type 3, 3R, 4, 4X
 IP66

Illustrated Features

Labyrinth Switch Details



The standard Labyrinth switch is available with universal contacts (1 NO/1 NC). The switch is a UL recognized component and is rated for A600 heavy pilot duty (AC) and P150 (DC) as defined by UL 508. Hazardous Location ratings include Class I, Division 2, Groups B, C, D.

A600 Rating Designation

10 Amp Continuous @ 600 Vac – 7200VA (Make) 720VA (Break)

| | Make Amp | Break Amp |
|---------|----------|-----------|
| 120 Vac | 60 | 6 |
| 240 Vac | 30 | 3 |
| 480 Vac | 15 | 1.5 |
| 600 Vac | 12 | 2 |

P150 Rating Designation

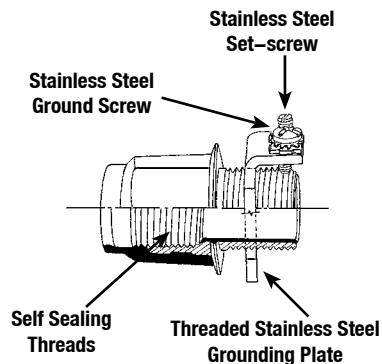
5 Amp Continuous @ 125 Vdc

138VA @ 300 Vdc

1.1 Amp @ 125 Vdc

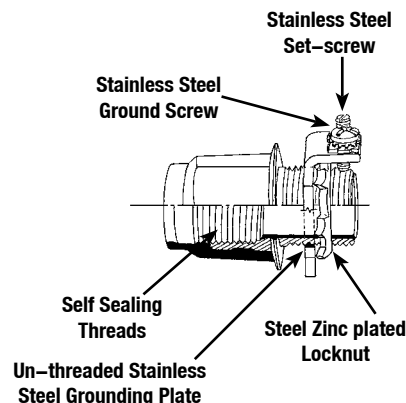
Hub Details

Two different hubs are available on the UniCode line. Both Versions exceed the UL conduit torque requirements. However, different features are offered by each:



Standard hubs are of stainless steel and Noryl® construction. Stainless steel ground plate is threaded and includes stainless steel set-screw and ground screw.

Stainless Steel/Noryl® Hub



Optional union hubs are of stainless steel and Noryl® construction. Ground plate is stainless steel and not threaded. Hub spins freely for ease of installation; then steel locknut is tightened to secure hub.

► Noryl is a registered trademark of General Electric Corp.

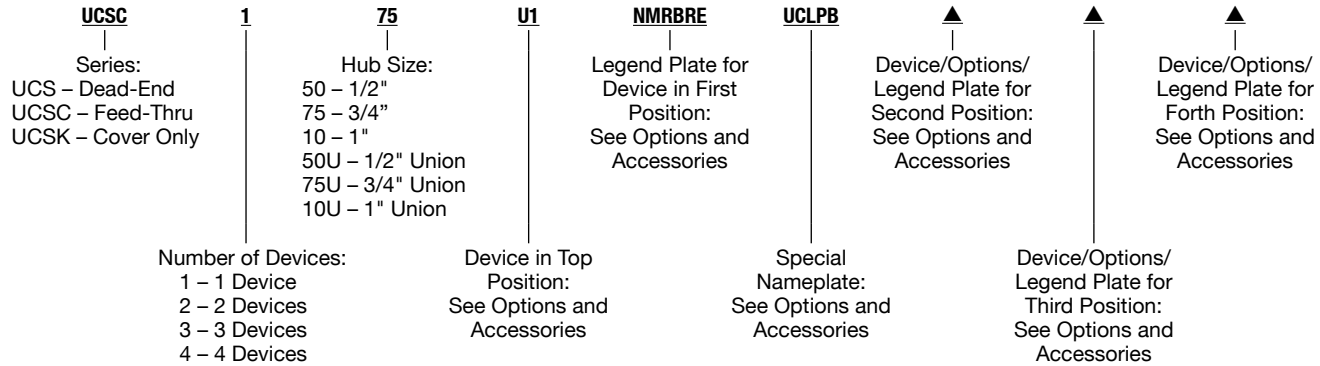
UniCode® Series Factory Sealed Control Station Configuration

Class I, Division 2, Groups B, C, D
 Class II, Groups E, F, G
 Class III
 Class I, Zone 2, Group IIC
 Type 3, 3R, 4, 4X
 IP66

Controls

CONTROLS: HAZARDOUS LOCATION CONTROL STATIONS AND SWITCHES

Catalog Numbering Guide



| Device Descriptions | Device Code |
|--|----------------|
| Momentary Push Button - 1NO/NC | U1 † |
| Momentary Push Button - 2NO/NC | UD1 |
| Maintained Push Button - 1NO/NC | UM1 |
| Maintained Push Button - 2NO/NC | UDM1 |
| Pilot Light | J1 ‡ |
| 2-POS 2-CKT Selector Switch | 12 |
| 3-POS 2-CKT Selector Switch | 102 |
| 2-POS 4-CKT Selector Switch | 35 |
| 3-POS 4-CKT Selector Switch (Labyrinth Switch Only) | 345 |
| Close-up Plug | PLG |
| Options Descriptions | Device Code |
| Amber Pilot Light | JGBA |
| Green Pilot Light | JGBG |
| Blue Pilot Light | JGBB |
| DC Rating for Pilot Light | DC |
| Red Mushroom Head - Momentary Push Button | NMRBRE |
| Green Mushroom Head - Momentary Push Button | NMRBGR |
| Black Mushroom Head - Momentary Push Button | NMRBBL |
| Black Mushroom Head - Maintained Push Button | NMRBMBL |
| Green Mushroom Head - Maintained Push Button | NMRBMGR |
| Spring Return from Right - Selector Switch (3 Position Only) | SRC |
| Spring Return from Left - Selector Switch (3 Position Only) | SLC |
| Spring Return from Right and Left - Selector Switch (3 Pos, 4 Ckt and Alt Contacts Only) | SRL |
| Alternate Contacts - Selector Switch | ALT |
| Red Momentary Push Button | PBRE |
| Green Momentary Push Button | PBGR |
| Accessories Descriptions | Accessory Code |
| Stainless Steel Mounting Feet | SSMTG |
| Mushroom Head Push Button Locking Guard | UCMPBLG |

† Momentary push buttons are black. Add –**PBRE** for red or –**PBGR** for green.
 ‡ Pilot lights are red. Add –**JGBA** for amber, –**JGBG** for green or –**JGBB** for blue.

UniCode® Series Factory Sealed Control Stations and Pilot Lights

Class I, Division 2, Groups B, C, D
 Class II, Groups E, F, G
 Class III
 Class I, Zone 2, Group IIC
 Type 3, 3R, 4, 4X
 IP66

| | Hub Size (Inches) | Description | Standard Legend Plate Marking and Device Color | Catalog Number | | |
|--|-------------------|----------------------|--|-------------------------|-----------|------------|
| | | | | Dead-End | Feed-Thru | |
| Push Buttons | | | | | | |
| Momentary Contact | | | | | | |
| | 1/2 | 1 Circuit Universal | | Start/Green | UCS150U1 | UCSC150U1 |
| | 3/4 | | | | UCS175U1 | UCSC175U1 |
| | 1 | | | | UCS110U1 | UCSC110U1 |
| | 1/2 | 2 Circuits Universal | | Start/Green Stop/Red | UCS250U2 | UCSC250U2 |
| | 3/4 | | | | UCS275U2 | UCSC275U2 |
| | 1 | | | | UCS210U2 | UCSC210U2 |
| | 1/2 | 3 Circuits Universal | | Blank/Black | UCS350U3 | UCSC350U3 |
| | 3/4 | | | | UCS375U3 | UCSC375U3 |
| | 1 | | | | UCS310U3 | UCSC310U3 |
| | 1/2 | 4 Circuits Universal | | Blank/Black | UCS450U4 | UCSC450U4 |
| | 3/4 | | | | UCS475U4 | UCSC475U4 |
| | 1 | | | | UCS410U4 | UCSC410U4 |
| Maintained Contact | | | | | | |
| | 1/2 | 1 Circuit Universal | | Emergency Stop/Red | UCS150UM1 | UCSC150UM1 |
| | 3/4 | | | | UCS175UM1 | UCSC175UM1 |
| | 1 | | | | UCS110UM1 | UCSC110UM1 |
| Pilot Lights | | | | | | |
| Pilot Light has terminals for 120 or 240 Vac — Uses 8 cluster LED | | | | | | |
| | 1/2 | 1 Pilot Light | | Blank/Red | UCS150J1 | UCSC150J1 |
| | 3/4 | | | | UCS175J1 | UCSC175J1 |
| | 1 | | | | UCS110J1 | UCSC110J1 |
| | 1/2 | 2 Pilot Lights | | Blank/Red | UCS250J2 | UCSC250J2 |
| | 3/4 | | | | UCS275J2 | UCSC275J2 |
| | 1 | | | | UCS210J2 | UCSC210J2 |
| | 1/2 | 3 Pilot Lights | | Blank/Red | UCS350J3 | UCSC350J3 |
| | 3/4 | | | | UCS375J3 | UCSC375J3 |
| | 1 | | | | UCS310J3 | UCSC310J3 |
| | 1/2 | 4 Pilot Lights | | Blank/Red | UCS450J4 | UCSC450J4 |
| | 3/4 | | | | UCS475J4 | UCSC475J4 |
| | 1 | | | | UCS410J4 | UCSC410J4 |

Controls

CONTROLS: HAZARDOUS LOCATION CONTROL STATIONS AND SWITCHES

UniCode® Series Factory Sealed Control Stations and Pilot Lights

Class I, Division 2, Groups B, C, D
 Class II, Groups E, F, G
 Class III
 Class I, Zone 2, Group IIC
 Type 3, 3R, 4, 4X
 IP66

Controls

CONTROLS: HAZARDOUS LOCATION CONTROL STATIONS AND SWITCHES

| Hub Size (Inches) | Description | Diagram | | | Standard Legend Plate Marking and Device Color | Catalog Number | |
|---|---|---------|--------|-------|--|----------------|----------------|
| | | Left | Center | Right | | Dead-End | Feed-Thru |
| Selector Switches | | | | | | | |
| 1/2 | 2 Positions, 2 Circuits | | None | | On/Off | UCS15012 | UCSC15012 |
| 3/4 | | | | | | UCS17512 | UCSC17512 |
| 1 | | | | | | UCS11012 | UCSC11012 |
| 1/2 | 2 Positions, 4 Circuits | | None | | On/Off | UCS15035 | UCSC15035 |
| 3/4 | | | | | | UCS17535 | UCSC17535 |
| 1 | | | | | | UCS11035 | UCSC11035 |
| 1/2 | 3 Positions, 2 Circuits | | None | | Hand/Off/Auto | UCS150102 | UCSC150102 |
| 3/4 | | | | | | UCS175102 | UCSC175102 |
| 1 | | | | | | UCS110102 | UCSC110102 |
| 1/2 | 3 Positions, 4 Circuits | | None | | Hand/Off/Auto | UCS150345 | UCSC150345 |
| 3/4 | | | | | | UCS175345 | UCSC175345 |
| 1 | | | | | | UCS110345 | UCSC110345 |
| 1/2 | 3 Positions, 4 Circuits, Alternate Contacts | | None | | Hand/Off/Auto | UCS150345ALT | UCSC150345ALT |
| 3/4 | | | | | | UCS175345ALT | UCSC175345ALT |
| 1 | | | | | | UCS110345ALT | UCSC110345ALT |
| Pilot Lights and Push Buttons | | | | | | | |
| 1/2 | 1 Circuit Universal and 1 Pilot Light | | None | | Pilots: Blank/Red; Push Button: Start/ Green | UCS250J1U1 | UCSC250J1U1 |
| 3/4 | | | | | | UCS275J1U1 | UCSC275J1U1 |
| 1 | | | | | | UCS210J1U1 | UCSC210J1U1 |
| 1/2 | 1 Circuit Universal and 2 Pilot Lights | | None | | Pilots: Blank/Red; Push Button: Start/ Green | UCS350J2U1 | UCSC350J2U1 |
| 3/4 | | | | | | UCS375J2U1 | UCSC375J2U1 |
| 1 | | | | | | UCS310J2U1 | UCSC310J2U1 |
| 1/2 | 2 Circuits Universal and 1 Pilot Light | | None | | Pilot: Blank/Red; Push Button: Start/ Green, Stop/Red | UCS350J1U2 | UCSC350J1U2 |
| 3/4 | | | | | | UCS375J1U2 | UCSC375J1U2 |
| 1 | | | | | | UCS310J1U2 | UCSC310J1U2 |
| 1/2 | 2 Circuits Universal and 2 Pilot Lights | | None | | Pilot: Blank/Red; Push Button: Start/ Green, Stop/Red | UCS450J2U2 | UCSC450J2U2 |
| 3/4 | | | | | | UCS475J2U2 | UCSC475J2U2 |
| 1 | | | | | | UCS410J2U2 | UCSC410J2U2 |
| Pilot Lights, Push Buttons and Selector Switches | | | | | | | |
| 1/2 | 1 Circuit Universal, 1 Pilot Light and 1 Selector Switch | | None | | Pilot: Blank/Red; Push Button: Blank/ Black; Sel. Switch: On/Off | UCS350J1U112 | UCSC350J1U112 |
| 3/4 | | | | | | UCS375J1U112 | UCSC375J1U112 |
| 1 | | | | | | UCS310J1U112 | UCSC310J1U112 |
| 1/2 | 1 Circuit Universal, 1 Pilot Light and 3 Positions, 2 Circuits, Selector Switch | | None | | Pilot: Blank/Red; Push Button: Blank/ Black; Sel. Switch: Hand/ On/Off | UCS350J1U1102 | UCSC350J1U1102 |
| 3/4 | | | | | | UCS375J1U1102 | UCSC375J1U1102 |
| 1 | | | | | | UCS310J1U1102 | UCSC310J1U1102 |

UniCode® Series Factory Sealed Control Station Accessories

Mounting Bodies Covers and Replacement Hubs

Covers Only

Covers sold separately are marked Class I, Division 2, Groups B, C, D; Class I, Zone 2, Group IIC; NEMA 3, 3R, 4, 4X only.

| | | Description | Catalog Number |
|--|--|-------------|----------------|
| | | 1 Device | UCC1 |
| | | 2 Device | UCC2 |
| | | 3 Device | UCC3 |
| | | 4 Device | UCC4 |

Replacement Hubs — For use with Threaded Metal Conduit

| | | Hub Size (Inches) | Catalog Number | |
|----------|-------|-------------------|----------------|-----------|
| Standard | Union | | Standard Hub | Union Hub |
| | | 1/2 | UCHUB50 | UCHUB50U |
| | | 3/4 | UCHUB75 | UCHUB75U |
| | | 1 | UCHUB10 | UCHUB10U |

Mounting Bodies

| | | Hub Size (Inches) | Standard Hub | | Union Hub | |
|-------------|----------------------|-------------------|--------------|----------|-----------|-----------|
| Description | Dead-End | | Feed-Thru | Dead-End | Feed-Thru | |
| | 1 Device or 2 Device | 1/2 | UCBB250 | UCBBC250 | UCBB250U | UCBBC250U |
| | | 3/4 | UCBB275 | UCBBC275 | UCBB275U | UCBBC275U |
| | | 1 | UCBB210 | UCBBC210 | UCBB210U | UCBBC210U |
| 3 Device | | 1/2 | UCBB350 | UCBBC350 | UCBB350U | UCBBC350U |
| | | 3/4 | UCBB375 | UCBBC375 | UCBB375U | UCBBC375U |
| | | 1 | UCBB310 | UCBBC310 | UCBB310U | UCBBC310U |
| 4 Device | | 1/2 | UCBB450 | UCBBC450 | UCBB450U | UCBBC450U |
| | | 3/4 | UCBB475 | UCBBC475 | UCBB475U | UCBBC475U |
| | | 1 | UCBB410 | UCBBC410 | UCBB410U | UCBBC410U |

UniCode® Series Factory Sealed Selector Switches







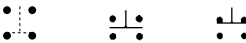


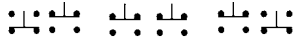

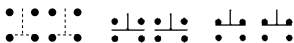

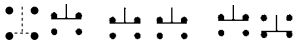

Component Parts

Class I, Division 2, Groups B, C, D
 Class II, Groups E, F, G
 Class III
 Class I, Zone 2, Group IIC

Controls

CONTROLS: HAZARDOUS LOCATION CONTROL STATIONS AND SWITCHES

Selector Switch

| | Description | Diagram | Catalog Number |
|---|--|--|----------------|
|  | 2 Position, 2 Circuit, Maintain Contact Left Position, Maintain Contact Right Position On/Off nameplate |  | UCSS12 |
|  | 2 Position, 4 Circuit, Maintain Contact Left Position, Maintain Contact Right Position On/Off nameplate |  | UCSS22 |
|  | 3 Position, 2 Circuit, Maintain Contact Left Position, Maintain Contact Right Position Hand-Off-Auto nameplate |  | UCSS13 |
|  | 3 Position, 2 Circuit, Momentary Contact Right Position, Spring Return to Center, Maintain Contact Left Position |  | UCSS13SRC |
|  | 3 Position, 2 Circuit, Momentary Contact Left Position, Spring Return to Center, Maintain Contact Right Position |  | UCSS13SLC |
|  | 3 Position, 4 Circuit Maintain Contact Left Position Maintain Contact Right Position |  | UCSS23 |
|  | 3 Position, 4 Circuit, Alternate Contacts Maintain Contact Left Position Maintain Contact Right Position |  | UCSSA23 |
|  | 3 Position, 4 Circuit Momentary Contact Right Position Spring Return to Center Maintain Contact Left Position |  | UCSS23SRC |
|  | 3 Position, 4 Circuit, Alternate Contacts, Momentary Contact Right Position, Spring Return to Center, Maintain Contact Left Position |  | UCSSA23SRC |
|  | 3 Position, 4 Circuit, Momentary Contact Left Position, Spring Return to Center, Maintain Contact Right Position |  | UCSS23SLC |
|  | 3 Position, 4 Circuit, Alternate Contacts, Momentary Contact Left Position; Spring Return to Center, Maintain Contact Right Position |  | UCSSA23SLC |
|  | 3 Position, 4 Circuit, Alternate Contacts, Momentary Contact Left Position, Spring Return to Center, Momentary Contact Right Position |  | UCSSA23SRL |

UniCode® Series Factory Sealed Push Buttons and Pilot Lights

Component Parts

Class I, Division 2, Groups B, C, D
 Class II, Groups E, F, G
 Class III
 Class I, Zone 2, Group IIC

| | Description | Catalog Number |
|---|---|----------------|
| Assembled Push Buttons | | |
|  | Momentary Black - One Labyrinth Switch | UCPB1BL |
| | Momentary Black - Two Labyrinth Switches | UCPB2BL |
| | Momentary Red - One Labyrinth Switch | UCPB1RE |
| | Momentary Red - Two Labyrinth Switches | UCPB2RE |
| | Momentary Green - One Labyrinth Switch | UCPB1GR |
| | Momentary Green - Two Labyrinth Switches | UCPB2GR |
| | Momentary Yellow - One Labyrinth Switch | UCPB1YL |
| | Momentary Yellow - Two Labyrinth Switches | UCPB2YL |
| | Momentary Blue - One Labyrinth Switch | UCPB1BU |
| | Momentary Blue - Two Labyrinth Switches | UCPB2BU |
|  | Maintained Black - One Labyrinth Switch | UCPBM1BL |
| | Maintained Black - Two Labyrinth Switches | UCPBM2BL |
| | Maintained Red - One Labyrinth Switch | UCPBM1RE |
| | Maintained Red - Two Labyrinth Switches | UCPBM2RE |
| | Maintained Green - One Labyrinth Switch | UCPBM1GR |
| | Maintained Green - Two Labyrinth Switches | UCPBM2GR |
| Sub Components For Push Buttons | | |
|  | Green Momentary Mushroom Head | UCMHGR |
| | Red Momentary Mushroom Head | UCMHRE |
| | Black Momentary Mushroom Head | UCMHBL |
| | Green Maintained Mushroom Head | UCMHMGR |
| | Red Maintained Mushroom Head | UCMHMRE |
| | Black Maintained Mushroom Head | UCMHMBL |
| | Green Cap for Momentary Push button | UCPBCAPGR |
| | Red Cap for Momentary Push button | UCPBCAPRE |
| | Black Cap for Momentary Push button | UCPBCAPBL |
| | Yellow Cap for Momentary Push button | UCPBCAPYL |
| | Blue Cap for Momentary Push button | UCPBCAPBU |
| | Pilot Lights | |
|  | Red LED Pilot Light (120/240 Vac) | UCPLR |
| | Green LED Pilot Light (120/240 Vac) | UCPLG |
| | Amber LED Pilot Light (120/240 Vac) | UCPLA |
| | Blue LED Pilot Light (120/240 Vac) | UCPLB |
| | Red LED Pilot Light (12/24 Vdc) | UCPLRDC |
| | Green LED Pilot Light (12/24 Vdc) | UCPLGDC |
| | Amber LED Pilot Light (12/24 Vdc) | UCPLADC |
| | Blue LED Pilot Light (12/24 Vdc) | UCPLBDC |

Controls

CONTROLS: HAZARDOUS LOCATION CONTROL STATIONS AND SWITCHES

UniCode® Series Actuators and Contact Blocks

Class I, Division 2, Groups B, C, D
 Class II, Groups E, F, G
 Class III
 Class I, Zone 2, Group IIC

Controls

CONTROLS: HAZARDOUS LOCATION CONTROL STATIONS AND SWITCHES

Actuators Without Contact Blocks



Selector Switch



Momentary Push Button



Maintained Mushroom Head Push Button

| Description | Catalog Number For LAB1 |
|--|-------------------------|
| 2 Position Selector Switch | UCSS2 |
| 3 Position Selector Switch | UCSS3 |
| 3 Position Selector Switch - Spring Return From Right | UCSS3SRC |
| 3 Position Selector Switch - Spring Return From Left | UCSS3SLC |
| 3 Position Selector Switch - Alternate Contacts | UCSSA3 |
| 3 Position Selector Switch - Alternate Contacts Spring, Return From Right | UCSSA3SRC |
| 3 Position Selector Switch - Alternate Contacts Spring, Return From Left | UCSSA3SLC |
| 3 Position Selector Switch - Alternate Contacts Spring, Return From Right and Left | UCSSA3SRL |
| For LAB1 Switch | Catalog Number |
| Momentary Push button - Black | UCPBBL |
| Momentary Push button - Red | UCPBRE |
| Momentary Push button - Green | UCPBGR |
| Momentary Push button - Blue | UCPBBU |
| Momentary Push button - Yellow | UCPBYL |
| Maintained Mushroom Head - Black | UCPBMBL |
| Maintained Mushroom Head - Red | UCPBMR |
| Maintained Mushroom Head - Green | UCPBMRG |
| Momentary Mushroom Head - Black | UCPBMYL |
| Momentary Mushroom Head - Red | UCPBMRE |
| Momentary Mushroom Head - Green | UCPBMGR |

Contact Block



Labyrinth Switch

Labyrinth Switch — Universal (1 NO, 1 NC)

LAB1

The Standard labyrinth switch is available with universal contacts (1 NO/1 NC). The switch is a UL recognized component and is rated for A600 heavy pilot duty (Vac) and P150 (Vdc) as defined by UL 508. Hazardous location ratings include Class I, Division 2, Groups B, C, D.

| A600 Rating Designation | Vac | Make Amp | Break Amp | P150 Rating Designation |
|-----------------------------|-----|----------|-----------|---------------------------|
| 10 Amp Continuous @ 600 Vac | 120 | 60 | 6 | 5 Amp Continuous @125 Vdc |
| 7200VA (Make) 720VA (Break) | 240 | 30 | 3 | 138VA @ 300 Vdc |
| | 480 | 15 | 1.5 | 1.1 Amp @ 125 Vdc |
| | 600 | 12 | 2 | |

Accessories



Device Wrench

UCWR1



Close-Up Plug

UCPLUG



Momentary Push Button Locking Guard
(Included as standard with push button)

UCLG1



Maintained Mushroom Head Push Button Locking Guard †
(Locks Button in Down Position)

UCMPBLG



2 Stainless Steel Mounting Feet

SSMTG

† Requires a padlock with 0.25"/6 mm hasp.

UniCode® Series Standard Legend Plate Markings and Accessories

Legend Plates

Standard legend plate markings listed below.

| Gray With Black Letters | Green With White Letters | Red With White Letters |
|--|--|--|
| For Push button and Selector Switches | For Push button and Selector Switches | For Push button and Selector Switches |
| UCLP - _____ (Add Desired Marking) | UCLPG - _____ (Add Desired Marking) | UCPLR - _____ (Add Desired Marking) |
| For Pilot Lights | For Pilot Lights | For Pilot Lights |
| UCPLP - _____ (Add Desired Marking) | UCPLPG - _____ (Add Desired Marking) | UCPLPR - _____ (Add Desired Marking) |

Standard Legend Plates

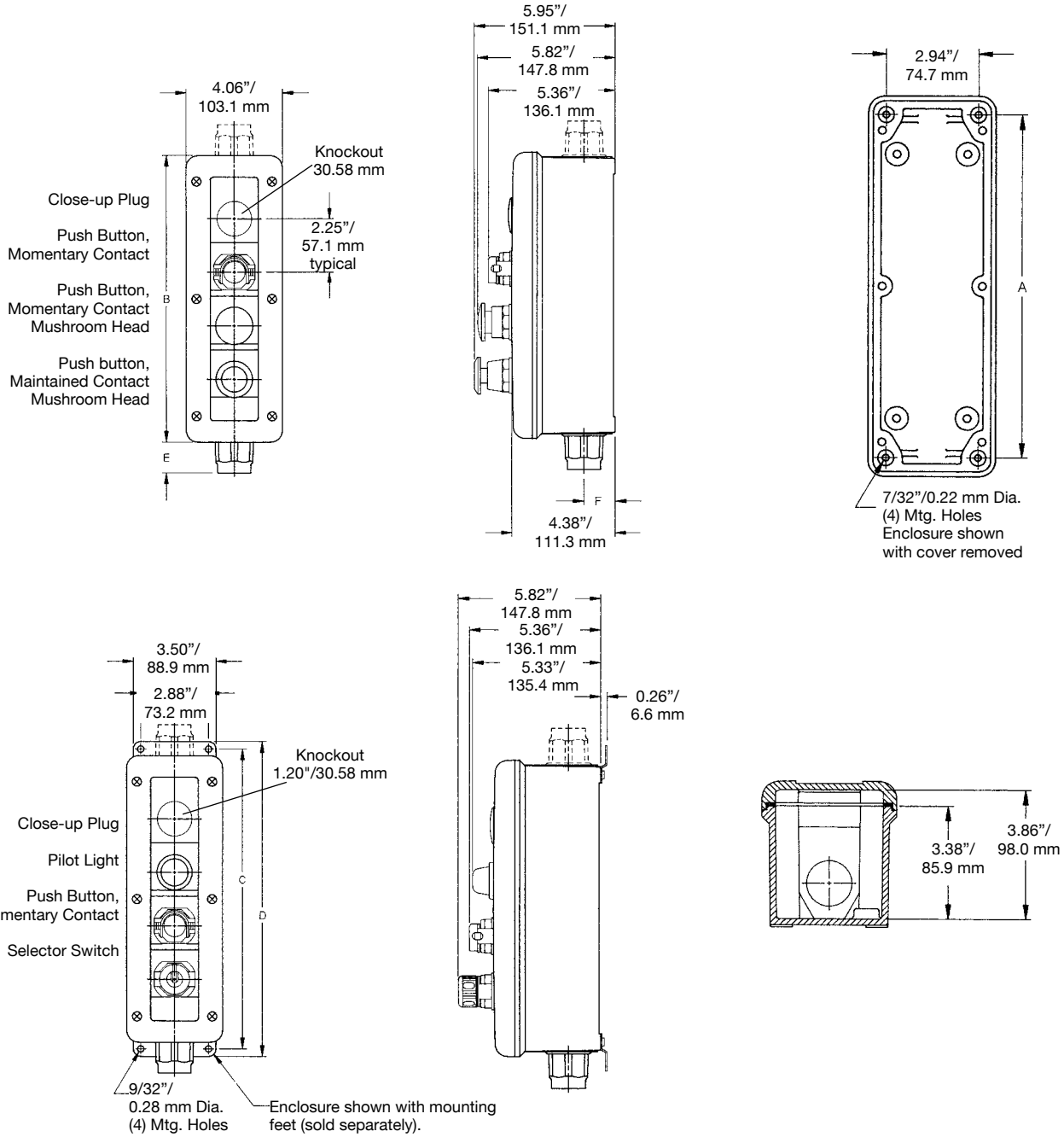
| Description | Catalog Number | Description | Catalog Number |
|---|------------------|------------------|-------------------|
| Two Position Selector Switch | | | |
| Forward—Reverse | UCLP-FR | Run—Jog | UCLP-RG |
| Hand—Auto | UCLP-HA | Off—Remote | UCLP-OR |
| On—Off | UCLP-OO | Auto—Hand | UCLP-AH |
| Start—Stop | UCLP-SS | Auto—Off | UCLP-AO |
| Local—Remote | UCLP-LR | Blank | UCLP-B |
| Up—Down | UCLP-UD | | |
| Three Position Selector Switch | | | |
| Reverse—Off—Forward | UCLP-ROF | Hand—Off—Remote | UCLP-HOR |
| Forward—Off—Reverse | UCLP-FOR | Local—Off—Remote | UCLP-LOR |
| Hand—Off—Auto | UCLP-HOA | Remote—Off—Local | UCLP-ROL |
| Auto—Off—Hand | UCLP-AOH | Auto—Off—Manual | UCLP-AOM |
| Job—Off—Run | UCLP-JOR | Open—Off—Close | UCLP-OOC |
| Run—Off—Jog | UCLP-ROJ | Test—Off—On | UCLP-TOO |
| Off—Run—Start | UCLP-ORS | 1—Off—2 | UCLP-1O2 |
| Stop—Run—Start | UCLP-SRS | Blank | UCLP-B |
| Push Buttons (Standard, Momentary and Maintained Mushroom Heads) | | | |
| Blank | UCLP-B | Fast | UCLP-FAST |
| Off | UCLP-OFF | Slow | UCLP-SLOW |
| On | UCLP-ON | Raise | UCLP-RAISE |
| Forward | UCLP-FWD | Lower | UCLP-LOWER |
| Reverse | UCLP-REV | Open | UCLP-OPEN |
| Jog | UCLP-JOG | Close | UCLP-CLOSE |
| Run | UCLP-RUN | Low | UCLP-LOW |
| Start | UCLP-ST | High | UCLP-HIGH |
| Stop | UCLP-SP | Test | UCLP-TEST |
| Up | UCLP-UP | Reset | UCLP-RESET |
| Down | UCLP-DOWN | | |
| Pilot Lights | | | |
| Blank | UCPLP-B | On | UCPLP-ON |
| Run | UCPLP-RUN | Off | UCPLP-OFF |

* Standard legend plate markings listed above.

UniCode® Series Factory Sealed Control Station Dimensions

Controls

CONTROLS: HAZARDOUS LOCATION CONTROL STATIONS AND SWITCHES



| Enclosures | Hub Size (Inches) | Dimensions in Inches/Millimeters | | | | | |
|---------------|-------------------|----------------------------------|-------------|-------------|-------------|-----------|-----------|
| | | A | B | C | D | E | F |
| 1 or 2 Device | 1/2 | 6.38/162.1 | 7.56/192.0 | 8.13/206.5 | 8.77/222.8 | 1.23/31.2 | 1.06/26.9 |
| 3-Device | 3/4 | 8.63/219.2 | 9.81/249.2 | 10.38/263.7 | 11.02/279.9 | 1.25/31.8 | 1.06/26.9 |
| 4 Device | 1 | 10.88/276.4 | 12.06/306.3 | 12.63/320.8 | 13.27/337.1 | 1.28/32.5 | 1.31/33.3 |