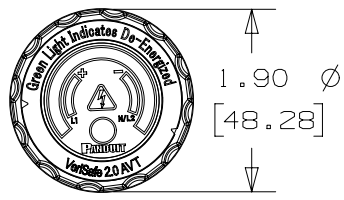


3 PHASE INDICATOR

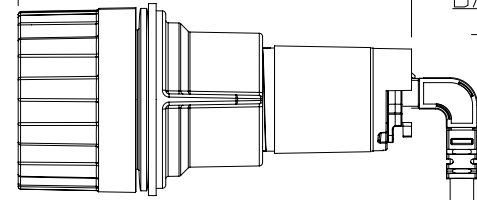


SINGLE PHASE INDICATOR



1.44 [36.50] 2.66 [67.57]

BATTERY POWERED INDICATOR



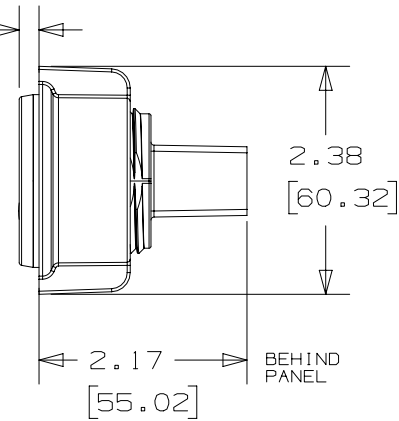
0.21 [5.25]

BATTERY-FREE INDICATOR (ONLY SINGLE PHASE IS SHOWN)

BATTERY-FREE INDICATOR



1.76 Ø [44.63]



VS2 SYSTEM CABLE

NOTES:

1. Mount for #4 or #6 Pan Head Screw, 3 Places, Min.
2. DIN Rail Mounting Feature
3. Lead Wires, QTY 6 or 8 - 14 AWG (2.08mm²)
4. Mating Connector Included. (VS2-NET connection if used)

READ PRODUCT INSTRUCTIONS BEFORE USING

PANDUIT PART NUMBER:

PART NUMBER	FOR USE IN	INDICATOR MODULE	SYSTEM CABLE LENGTH	CARTON WEIGHT
VS2-AVT-3PB-02	3 PHASE AC SYSTEMS	BATTERY POWERED	2 FT. (.6m)	4 lbs (1.82kg)
VS2-AVT-3PB-08			8 FT (2.4m)	4.2 lbs (1.91kg)
VS2-AVT-3PB-16			16 FT. (4.8m)	4.5 lbs (2.05 kg)
VS2-AVT-3PF-02		BATTERY FREE	2 FT. (.6m)	3.9 lbs (1.78kg)
VS2-AVT-3PF-08			8 FT (2.4m)	4.2 lbs (1.91kg)
VS2-AVT-3PF-16			16 FT. (4.8m)	4.4 lbs (2 kg)
VS2-AVT-1PB-02	1 PHASE OR DC SYSTEMS	BATTERY POWERED	2 FT. (.6m)	4 lbs (1.82kg)
VS2-AVT-1PB-08			8 FT (2.4m)	4.2 lbs (1.91kg)
VS2-AVT-1PB-16			16 FT. (4.8m)	4.4 lbs (2 kg)
VS2-AVT-1PF-02		BATTERY FREE	2 FT. (.6m)	3.9 lbs (1.78kg)
VS2-AVT-1PF-08			8 FT (2.4m)	4.2 lbs (1.91kg)
VS2-AVT-1PF-16			16 FT. (4.8m)	4.4 lbs (2 kg)

GENERAL SPECIFICATIONS:

Voltage detection Range: Up to 1000VAC (50/60Hz), 1000VDC
Overvoltage Category: CAT III (1000V); CAT IV (600V)
Degree of Protection: Type (UL, NEMA, CSA) 1, 12,4, 4X, 13, IP66, IP67, IP69**

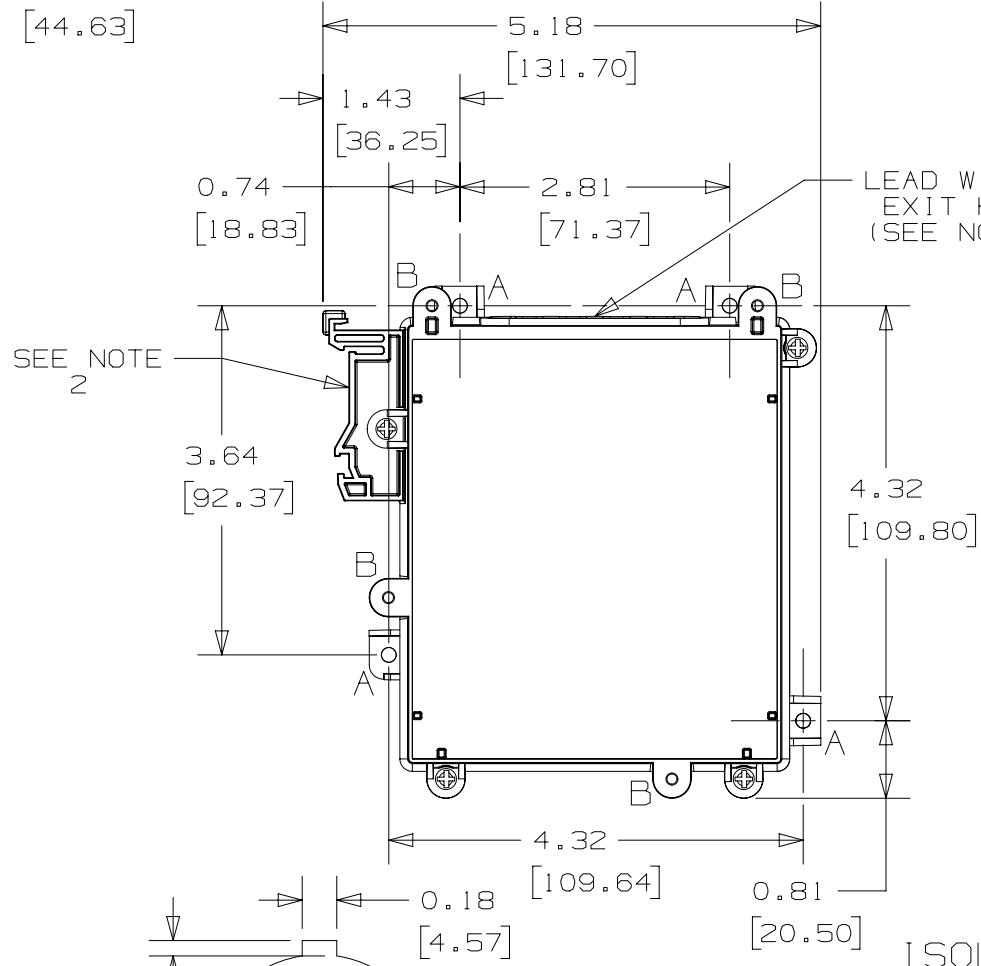
Environmental

Operating Temperature: -25°C to +60°C (-13°F to 140°F)
Storage Temperature: -45°C to +85°C (-49°F to +185°F)
Humidity: 5 to 90% non-condensing; Rated 80% at 40°C, decreasing linearly to 50% at 60°C
Pollution Degree: 3
Altitude: Up to 5000 meters

Power Requirements:

Battery: 3.6V Lithium Battery
DC Power: 12-24VDC, 43mA @ 24V
PoE*: PoE (10/100), 15mA**

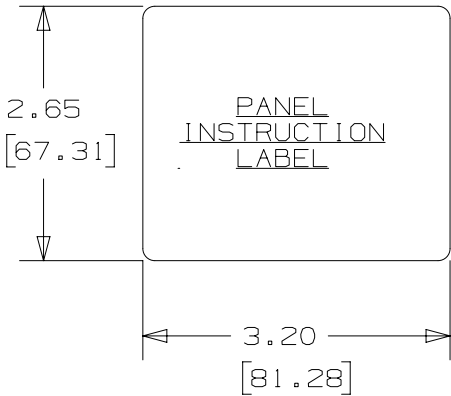
***Degree of Protection Specified is related to Indicator Module only.**
****Battery - Free Indicator module only**
*****VS2-NET is required to use PoE**



LEAD WIRES EXIT HERE (SEE NOTE 3)

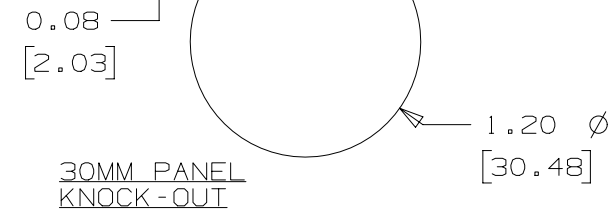
1.68 [42.57]

INDICATOR MODULE (SYSTEM CABLES)
 ABSENCE OF VOLTAGE OUTPUTS
 DC POWER IN (OPT.) (SEE NOTE 4)



ISOLATION MODULE

UNIT MOUNTING LOCATIONS MARKED 'A' (SEE NOTE 1)
 VS2-NET ATTACHMENT POINTS MARKED 'B'



REV	DATE	BY	CHK	APR	DESCRIPTION	ECN
0	4/1/22	DFA	STMP	MSAD	INITIAL RELEASE	GAECN06496

TITLE VERISAFE 2.0 ABSENCE OF VOLTAGE TESTER					
CUSTOMER DRAWING					
ITEM REVISION NAME 18I216AX/01			PANDUIT		
DATASET FILE NAME 18I216AX_DC/00					
UNLESS OTHERWISE SPECIFIED, DIMENSIONAL TOLERANCES ARE: IN [mm]					
.x ± .03 [.75]		.xxx ± .010 [.25]		MATERIAL: N/A	
.xx ± .02 [.50]		ANGLES ± 5 °		DRAWING NUMBER: 18I216AX_DC	
DRAWN BY DFA			DATE 4/1/22	CHK MSAD	SCALE NONE
SHT 1 OF 1			SIZE B		