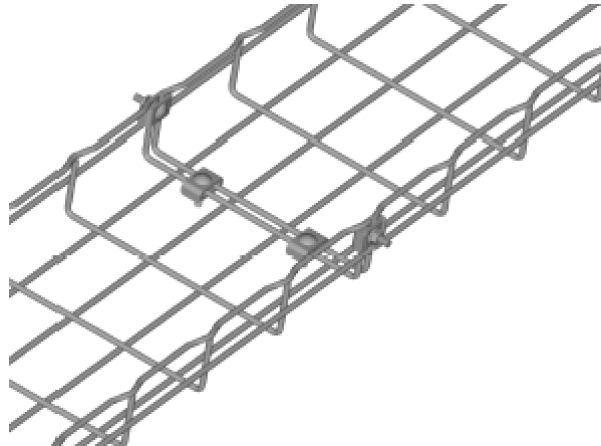
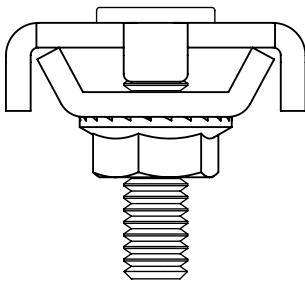


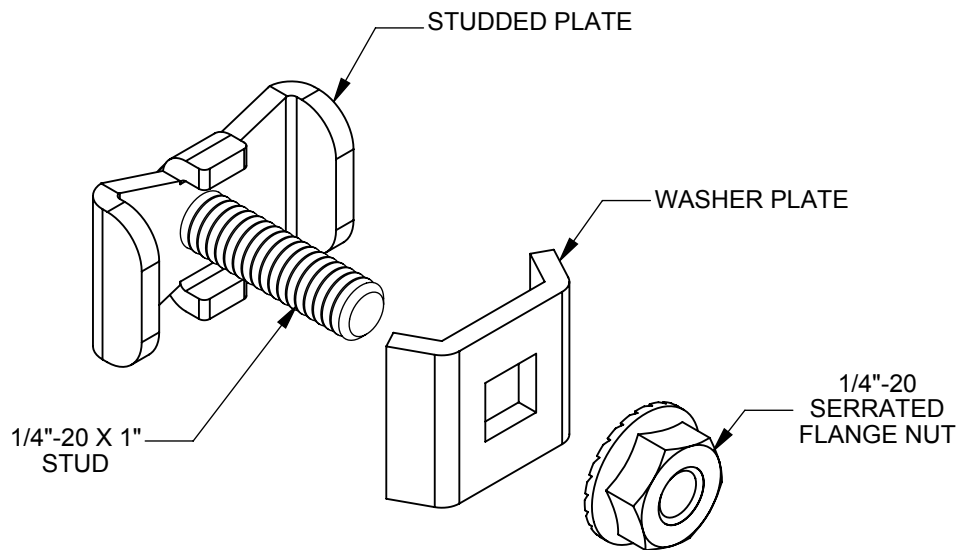
- PART NUMBER: WASHER SPL KIT.
- UNIVERSAL BOLTED CONNECTOR.
- MATERIAL FINISH:
ELECTROPLATED ZINC
BLACK ZINC
316 STAINLESS STEEL



INSTALLED VIEW
(BASKET NOT INCLUDED)



TOP VIEW



THIS DRAWING AND/OR THE TECHNICAL INFORMATION CONTAINED HEREON IS THE PROPERTY OF COOPER B-LINE, INC. ("B-LINE"), AND IS ISSUED IN CONFIDENCE FOR B-LINE ENGINEERING PURPOSES ONLY AND MAY NOT BE REPRODUCED OR USED FOR ANY PURPOSE WHATSOEVER WITHOUT THE EXPRESS WRITTEN PERMISSION OF B-LINE TO THE USER. THIS DRAWING AND/OR TECHNICAL INFORMATION IS THE PROPERTY OF B-LINE AND IS LOANED FOR MUTUAL ASSISTANCE. TO BE RETURNED WHEN ITS INTENDED PURPOSE HAS BEEN SERVED.



509 W. Monroe Street
Highland, IL 62249
Phone (618) 654-2184
FAX (618) 654-5499

www.cooperbline.com

SUBMITTAL DRAWING

TITLE:

WASHER SPL KIT
FLEXTRAY WASHER SPLICE KIT

EQUIPMENT FURNISHED HAS BEEN FABRICATED IN ACCORDANCE WITH THIS DRAWING.

REFERENCE DWG(S):

SUBMITTAL NO:

S00015596

DRAWN BY:

DF

REV:

A

DATE:

06/12/08

MODEL SOURCE FILE:

00015596

REV:

00

SHEET:

1 OF 1