

# DT-300

## 360° Dual Technology • Low Voltage Occupancy Sensor

with Light Level, Isolated Relay and Manual On features



### Specifications

Voltage	. . . . .	18-28VDC/VAC, half wave rectified AC
Current Consumption	. . . . .	.43mA
Power Supply	. . . . .	The Watt Stopper Power Packs
Isolated Relay Rating	. . . . .	.1A @30VDC/VAC
Operating Temperature	. . . . .	.32° to 131°F (0° to 55°C)
Light Level One-Step Adjustment	. . . . .	.10FC–300FC
Time Delay Adjustment	. . . . .	.5 to 30 minutes
Walk-Through Mode	. . . . .	.3 minutes if no activity after 30 sec.
Test Mode	. . . . .	.5 sec. upon intial power-up or DIP switch reset
PIR Coverage (Typical)	. . . . .	.1200 ft <sup>2</sup>
Sensitivity Adjustment	. . . . .	.Automatic or Low (DIP switch setting)
Ultrasonic Coverage (Typical)	. . . . .	.800-1200 ft <sup>2</sup>
Sensitivity Adjustment	. . . . .	.Minimum to Maximum (trimpot)
Frequency	. . . . .	.40kHz



U.S. Patents: 4,787,722  
5,189,393  
and Patent Pending

Installation Instructions

## UNIT DESCRIPTION

The Watt Stopper DT-300 360° Dual Technology occupancy sensors combine advanced passive infrared (PIR) and ultrasonic technologies into one unit. The combination of these technologies helps to eliminate false triggering problems even in difficult applications.

The DT-300 turns lighting systems on and off based on occupancy and ambient light levels. The light level feature can be used to keep lights from turning on if the ambient light level is sufficient.

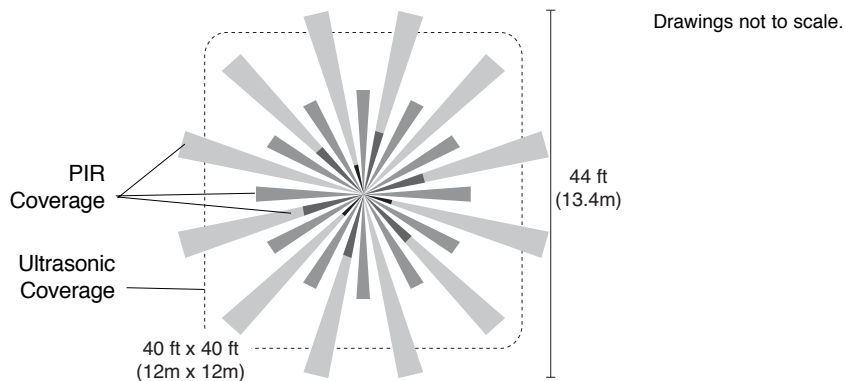
SmartSet™ technology allows the sensor to be installed with minimal adjustments. SmartSet automatically adjusts the time delay and PIR sensitivity to usage patterns in the controlled space.

The DT-300 provides numerous operating modes that can be combined to create the ideal custom control. The sensors can be configured to turn lighting on, and hold it on as long as either or both technologies detect occupancy. After no movement is detected for a user specified or SmartSet time (5 to 30 minutes) the lights are switched off. A “walk-through” mode can turn lights off after only 3 minutes, if no activity is detected after 30 seconds of an occupancy detection.

The DT-300 operates on 24V supplied by The Watt Stopper Power Packs. DT-300 sensors also have an isolated relay with Normally Open and Normally Closed contacts for interfacing with HVAC or EMS.

## COVERAGE PATTERN

The DT-300 provides a 360° coverage pattern. The coverage shown represents walking motion at a mounting height of 10 feet. For building spaces with lower levels of activity or with obstacles and barriers, coverage size may decrease.



**Call 800.879.8585 or 972.578.1699 for Technical Support**

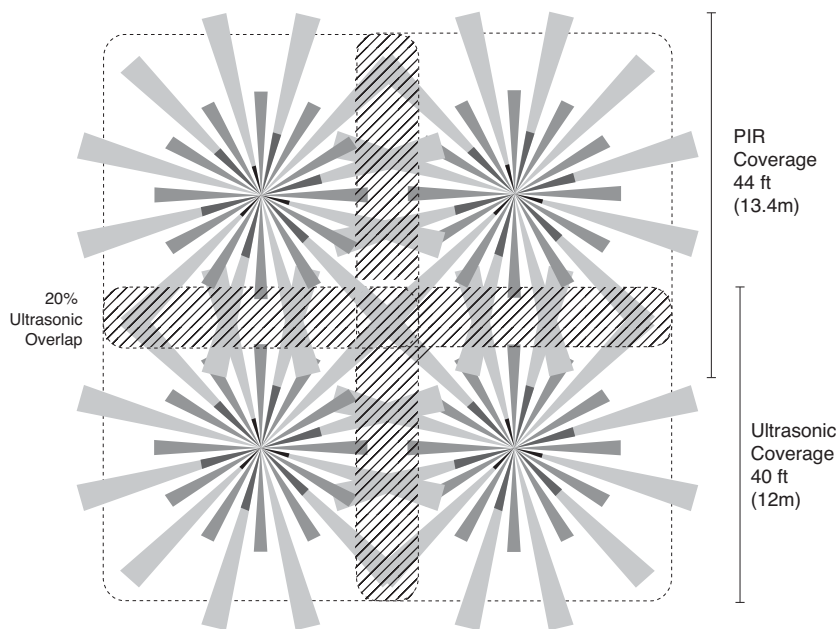
## PLACEMENT GUIDELINES

Depending upon obstacles such as furniture or partitions, the area of coverage may be less or more than the sensing distances shown in the coverage pattern. This must be considered when planning the number of sensors and their placement. It is also recommended to place the sensor 4 to 6 feet away from air supply ducts.

Mount the sensor to the ceiling. The DT-300 is designed for a ceiling height of about 8-10 feet. Mounting above or below this range will significantly affect the coverage patterns. As a general rule, each occupant should be able to clearly view the sensor.

**Masking the PIR Lens:** Opaque adhesive tape is supplied so that sections of the PIR lens can be masked. This restricts the sensor's view and allows you to eliminate PIR coverage in unwanted areas such as hallways outside of the desired coverage area. Since masking removes bands of coverage, remember to take this into account when troubleshooting coverage problems. The Ultrasonic coverage cannot be masked, but you can adjust its sensitivity to reduce the coverage area.

**Open Office Area Coverage:** To get complete coverage in an open office area, install multiple sensors so that there is approximately 20% overlap with each adjacent sensor's ultrasonic coverage area.



Visit our website for FAQs: [www.wattstopper.com](http://www.wattstopper.com)

## WIRING DIRECTIONS



### TURN POWER OFF AT THE CIRCUIT BREAKER BEFORE INSTALLING POWER PACKS OR SENSORS.

Each Watt Stopper B series power pack can supply power for up to 2 DT-300 sensors. Each Watt Stopper BZ series power pack can supply power for 3 DT-300 sensors. When using more sensors than this, multiple power packs are required.

Refer to the wiring diagram on the next page for the following procedures:

Connect the **low voltage**:

- RED wire (+24VDC) from power pack to the **+24V** terminal on the sensor.
- BLACK wire (Return) from power pack to **Common** terminal on the sensor.

Wiring a **SINGLE LIGHTING LOAD CONTROLLED BY OCCUPANCY**— connect:

- BLUE wire from power pack to Control Out terminal on sensor.

Wiring a **SINGLE LIGHTING LOAD CONTROLLED BY OCCUPANCY, DEPENDENT ON LIGHT LEVEL (AMBIENT LIGHT)**— connect:

- BLUE wire from power pack to Light Level terminal on sensor.

Wiring **ONE LIGHTING LOAD FOR OCCUPANCY CONTROL, AND A SECOND LOAD FOR OCCUPANCY AND LIGHT LEVEL (AMBIENT LIGHT) CONTROL**— connect:

- BLUE wire from power pack to Control Out terminal on sensor.
- BLUE wire from Auxiliary Relay pack to Light Level terminal on sensor.
- BLACK wire from Auxiliary Relay pack to Common terminal on sensor.

To add a **MANUAL SWITCH** such as the LVS-1 Momentary Toggle Switch, or RS2-3 Low Voltage Momentary Switch to the above applications— connect:

- Wire from one side of switch to Common terminal on sensor.
- Wire from other side of switch to Man Switch terminal on sensor.

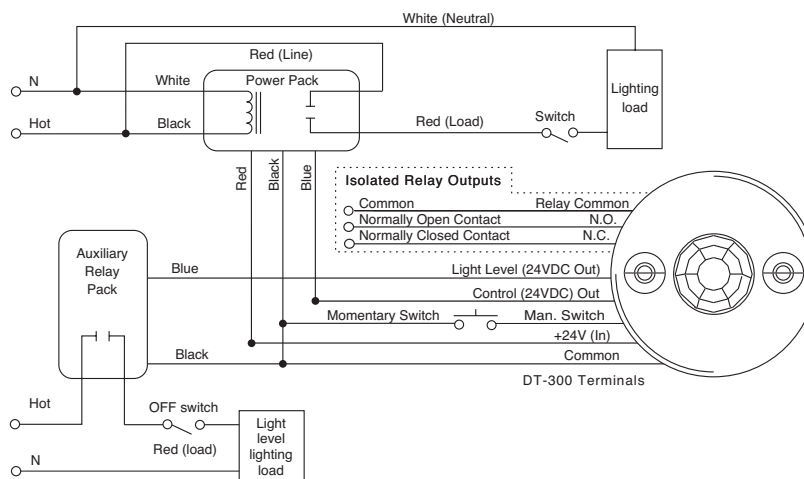
Wiring the **ISOLATED RELAY**: (The Isolated Relay is rated for 1A@30VAC/VDC)

Connect the wires necessary to the application that requires this output:

- Relay Common (must be used for proper operation)
- N.O. (Normally Open)—Closed when occupancy is detected
- N.C. (Normally Closed)—Open when occupancy is detected

Visit our website for FAQs: [www.wattstopper.com](http://www.wattstopper.com)

## Occupancy and Light Level Controlled Lighting



## LIGHT LEVEL FEATURE

The Light Level feature holds lights off upon initial occupancy if adequate ambient light exists. It will not turn the lights off if they are on. The default setting is for maximum, meaning that even the brightest ambient light will not hold the lights off. When the light level is set it is written to memory so that in the event of a power failure the setting is not lost.

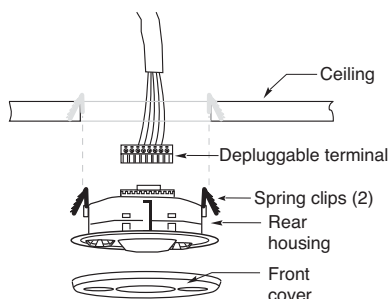
- Avoid mounting the sensor close to lighting fixtures.
  - Adjust during daylight hours when ambient light in the area is at desired level.
1. Open the Front Cover and locate the Light Level pushbutton. See Sensor Adjustment.
  2. Momentarily press the Light Level pushbutton. *Do not exceed 4 seconds.* \*  
The sensor enters setup mode, as indicated by the rapidly flashing Red LED. The LED will flash throughout the setup process. Occupancy indications from the LEDs are disabled during setup.
  3. Move away from the sensor to avoid interference with light level detection. The sensor measures the light level for a 25-second period, then averages the readings and automatically sets the light level function.
  4. When the Red LED stops flashing, replace the Front Cover.
- \* Pressing the pushbutton for 5 seconds or more resets the light level to the default. The Green LED flashes rapidly for 10 seconds after the setting has changed.

**Call 800.879.8585 or 972.578.1699 for Technical Support**

## MOUNTING THE SENSOR

### Directly to Ceiling

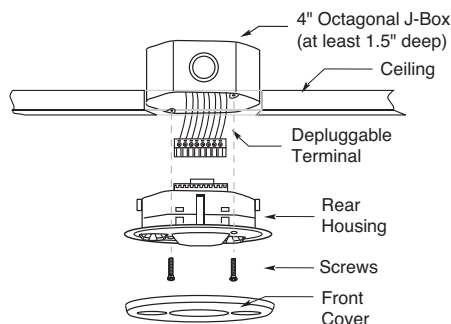
1. Attach the plastic spring clips to the edge of the sensor in the slots provided.
2. Cut a 3.5" to 4" round hole in the acoustic ceiling tile at the mounting location. A 3.5" hole is recommended for a secure fit.
3. Pull the low voltage wire from the power pack to the sensor through the hole.
4. Connect the low voltage wires to the appropriate terminals on the sensor.
5. Push the sensor up through the hole until the Spring Clips hold the sensor securely in place.
6. Snap the front cover onto the sensor.



**Ceiling Mount**

### Using an Octagonal J-Box

1. Pull the low voltage wires from the power pack into the J-Box through the conduit knockout.
2. Connect the low voltage wires to the appropriate terminals on the sensor.
3. Loosen the appliance mounting screws attached to the J-Box
4. Align the sensor in the J-Box so that the mounting screws on the box match the key holes on the sensor's rear housing.
5. Push the sensor up into the J-Box and twist it so that the mounting screws are seated in the keyhole slots.
6. Tighten the two screws to secure the sensor to the J-Box.
7. Snap the front cover onto the sensor.



**J-Box Mount**

**Call 800.879.8585 or 972.578.1699 for Technical Support**

## SENSOR ADJUSTMENT

The sensors are factory preset to allow for quick installation in most applications. Verification of proper wiring or coverage, or customizing the sensor's settings can be done using the following procedures. To make adjustments, open the Front Cover with a small screwdriver.

**There is a 30 second warm-up period when power is first applied.**

Before making adjustments, make sure the office furniture is installed, lighting circuits are turned on, and the HVAC systems are in the overridden/on position. VAV systems should be set to their highest airflow. Set the Logic Configuration

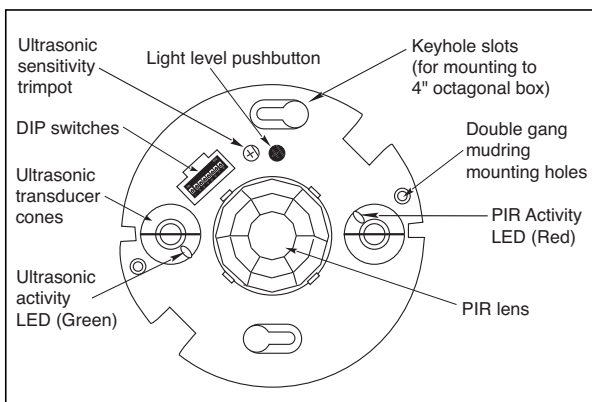
and Time Delay to the desired settings. See "Logic Configuration Chart", next page.

### To Test Occupancy Sensors

1. Ensure the PIR and Ultrasonic Activity LEDs are enabled (DIP switch 7 ON) and PIR Sensitivity is set to MAX (DIP switch #8 ON).
2. Ensure the Time Delay is set for **Test Mode\*** using the "5 seconds/SmartSet" setting. (DIP switches 4, 5, & 6 are OFF).
3. Ensure that the Light Level is at default (maximum). See the Light Level Feature section of this document for instructions.
4. Ensure that the Ultrasonic Sensitivity trimpot is set to about 90%, clockwise.
5. Remain still. The red and green LEDs should not flash. The lights should turn off after 5 seconds. (If not, see "Troubleshooting.")
6. Move about the coverage area. The lights should come on. Adjust the Ultrasonic Sensitivity as necessary to provide the desired coverage (Green LED indicates activation from the ultrasonic sensor).

When testing and adjustment is complete, reset DIP Switches and Light Level to the desired settings, and replace the cover on the sensor.

- \* If you need to invoke the **Test Mode** and the DIP switches are already set for 5 seconds/SmartSet, toggle DIP switch #5 ON then back to the OFF position. This provides a 5 minute test period. During the test period, the Time Delay is only 5 seconds.



**Call 800.879.8585 or 972.578.1699 for Technical Support**

## DIP SWITCHES

## Logic Configuration Chart

### Occupancy Logic: Switches 1, 2, 3

The DT-300 has 8 logic configurations for occupancy triggers. Determine the appropriate Occupancy Logic Option using the Trigger matrix, then set the DIP switches accordingly.

**Initial Occupancy:** The method that activates a change from “Standby” (area unoccupied and loads are off) to “Occupied” (area occupied and loads are on).

- **Both** requires motion detection by the PIR *and* the Ultrasonic.
- **Either** requires motion detection by only one technology.
- **PIR** requires motion detection by the PIR.
- **Ultra** requires motion detection by the Ultrasonic.
- **Man.** requires activation of the Manual Switch. (See “Manual On Functions” for further information.)

**Maintain Occupancy:** The method indicating that the area is still occupied and the lights should remain on.

**Re-trigger:** After the time delay elapses and the lights turn off, detection by the selected technology within the number of seconds indicated turns the lights back on.

### Time Delay: Switches 4, 5, 6

The sensor will hold the lights on as long as occupancy is detected. The time delay countdown starts when no motion is detected. After no motion is detected for the length of the time delay, the sensor will turn the lights off. The sensor can select the time delay using SmartSet, or you can select a fixed time delay.

- SmartSet records occupancy patterns and uses this history to choose an optimal time delay from 5 to 30 minutes. SmartSet behavior starts immediately and is refined continually as history is collected.

⤴ Walk-through mode turns the lights off three minutes after the area is initially occupied, if no motion is detected after the first 30 seconds. If motion continues beyond the first 30 seconds, the selected time delay applies.

Occupancy Logic	Trigger	Initial Occupancy	Maintain Occupancy	Re-trigger (seconds duration)
		Standard	Both	Either
Option 1	Either	Either	Either(5)	
Option 2	PIR	Either	Either(5)	
Option 3	Both	Both	Both(5)	
Option 4	PIR	PIR	PIR(5)	
Option 5	Ultra	Ultra	Ultra(5)	
Option 6	Man.	Either	Either(30)	
Option 7	Man.	Both	Both(30)	

◀ = Factory Setting

● = ON

- = OFF

Occupancy Logic	Switch #		
	1	2	3
Standard	-	-	-
Option 1	●	-	-
Option 2	-	●	-
Option 3	●	●	-
Option 4	-	-	●
Option 5	●	-	●
Option 6	-	●	●
Option 7	●	●	●

Time Delay	4	5	6
5 sec/SmartSet ⤴	-	-	-
5 minutes	-	-	●
10 min. ⤴	-	●	-
10 minutes	-	●	●
15 min. ⤴	●	-	-
15 minutes	●	-	●
20 minutes	●	●	-
30 min. ⤴	●	●	●

⤴ = walk-through mode

LEDs	7
Disabled	-
Enabled	● ◀

PIR Sensitivity	8
Minimum	-
Max./SmartSet	● ◀

Visit our website for FAQs: [www.wattstopper.com](http://www.wattstopper.com)



### **LEDs: Switch 7**

When enabled, the red PIR and green Ultrasonic Activity LEDs on the sensor will light when the associated technology detects motion.

### **PIR Sensitivity: Switch 8**

- Minimum forces a reduced detection range for the PIR.
- Max./SmartSet causes the DT-300 to monitor the controlled environment and automatically select the maximum sensitivity that will provide reliable operation without false detection. This setting is constantly updated.

## **MANUAL ON FUNCTION**

The Manual ON function is facilitated by installing a momentary switch such as The Watt Stopper LVS-1 Momentary Toggle Switch, or RS2-3 Low Voltage Momentary Switch. This switch connects to the sensor's Manual (Man.) Switch and Common terminals as shown in the wiring diagram. Each time the switch is pressed, the load changes state. The sensor's operation as related to the manually operated switch is determined by DIP switch settings for Occupancy Logic.

**Manual Mode** (Trigger Option 6 or 7): In this mode, the switch **is required** to turn on the load. The sensor is then used to keep the load on, based on occupant activity. After the time delay ends the manual switch must be used to turn the load on, if there is no movement detected within the 30 second re-trigger period.

**Automatic Mode** (any Trigger Option except 6 or 7): These options use occupancy triggers as well as switch activation to turn the load ON. A manual switch provides the following additional functionality:

- a. The load can be turned ON by manual switch activation and it stays on according to the occupancy logic setting. The sensor time delay operates as programmed. When the load turns OFF due to lack of occupancy detection, the load can be turned ON again by occupancy detection or switch activation.
- b. Activating the manual switch while the load is ON turns the load OFF.
  - When the load is turned OFF manually, as long as the sensor continues to detect occupancy the load stays OFF. Five minutes after the last occupancy detection, the lights stay off and the sensor reverts to the automatic-on mode.
  - When the load is turned OFF manually, pressing the switch again turns the load ON and the sensor reverts to the automatic-on mode.
  - Once the sensor returns to automatic-on mode, either the switch or occupancy detection can turn the load ON.

**Visit our website for FAQs: [www.wattstopper.com](http://www.wattstopper.com)**

## TROUBLESHOOTING



**CAUTION**



**TURN POWER OFF AT THE CIRCUIT BREAKER  
BEFORE WORKING WITH OR NEAR HIGH VOLTAGE.**

*Lights do not turn on with occupancy, and the following condition exists:*

- **Both LEDs do not flash:**
  1. Check that the circuit breaker has been turned back on.
  2. Check all sensor and power pack wire connections.
  3. Check for 24V input to the sensor.
    - If 24V is present, replace the sensor.
    - If 24V is not present, check that high voltage is present to power pack. If it is, replace power pack.
- **Red LED does not flash:**

When power is initially applied to the sensor, there is a warm-up period of up to 30 seconds before the red LED is active.

  1. Make sure that PIR Sensitivity is set to 100% (DIP switch #8 set to on).
  2. If it still does not flash, call 800.879.8585 for Technical Support.
- **Green LED does not flash:**
  1. The Ultrasonic Sensitivity setting may need to be increased.  
Turn clockwise as needed.
- **Both LEDs flash:**
  1. If the sensor's Light Level feature has been turned on, the lights connected to the Light Level Output might be held off because of the level of ambient light in the controlled area. To test whether the Light Level adjustment is the problem, cover the area around the green LED (see diagram) with your hand to see if the lights turn on. If the lights turn on, the Light Level setting was keeping the lights off (see, "Sensor Adjustment" for readjustment).
  2. Check all sensor and power pack wire connections.
  3. Check for 24VDC at the power pack's blue wire connection to sensor while sensor is activated. If there is no voltage, replace the sensor. If there is voltage, replace the power pack.

**Call 800.879.8585 or 972.578.1699 for Technical Support**

***Lights do not turn off automatically:***

1. One or both of the sensor technologies (PIR or ultrasonic) may be experiencing activations from outside the controlled area or from some type of interference (see “Unwanted Sensor Activations” below).
2. Check all sensor and power pack wire connections.
3. Disconnect power pack’s blue wire:  
If the lights do not turn off, replace power pack. Reconnect blue wire.  
If the lights turn off, the problem may be in the sensor—to check:  
Reconnect the blue wire.  
Turn sensitivity and time delay to minimum and allow the sensor to time out.  
If the lights turn off, the sensor is working properly (see number 1, above, and “Sensor Adjustment” for readjustment of sensor).

***Unwanted Sensor Activations (LED flashes):***

- ***Possible causes***
  1. Improper sensor location or inadequate masking causing detection outside of desired coverage area.
  2. The ultrasonic sensitivity may be too high.
  3. The PIR sensitivity may be set too high.
  4. Sensor located too close to HVAC or VAV vents with heavy air flow.
- ***Possible solutions***
  1. Reduce the ultrasonic sensitivity (counterclockwise) as needed (see “Sensor Adjustment”).
  2. Mask the lens to reduce PIR coverage (see “Masking the PIR Lens”, under “Placement Guidelines”).
  3. Change the logic configuration setting, see “DIP Switches.”
  4. Relocate the sensor.

**Override**

To override all sensor functions, set the Ultrasonic Sensitivity trimpot to the fully counterclockwise (Override) position.

This bypasses the occupancy and light level control functions of the sensor, but still allows the lights to be manually controlled with a light switch, if one is installed.

**Visit our website for FAQs: [www.wattstopper.com](http://www.wattstopper.com)**

## ORDERING INFORMATION

Catalog #	Description
DT-300	Dual Technology Occupancy Sensor, 360° Low Voltage w/Isolated Relay and light level sensor
DT-305	Dual Technology Occupancy Sensor, 360° Low Voltage
BZ-100	Power Pack: 120/277VAC, 60Hz, 150mA, 20A ballast or incandescent, 1HP@120/240VAC
B120E-P	Power Pack: 120VAC, 60Hz, 150mA, 20A ballast/13A incandescent
B230E-P	Power Pack: 230VAC, 50/60Hz, 150mA 20A ballast/13A incandescent
B277E-P	Power Pack: 277VAC, 60Hz, 150mA, 20A ballast
B347D-P	Power Pack: 347VAC, 60Hz, 150mA. 15A ballast
S120/277/347E-P	Auxiliary Relay Pack: 120/277VAC, 60Hz, 20A Ballast 347VAC, 60Hz, 15A Ballast

All sensors are white.

B series power packs supply power for up to 2 DT-300 sensors.

BZ series power packs supply power for up to 3 DT-300 sensors.

## WARRANTY INFORMATION

The Watt Stopper, Inc. warrants its products to be free of defects in materials and workmanship for a period of five years. There are no obligations or liabilities on the part of The Watt Stopper, Inc. for consequential damages arising out of or in connection with the use or performance of this product or other indirect damages with respect to loss of property, revenue, or profit, or cost of removal, installation or reinstallation.

***The Watt Stopper®***

***Putting a Stop to Energy Waste®***

2800 De La Cruz Boulevard, Santa Clara, CA 95050

Technical Support: 800.879.8585 • 972.578.1699

[www.wattstopper.com](http://www.wattstopper.com)

02833r2 07/2004