

# Single Meter Sockets - With Safety Socket Bypass

## 100 & 200 Amp



117TB (closed)



117TB (open)

### Application

- Safety socket bypass (test block bypass) under separate cover
- Receive ANSI C12.10 watt-hour meters
- Surface mount

### Construction

- Ring type
- NEMA Type 3R
- ANSI 61 gray painted finish
- Aluminum snap ring included



### Standards

- UL 414 Listed
- ANSI C12.7
- EUSERC 304 & 305

### Accessories

- 5th Jaw Kit - 50371
- Bussed Gutters - see page 50
- AW Hubs

Single Meter Sockets  
With Safety Socket Bypass

Part/UPC Number	Catalog Number	Amp Rating	Jaws	Service Type	Access	Bypass	Connections		
							Line	Load	Neutral
78205147005	114 TB *	100	4	1Ø/3W	OH/UG	TB	#14 - 2/0	14 - 2/0	#14 - 1/0
78205147025	115 TB *	100	5	3Ø/3W	OH/UG	TB	#14 - 2/0	14 - 2/0	#14 - 1/0
78205147030	117 TB *	100	7	3Ø/4W	OH/UG	TB	#14 - 2/0	14 - 2/0	#14 - 1/0
78205159005	124 TB **	200	4	1Ø/3W	OH/UG	TB	#6 - 250 MCM	#6 - 250 MCM	1/0 - 250 MCM
78205159025	125 TB **	200	5	3Ø/3W	OH/UG	TB	#6 - 250 MCM	#6 - 250 MCM	1/0 - 250 MCM
78205159035	127 TB **	200	7	3Ø/4W	OH/UG	TB	#6 - 250 MCM	#6 - 250 MCM	1/0 - 250 MCM

Part/UPC Number	Catalog Number	Overall Dimensions			Top Provision	Knockout Layout
		Height	Width	Depth		
78205147005	114 TB *	24"	12"	4 <sup>5</sup> / <sub>8</sub> "	AW Hub	Fig. 1
78205147025	115 TB *	24"	12"	4 <sup>5</sup> / <sub>8</sub> "	AW Hub	Fig. 1
78205147030	117 TB *	24"	12"	4 <sup>5</sup> / <sub>8</sub> "	AW Hub	Fig. 1
78205159005	124 TB **	30"	14"	6"	AW Hub	Fig. 2
78205159025	125 TB **	30"	14"	6"	AW Hub	Fig. 2
78205159035	127 TB **	30"	14"	6"	AW Hub	Fig. 2

\* 100 Amp units compliant with EUSERC 304

\*\* 200 Amp units compliant with EUSERC 305

Data subject to change without notice. Consult local utility for area acceptance. All dimensions are in inches.

# Single Meter Sockets - With Safety Socket Bypass

100 & 200 Amp

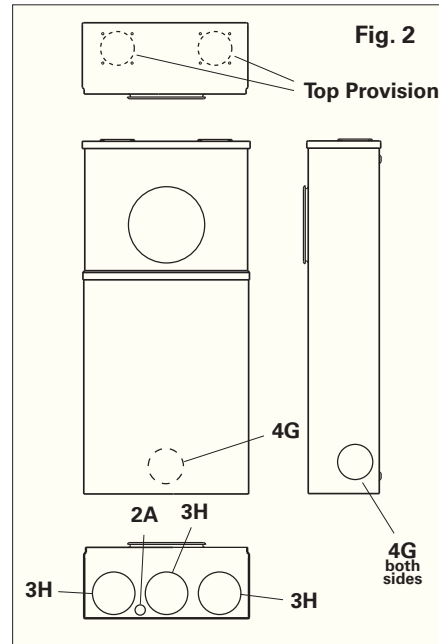
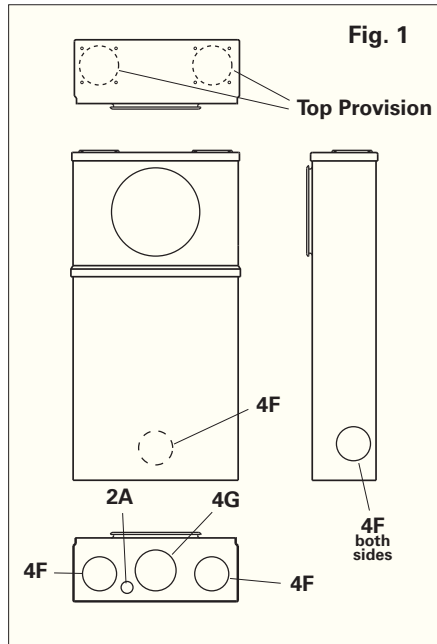
Style #	Suffixes
114 TB	<b>F</b> - Flush Mount
115 TB	<b>MS20</b> - Ring Protector
117 TB	<b>MS28</b> - Barriers on both sides of test block
124 TB	<b>SS</b> - Stainless Steel 304 *
125 TB	<b>SS6</b> - Stainless Steel 316 *
127 TB	

## Knockouts - Conduit Sizes

2A = 1/2" - 1/4"  
 4F = 2" - 1 1/2" - 1 1/4" - 1"  
 4G = 2 1/2" - 2" - 1 1/2" - 1 1/4"  
 3H = 3" - 2 1/2" - 2"  
 Top Provision = See Chart

\* Knockouts and top provisions are not available in Stainless Steel (SS) finish

## Knockout Layouts



Single Meter Sockets  
 With Safety Socket Bypass