

WIREMOLD

 legrand®

5400 Nonmetallic Raceway

Nonmetallic Raceway with Twin Snap™ Cover System

Available Factory Prewired



The 5400 Series Raceway from The Wiremold Company provides wire and cable management for data, voice, video, and power applications. For school and office applications, this is an ideal solution for providing flexibility and accessibility of wire and cable.

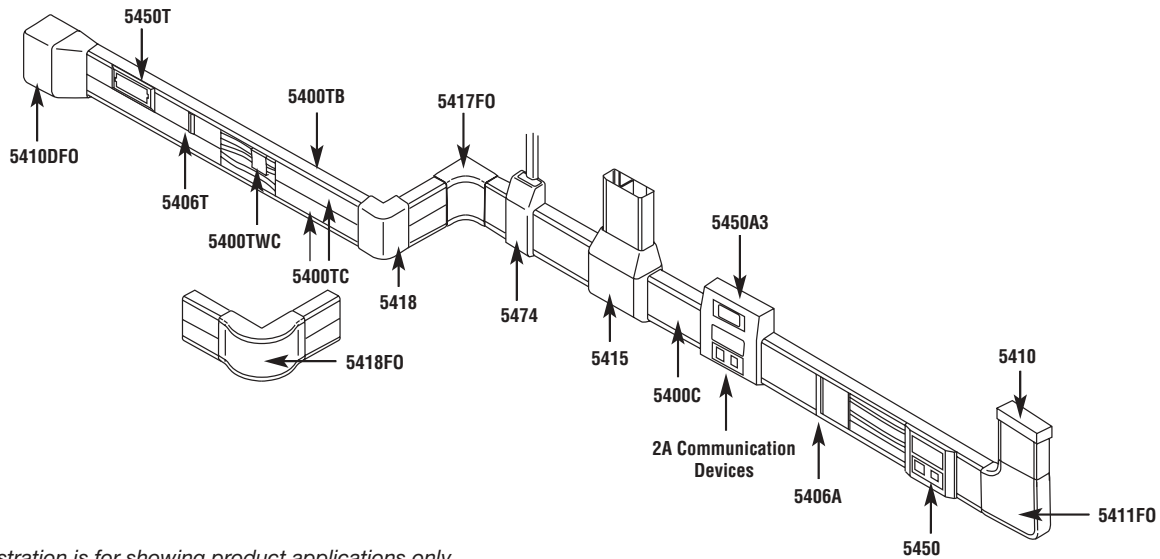


5400TB

Features & Benefits

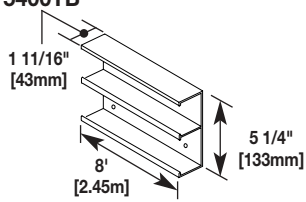
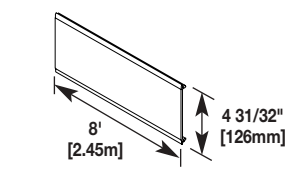
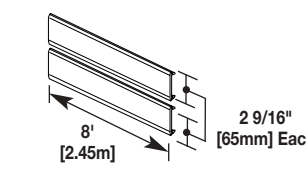
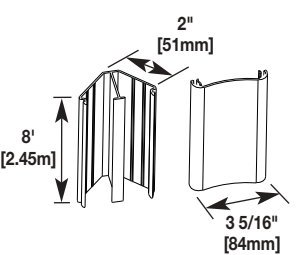
- **2" [51mm] FiberReady® fittings.** The FiberReady Series of fittings snap on to overlap raceway base and cover for an aesthetic installation. Fittings are UL verified for a 2" [51mm] bend radius and exceed the recommendations of TIA/EIA 569-A. They provide cable protection in lay-in and pull through cable installations.
- **Twin Snap cover.** Complete segregation of access to power and low voltage services for installation flexibility.
- **Large cable capacity in a low profile design.** Accommodates needs now and in the future.
- **Device mounting in-line, offset or both.** Offers flexibility and up to three separate services at the same location.
- **Made of PVC material.** Lightweight and easy to cut. Meets UL flammability requirements. UL Listed for up to 600V.
- **Ivory and white finish.** Blends with any decor. Consult factory for custom colors. Paintable using latex paint.
- **5450-ORAP Bracket accommodates wireless.** Designed for use with Ortronics® Wi-Jack™ Wireless Access Points.
- **Corner drop feed.** Provides aesthetically pleasing means for feeding horizontal runs of raceway.
- **5400 Available prewired.** Manufactured to specified job site lengths, raceway comes completely prewired, ready to install. Jobs can be packaged by area, floor, or building and shipped per job site requirements.
- **Electrical device identification for prewired jobs.** Eliminates guesswork and circuit tracing to speed additions and renovations.
- **Datacom connectivity options.** Accepts industry standard and proprietary devices from a wide range of manufacturers to provide a seamless and aesthetically pleasing interface for voice, data, audio, and video applications at the point of use.
- **c(UL)us Listed.**

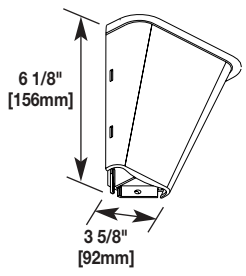
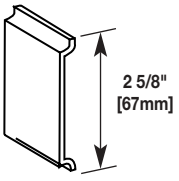

5400 System Layout



NOTE: Illustration is for showing product applications only.

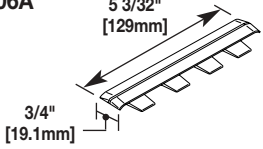
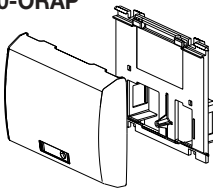
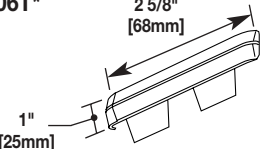
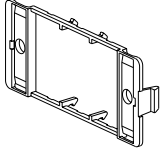
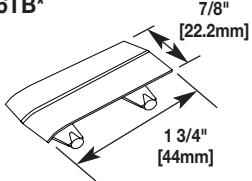
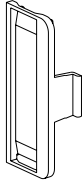
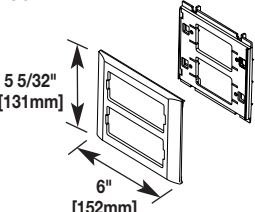
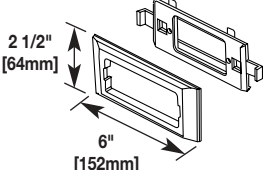
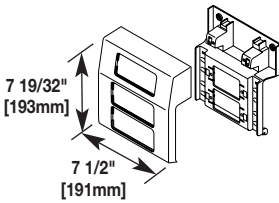
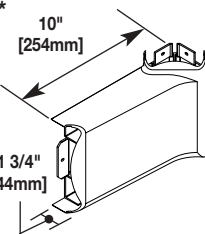
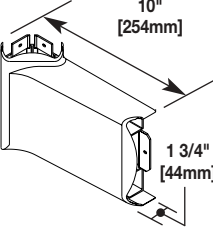
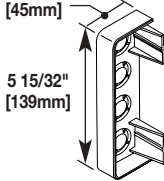
5400 Raceway

Catalog No./Item	Description/Specifications
5400TB* 	Two-Compartment Base – Two equal compartments. Base accepts single or Twin Snap Cover.
5400C* 	Full Width Cover – Use with 5400TB.
5400TC* 	Twin Snap Cover – Use with 5400TB in Twin Snap applications. Order cover for each compartment.
MXN2A08* 	Corner Drop Raceway Base and Cover – Used as a vertical corner feed drop to horizontal run of 5400 or CableSmart™ Series Raceways. Two compartments. Packaged with base and cover.

Catalog No./Item	Description/Specifications
MXN2F21* 	Entrance End Fitting – For feeding corner drop raceway from larger conduits. Has concentric 3/4", 1", and 1 1/2" trade size KOs.
5400TWC 	Twin Snap Cover Wire Clip – Retains wires in raceway.
MXN2FWC 	Wire Clip – Retains wires in MXN2A08 Corner Drop.

*Add "WH" suffix for White finish.

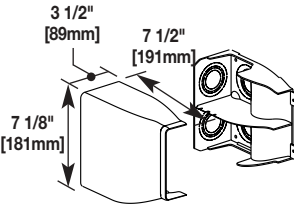
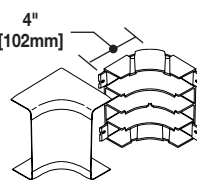
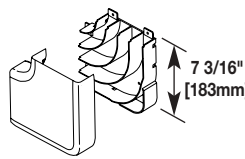
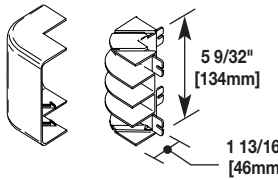
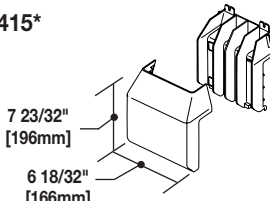
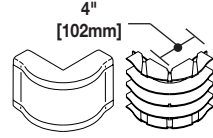
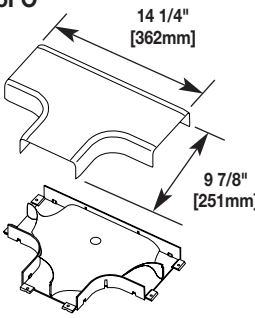
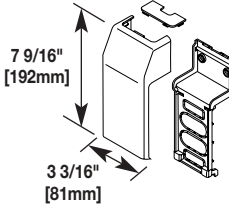
5400 Raceway Fittings

Catalog No./Item	Description/Specifications	Catalog No./Item	Description/Specifications
5406A* 	Cover Clip – Covers seam between sections of 5400C.	5450-ORAP 	Ortronics Wireless Bracket – Used to mount Ortronics® Wi-Jack™ Wireless Solution to 5400 Series Raceway.
5406T* 	Twin Snap Cover Clip – Covers seam between sections of 5400TC.	CM-EPLA* 	End Plates – Includes two outlet identification labels with clear covers and two matching screw covers. Required for mounting Pass & Seymour Activate and Wiremold Open System communication modules into 5450 Series device brackets.
5406TB* 	Base Seam Clip – Covers side seam where two sections of 5400 Series Raceway Base come together.	S2-EPL* 	End Plates – Includes two outlet identification labels with clear covers and two matching screw covers. Required for mounting Ortronics Series II modules into 5450 Series device brackets.
5450* ** 	Device Bracket – For mounting power and communication devices in-line with 5400 Series Raceway. For use with: <ul style="list-style-type: none"> • 5507 Series Faceplates • Ortronics® TracJack & Series II Modules • Pass & Seymour Activate Series Inserts • Wiremold Open System Communication Modules 	<div style="background-color: #0056b3; color: white; padding: 2px; margin-bottom: 2px;">ORT</div> <div style="background-color: #0056b3; color: white; padding: 2px; margin-bottom: 2px;">P&S</div> <div style="background-color: #0056b3; color: white; padding: 2px;">OPEN</div>	
5450T* ** 	Twin Snap Cover Device Bracket – For power or communication devices in a single compartment. For use with: <ul style="list-style-type: none"> • 5507 Series Faceplates • Ortronics® TracJack & Series II Modules • Pass & Seymour Activate Series Inserts • Wiremold Open System Communication Modules 	<div style="background-color: #0056b3; color: white; padding: 2px; margin-bottom: 2px;">ORT</div> <div style="background-color: #0056b3; color: white; padding: 2px; margin-bottom: 2px;">P&S</div> <div style="background-color: #0056b3; color: white; padding: 2px;">OPEN</div>	
5450A3* ** 	Three Device Mounting Bracket – For mounting power and communication devices in-line and offset from 5400 Series Raceway. For use with: <ul style="list-style-type: none"> • 5507 Series Faceplates • Ortronics® TracJack & Series II Modules • Pass & Seymour Activate Series Inserts • Wiremold Open System Communication Modules 	<div style="background-color: #0056b3; color: white; padding: 2px; margin-bottom: 2px;">ORT</div> <div style="background-color: #0056b3; color: white; padding: 2px; margin-bottom: 2px;">P&S</div> <div style="background-color: #0056b3; color: white; padding: 2px;">OPEN</div>	
		5408L* 	Transition Fitting – For transitioning from MXN2A08 Corner Drop to a horizontal run of 5400 Series Raceway to the left.
		5408R* 	Transition Fitting – For transitioning from MXN2A08 Corner Drop to a horizontal run of 5400 Series Raceway to the right.
		5410* 	End Cap – Closes off end runs of 5400 Series Raceway and has four 1/2" trade size KOs for end feed.

* Add "WH" suffix for White finish

** CM-EPLA End Plates are required when using Wiremold Open System communication modules and Pass & Seymour Activate inserts. S2-EPL End Plates are required when using Ortronics Series II modules. To mount Ortronics TracJack modules, use 5507-4TJ or 5507-6TJ Faceplates.

5400 Raceway Fittings (Continued)

Catalog No./Item	Description/Specifications	Catalog No./Item	Description/Specifications
5410DFO* 	Divided Entrance End Cap – FiberReady® divided fitting to feed 5400TB Series Raceway. Includes 1", 1 1/4", 1 1/2", and 2" trade size KOs on back and top.	5417FO* 	FiberReady 2" [51mm] Radius Full Capacity Internal Elbow – A full capacity 90° internal corner with integral dividers that provides 2" [51mm] cable bend radius for UTP and Fiber Optic installations. Ideal for lay-in or pull-through installations.
5411FO* 	FiberReady 2" [51mm] Radius Full Capacity Flat Elbow – A full capacity 90° flat corner with integral dividers to provide 2" [51mm] cable bend radius for UTP and Fiber Optic installations. Ideal for lay-in or pull-through installations.	5418* 	External Elbow – Connects raceway around external corners.
5415* 	Tee – For branching raceway at right angles.	5418FO* 	FiberReady 2" [51mm] Radius Full Capacity External Elbow – A full capacity 90° external corner with integral dividers that provide 2" [51mm] cable bend radius for UTP and Fiber Optic installations.
5415FO* 	FiberReady 2" [51mm] Radius Full Capacity Tee – For branches at right angles. A full capacity tee fitting that provides separation of services and 2" [51mm] cable bend radius for UTP and Fiber Optic installations.	5474* 	Transition Tap Fitting – Makes transition from 5400 Raceway to the 400, 800, 2300, PN03, PN05, and PN10 Series Raceways.

*Add "WH" suffix for White finish.



A full line of fittings are available for fast and easy installations.

5507 Series Faceplates

Catalog No./Item	Description/Specifications		Catalog No./Item	Description/Specifications	
5507AD*	Modular Furniture Adapter – <ul style="list-style-type: none"> For mounting Activate modular furniture bezel and other modular furniture adapters. 	ORT P&S OPEN	5507T2*	Single Receptacle Faceplate – For covering single receptacles – 1.41" [36mm] diameter.	
5507B*	Blank Faceplate – For covering unused compartments in the device bracket.		5507RJ*	Dual RJ11/RJ45 Connector Faceplate – <ul style="list-style-type: none"> For mounting one or two RJ type connectors – has one opening and a KO for the other. 	ORT P&S OPEN
5507D*	Duplex Faceplate – For covering duplex style devices. <ul style="list-style-type: none"> Accepts 106 Frame. 	ORT P&S OPEN	5507FRJ*	Flush Dual RJ11/RJ45 Connector Faceplate – Same as 5507RJ except the connectors are recessed to provide a flush installation.	ORT P&S OPEN
5507R*	Rectangular Faceplate – For covering rectangular style devices.		5507-4TJ*	Ortronics® Faceplate – For mounting Ortronics datacom inserts. <ul style="list-style-type: none"> Accepts four TracJack Devices. 	ORT P&S OPEN
5507S*	Rectangular Spacer – For mounting commercial device plates. Installs between the device bracket and a device.		5507-6TJ*	Ortronics® Faceplate – For mounting Ortronics datacom inserts. <ul style="list-style-type: none"> Accepts six TracJack Devices. 	ORT P&S OPEN
5507SW*	Switch Faceplate – For covering standard toggle switches.				
5507T1*	Single Receptacle Faceplate – For covering single receptacles – 1.59" [40mm] diameter.				

NOTE: All face plates have a standard measurement of 4 1/4" x 1 7/8" [108mm x 34mm].

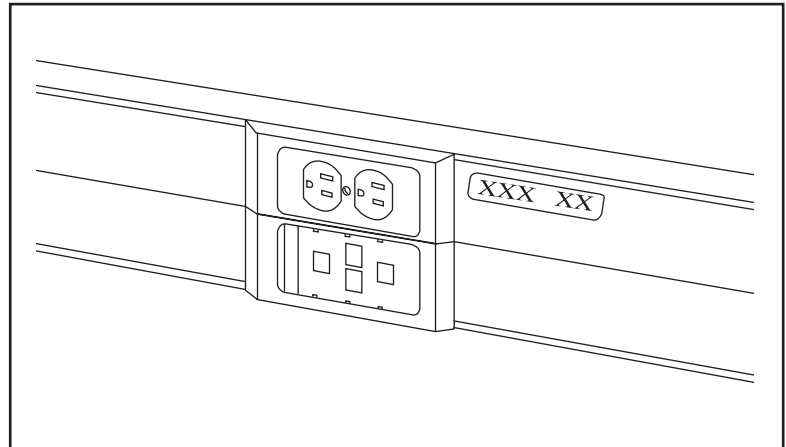
* Add "WH" suffix for White finish.

5400 Twin Snap Nonmetallic Prewired Raceway Features

Features	Standard	Options
Communication Devices	Ortronics or Pass & Seymour Activate™ Connectivity System Devices	Other manufacturers
Electrical Devices	Pass & Seymour	Other manufacturers and some International devices
Base Length	Longest = 8' [2.4m], shortest = 1' [305mm]	–
Finish	PVC – White or Ivory	Custom colors
Wire Type	THHN Stranded	Options per specification
Wiring Splices	Insulation displacement connectors	Continuous wiring or twist-on wire connector
Grounding Conductors	Wire gauge per National Electrical Code (NEC) and shared grounding wires	Oversized and/or separate grounding wires
Device Identification	Gray self-adhesive polyester label with black letters	Self-adhesive engraved nameplate
Neutrals	Shared neutral	Oversized and/or separate neutral wires
Pigtails	1' [305mm] feeds and receptacle leads	Per specification
Conduit Feeds	Raceway drilled at job site	Entrance end cap
Record Drawings	3 sets and 2 copies of marked-up blueprints	Per job requirements
Submittal Services	Detailed Submittal	Submittal Free

Device and Raceway Labeling Detail for Prewired Applications

- Device labeling is available in the following materials:
 - Gray self-adhesive polyester label with black lettering (standard).
 - Other color self-adhesive polyester labels.
 - Engraving of covers with black lettering.
 - Engraved phenolic nameplates with adhesive backing.
- The back of the raceway is labeled with the raceway number and the room or area number(s).
- Data and power requirements can be switched with data on top and power on bottom.



5400 Twin Snap Ordering Specifications for Prewired Applications

Two options available when ordering a prewired job:

- 1. Detailed Submittal** The detailed submittal will show exactly how each raceway run will be built including lengths, number and type of receptacles, wiring schematics, circuiting information, etc. The contractor and/or distributor must review, clarify any information not clearly indicated on the drawings or specs, approve, and return to the factory before production can begin.
- 2. Submittal Free** The Wiremold Prewired Express™ Building Plan Checklist is filled out by the contractor or distributor and sent along with plans, casework, and specs to the factory. No submittal is required and the project is scheduled for production upon receipt of all necessary information.

Wire Fill Capacity Charts

5400 Raceway Wire Fill for Power

	WIRE SIZE CABLE/WIRE SIZE	O.D. (Approx. Dia.)		NO. OF CONDUCTORS COMP. A*
		Inches	[mm]	
POWER WIRING WITHOUT DEVICES	14 AWG	0.111	[2.8]	50
	12 AWG	0.130	[3.3]	34
	10 AWG	0.164	[4.2]	60
	8 AWG	0.216	[5.5]	21
	6AWG	0.254	[6.5]	19
POWER WIRING WITH DEVICES	14 AWG	0.111	[2.8]	50
	12 AWG	0.130	[3.3]	34
	10 AWG	0.164	[4.2]	60
	8 AWG	0.216	[5.5]	21
	6 AWG	0.254	[6.5]	19

5400 Raceway Wire Fill for Communications

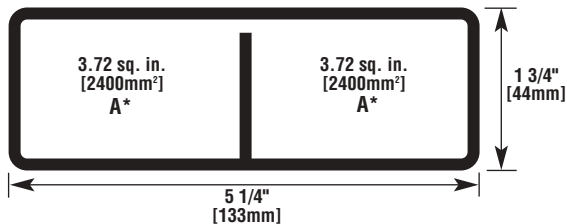
	CABLE/WIRE SIZE	O.D. (Approx. Dia.)		20% FILL**	40% FILL†
		Inches	[mm]	A	A
UNSHIELDED TWISTED PAIR	4-pair, 24 AWG Cat 3	0.190	[4.8]	26	52
	4-pair, 24 AWG Cat 5e	0.210	[5.3]	21	42
	4-pair, 24 AWG Cat 6	0.250	[6.3]	15	30
TELEPHONE	2-pair, 24 AWG	0.140	[3.6]	48	96
	3-pair, 24 AWG	0.150	[3.8]	42	84
	4-pair, 24 AWG	0.190	[4.8]	26	52
	25-pair, 24 AWG	0.410	[10.4]	5	11
COAXIAL	RG58/U	0.195	[5.0]	24	48
	RG59/U	0.242	[6.1]	16	32
	RG62/U	0.242	[6.1]	16	32
	RG6/U	0.270	[6.9]	13	26
TWINAXIAL	100 Ohm	0.330	[8.4]	8	17
SHIELDED TWISTED PAIR	TYPE 1	0.390	[9.9]	6	12
	TYPE 2	0.465	[11.8]	4	8
	TYPE 3	0.245	[6.2]	15	31
FIBER	Mini ZipCord	0.079 x 0.157	[2 x 4]	60	120
	ZipCord	0.118 x 0.236	[3 x 6]	26	53
	Round 4 Strand Fiber	0.187	[4.8]	27	54
	Round 6 Strand Fiber	0.256	[6.5]	14	28

* Maximum wire fill capacity is stated per single compartment for power or total of both compartments when used only as a power raceway.

** 20% cable fill is calculated to approximate reduction in cable capacity due to connectors mounted within raceway and fittings that may restrict cross sectional area.

† 40% cable fill is the maximum designed cable fill based on a proposed revision to TIA/EIA 569-A.

**Total Raceway Capacity is
7.31 sq. in. [4716mm²]**



Datacom Connectivity Options

Now you have a wide range of options for providing datacom connectivity into Wiremold® Cable Management Systems. They are:

- Ortronics® TracJack® and Series II Modular Connectivity Solutions
- Pass & Seymour Activate™ Modular Inserts
- Open System Communication Modules

ORT	ORT	ORT
P&S	P&S	P&S
OPEN	OPEN	OPEN

Use these icons to determine connectivity options for each Wiremold System component:

ORT
P&S
OPEN

Ortronics® Connectivity

TracJack® Individual Jack System

- Front-loading, snap-in design supports future moves adds and changes
- Inserts for voice, data, audio, and video
- Available Category 3, 5e, 6, USOC 6-position, and other media
- Flat or angled 45° exit configurations
- Choice of 13 colors and color matched to Wiremold Systems
- Universal T568A/B wiring format



Series II Front-Loading, Module System

- Module design features easy snap-in front-loading design
- Linear 110 punch down format for easy termination
- Inserts for voice, data, audio, and video
- Available Category 3, 5e, 6, USOC 6-position, and other media
- Available in flat or angled 45° exit configurations
- Color matched to Wiremold Systems



For detailed product selection refer to the Ortronics Catalog or visit www.ortronics.com.

ORT
P&S
OPEN

Pass & Seymour Legrand Network Wiring

Activate™ Series Front-Loading Inserts

- Modular inserts for voice, data, audio and video applications
- Front-load, snap-in design
- Color and texture matched to Wiremold Systems
- Available Category 3, 5e, 6, as well as 6-position USOC
- Universal T568A/B wiring format



For detailed product selection refer to the Pass & Seymour Network Wiring Catalog or visit www.passandseymour.com.

ORT
P&S
OPEN

Open Connectivity Solutions

Wiremold Open System Communications Modules

- Accommodate a wide range of manufacturers' communications outlets including keystone jacks, as well as proprietary solutions from Avaya (Lucent) and NORDX
- Modules insert into a wide range of Wiremold Systems
- Pre-punched faceplates accept common communication devices



NOTE: For more information on integrating connectivity into Wiremold Cable Management Systems contact the Wiremold Applications Engineering Team or your local Wiremold Sales Representative.

WIREMOLD



Wiremold / Legrand

U.S. and International:

60 Woodlawn Street • West Hartford, CT 06110

1-800-621-0049 • FAX 860-232-2062 • Outside U.S. 860-233-6251

Canada:

570 Applewood Crescent • Vaughan, Ontario L4K 4B4

1-800-723-5175 • FAX 905-738-9721

