

Single Pole Devices and Temporary Power

150A, 600V AC/250V DC

Female Receptacles

HUBBELL

Ordering Information

Description	Device Color	UPC	Catalog Number
Double Set Screw type, 150A Panel Mount, thermoplastic	White	783585458182	HBL15FRW

Standards

UL and cUL Listed
UL Enclosure Types 3R, 4X, 12
National Electric Code (NEC), ANSI/NFPA 70

Specifications

Base Compound	Thermoplastic Elastomer (TPE)
Contact Material	Brass
Retaining Screw Material	Nylon
Mounting Hole	3x \varnothing .20"
Termination	(2) 5/32 Socket Head Set Screws

Performance

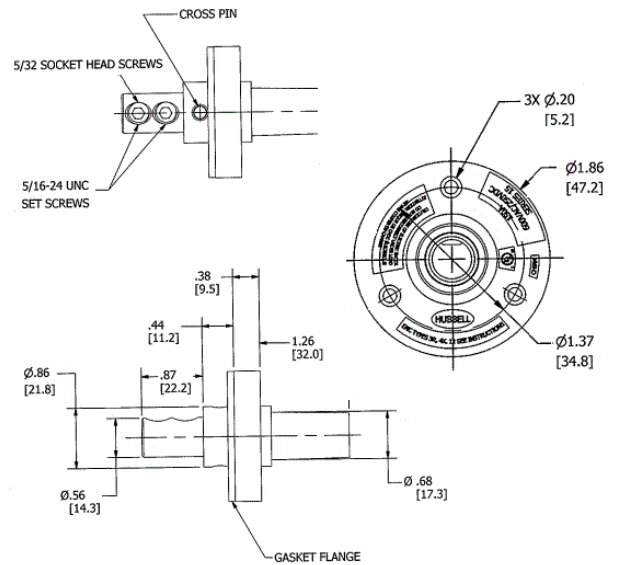
Electrical	
Amperage Rating	150A Maximum
Voltage Ratings	600V AC Maximum; 250V DC Maximum

Mechanical

Product Identification	Ratings are a permanent part of device
Terminal Accommodation	#8 to #2 AWG

Online Resources

eCatalog



Dimensions in Inches (mm)

Hubbell Wiring Device-Kellems • Hubbell Incorporated (Delaware) • 40 Waterview Drive • Shelton, CT 06484

Phone (800) 288-6000 • Fax (800) 255-1031 • Specifications subject to change without notice.

