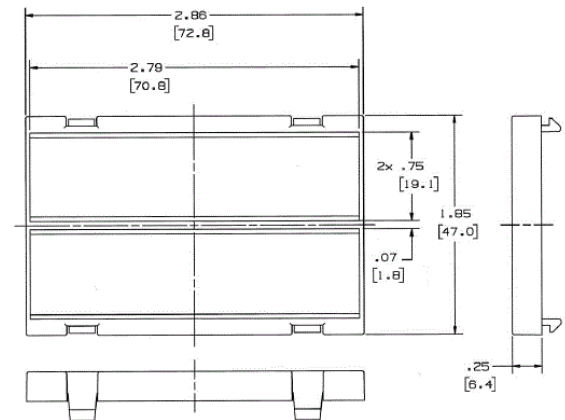


Floor Boxes
Sub-Plate Accessories
6-Port Replacement Data Frames

HUBBELL

Ordering Information

Description	Device Color	UPC	Catalog Number
Ortronics TracJack®	Black	783585371443	S1DFTRAC



Online Resources

[Customer Use Drawing](#)
[eCatalog](#)

Dimensions in Inches (mm)

Hubbell Wiring Device-Kellems • Hubbell Incorporated (Delaware) • 40 Waterview Drive • Shelton, CT 06484

Phone (800) 288-6000 • Fax (800) 255-1031 • Specifications subject to change without notice.

