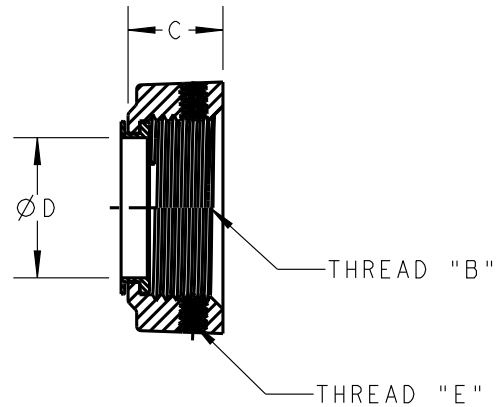
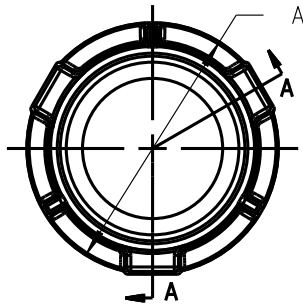




# Steel City



SECTION A-A

MATERIAL:

BUSHING : SEE TABLE  
 INSULATOR : THERMO PLASTIC  
 TEMPERATURE RATING -105°C

FINISH: ZINC PLATED

T&B CAT NO.	Ø A [ IN ]	B NPSM THREAD	C [ IN ]	Ø D		E UNC THREAD	MATERIAL
				MIN [ IN ]	MAX [ IN ]		
BI 901	1.13	1/2"-14	.56	.560	.622	#10-24	MALLEABLE IRON
BI 902	1.40	3/4"-14	.56	.742	.824	#10-24	MALLEABLE IRON
BI 903	1.75	1"-11 1/2	.66	.944	1.049	#10-24	MALLEABLE IRON
BI 904	2.12	1 1/4"-11 1/2	.66	1.242	1.380	#10-24	MALLEABLE IRON
BI 905	2.34	1 1/2"-11 1/2	.72	1.449	1.610	#10-24	MALLEABLE IRON
BI 906	2.73	2"-11 1/2	.72	1.860	2.067	#10-24	DUCTILE IRON
BI 907	3.25	2-1/2" -8	.94	2.222	2.469	1/4" -20	DUCTILE IRON
BI 908	3.86	3" -8	.94	2.761	3.068	1/4" -20	DUCTILE IRON
BI 909	4.38	3-1/2" -8	.94	3.193	3.548	1/4" -20	DUCTILE IRON
BI 910	4.88	4" -8	.94	3.623	4.026	1/4" -20	DUCTILE IRON

**GENERAL NOTES**

- ALL DIMENSIONS ARE FOR REFERENCE ONLY.
- DIMENSIONS IN BRACKETS [ ] ARE IN METRIC UNITS.

www.tnb.com

**Thomas & Betts**  
 A Member of the ABB Group

**REVISIONS**

- |   |   |
|---|---|
| 1 | SEE ERN ( 2017740 )<br>FOR APPROVAL SIGNATURES<br>& RELEASE DATE.<br>PROJECT NO: RM401892 |
|---|---|

DESCRIPTION:

**CONDUIT BUSHING  
 WITH INSULATOR**

ORIGINAL PROJECT NO / ( ERN NO )

SHEET NO:

REV. NO:

DRAWING NO:

117P000680 / ( 2016374 )

1 OF 1

1

WSD-001490