

XJG EMT Expansion Couplings

Applications:

XJG EMT Expansion Couplings are used with EMT conduit:

- To couple together two sections of conduit subject to longitudinal movement
- In conduit runs to prevent damage to conduit supports such as in a building or on a bridge
- Indoors or outdoors in long conduit runs to permit linear movement caused by thermal expansion and contraction
- In conduit runs that cross structural joints
- On long conduit runs to prevent conduit from buckling and ensuing circuit failures

Features:

- Weatherproof and approved for use indoors or outdoors without an external bonding jumper
- Available in 1/2" through 4" trade sizes
- For use with EMT conduit
- Available in 4" maximum conduit movement
- Internal bonding springs and metallic bushings create high integrity internal ground connection and eliminate need for external bonding jumpers and clamps (up to 4" trade size)
- Optional redundant tinned copper bonding jumpers (BJ Series – ordered separately)
- UL Listed for use in wet locations
- Flat surface on gland nut provides smooth, flat surface for easy wrenching
- Distinct black gland nut provides quick identification as a wet location fitting
- Patented design

Certifications and Compliances:

- UL Standard 514B
- CSA 22.2 No. 18 3-12
- NEMA FB1
- Wet locations

Options:

Description	Suffix
• Available with redundant bonding jumper for visible indication of bonding (BJ Series)† (Order Separately)	



Standard Materials and Finishes:

Body

- Steel – electrogalvanized

Reducer & Bushing

- 1/2" through 1": steel – electrogalvanized
- 1 1/4" through 4": *Feraloy*® iron alloy – electrogalvanized and aluminum paint

Gland Nut

- Steel – black painted finish

Packing

- PTFE composite

Washer

- Steel – electrogalvanized

Gasket

- Vellum

Ground Springs

- Phosphor bronze – electrogalvanized

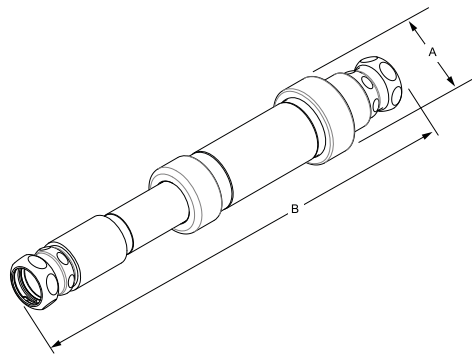
Ground Strap

- Braided tinned copper

U-bolts

- Malleable iron – electrogalvanized

Dimensions (in Inches):



Conduit Size	Max. Conduit Movement	Cat. #	Optional Bonding Jumper†	A Dia.	B Length
1/2"	4"	XJG14 EMT	BJ14	1 3/4"	10 3/4"
3/4"	4"	XJG24 EMT	BJ24	2 1/8"	11"
1"	4"	XJG34 EMT	BJ34	2 7/16"	11 1/2"
1 1/4"	4"	XJG44 EMT	BJ44	3 1/8"	15 1/4"
1 1/2"	4"	XJG54 EMT	BJ54	3 5/8"	15 1/2"
2"	4"	XJG64 EMT	BJ64	4 3/4"	15 1/2"
2 1/2"	4"	XJG74 EMT	BJ74	4 7/8"	18 3/4"
3"	4"	XJG84 EMT	BJ84	5 3/8"	19 7/8"
3 1/2"	4"	XJG94 EMT	BJ94	6 3/8"	21 1/4"
4"	4"	XJG104 EMT	BJ104	6 5/8"	21 1/4"

†XJG Expansion Couplings use a metallic bushing and ground springs to create a high integrity internal ground connection. External ground straps offer a redundant ground path and easy visible indication of ground.